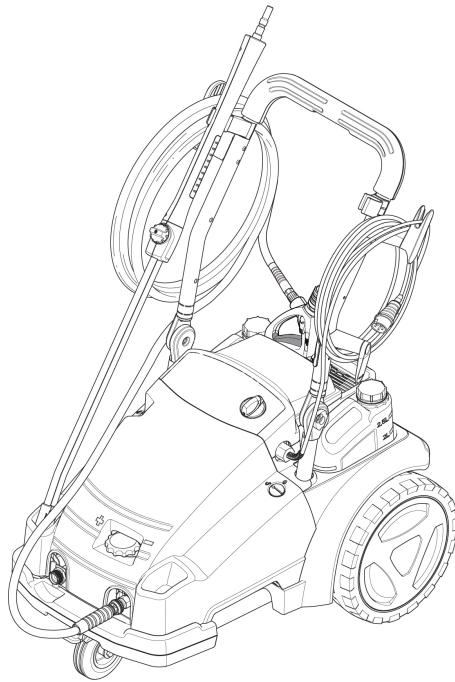


# PARTS LIST



## **heupel** Reinigungstechnik GmbH

Gottlieb Daimler Str. 6  
88214 Ravensburg

Tel: (049) 0751 - 35905-3  
Fax: (049) 0751 - 35905-59

email: [info@heupel-gmbh.de](mailto:info@heupel-gmbh.de)  
[www.heupel-gmbh.de](http://www.heupel-gmbh.de)

**Shop: [www.heupel-shop.de](http://www.heupel-shop.de)**

Heupel - Reinigungstechnik - Beratung, Verkauf, Service, alles aus einer Hand.

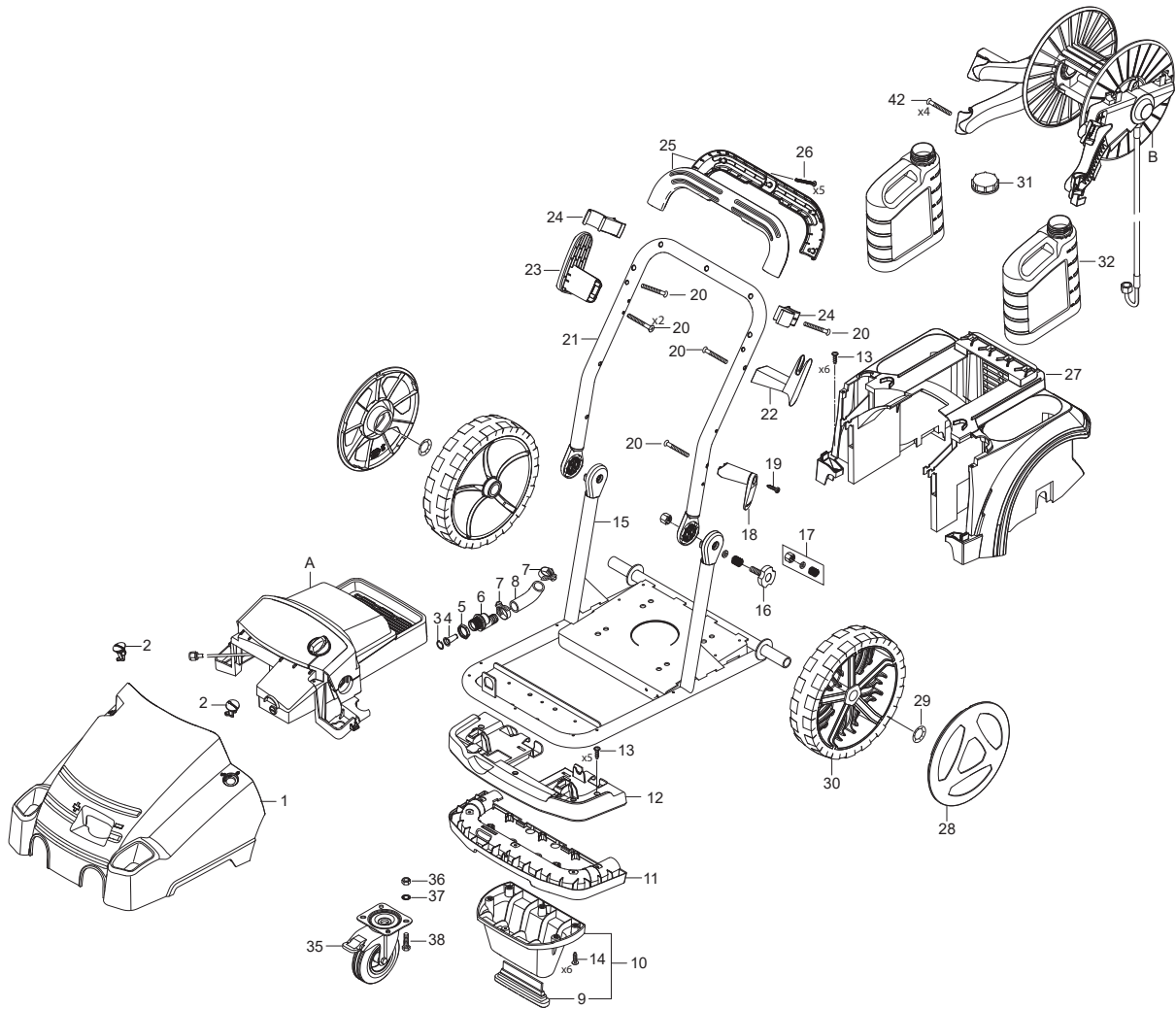
2023.10.13

# NILFISK

# TABLE OF CONTENTS

---

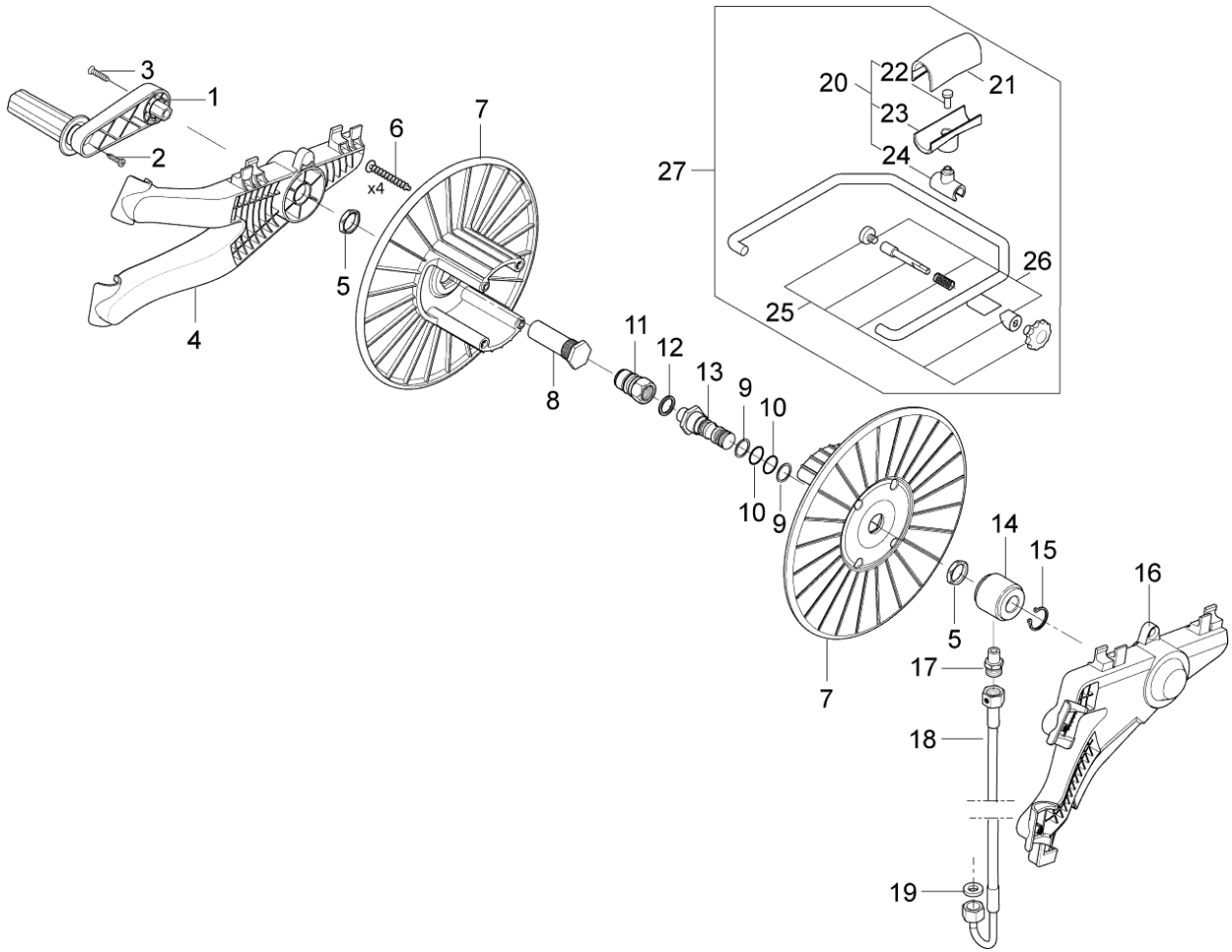
|                              |    |
|------------------------------|----|
| Overview .....               | 1  |
| Hose reel .....              | 3  |
| Electric parts .....         | 5  |
| Motor .....                  | 7  |
| Cylinder block .....         | 9  |
| Unloader FA .....            | 11 |
| 106408236 Foam sprayer ..... | 13 |
| Default accessories .....    | 15 |



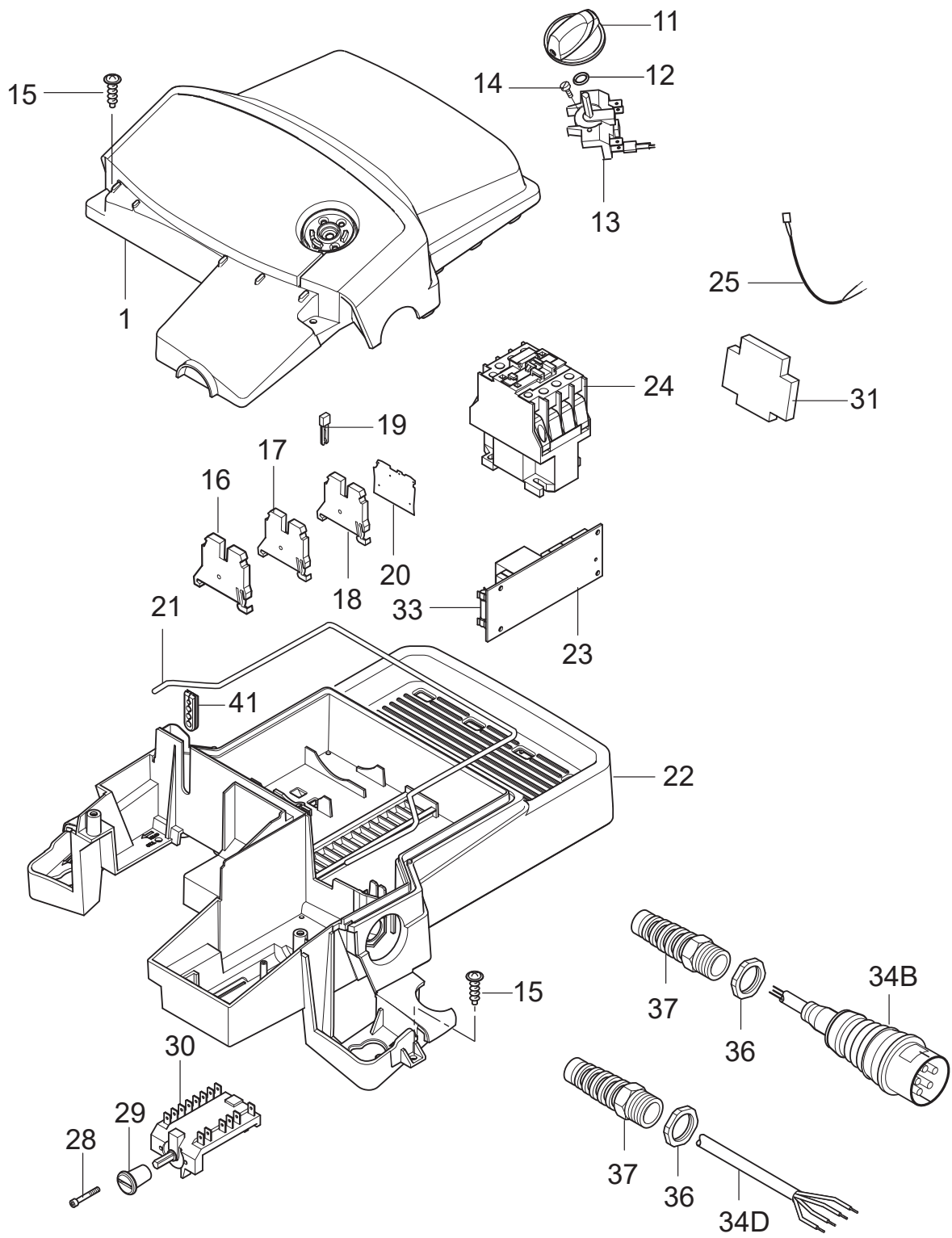
| Pos. | Artikel-Nr. | Menge | Variante                               | Notes |
|------|-------------|-------|--|-------|
| A    |             | 1     | Electric box                           | [1]   |
| B    |             | 1     | Hose reel                              | [2]   |
| 1    | 107141602   | 1     | Abdeckung Front POS 6                  |       |
| 2    | 301001261   | 2     | Verriegelung                           |       |
| 3    | 107141667   | 1     | Sicherungsring                         |       |
| 4    | 101117926   | 1     | Sieb                                   |       |
| 5    | 1800341     | 1     | Gegenmutter 3/4                        |       |
| 6    | 107141668   | 1     | Wassereinlass                          |       |
| 7    | 23221       | 2     | Schlauchschelle SGL 20-32              |       |
| 8    | 107141697   | 1     | RUBBER ELBOW NA5/NA6 FA                |       |
| 9    | 107141615   | 1     | Stützfuß                               |       |
| 10   | 101118100   | 1     | Stütze                                 |       |
| 11   | 107141617   | 1     | Halteplatte                            |       |
| 12   | 107141618   | 1     | Halteplatte                            |       |
| 13   | 107146528   | 5     | Schraube M5X12 ISO 14583-A2 TORX       |       |
| 14   | 107141838   | 6     | SCHRAUBE K50X18 WN1451 SCHWARZ TORX 20 |       |
| 15   | 107141621   | 1     | FRAME NA6/C3                           |       |
| 16   | 107141672   | 2     | Sterngriff                             |       |
| 17   | 101118104   | 2     | Satz Befestigungsteile                 |       |
| 18   | 107141625   | 1     | KABELHALTER BEWEGLICH SCHWARZ          |       |
| 19   | 107141838   | 1     | SCHRAUBE K50X18 WN1451 SCHWARZ TORX 20 |       |
| 20   | 107141627   | 10    | SCREW K50X40 T20                       |       |
| 21   | 107141623   | 1     | Griffrohr                              |       |
| 22   | 107141632   | 1     | KABELHALTERUNG                         |       |
| 23   | 107141629   | 1     | Schlauchhalterung                      |       |
| 24   | 107141630   | 1     | Lanzenhalterung NA                     |       |
| 25   | 101118101   | 1     | Griffschale                            |       |
| 26   | 909100148   | 5     | Ejotschraube K40x30 WN 14              |       |
| 27   | 107141634   | 1     | Hinterteil                             |       |
| 28   | 107145780   | 2     | RADKAPPE FUER RAD Ø300X65              |       |
| 29   | 46363       | 2     | Klemmscheibe                           |       |
| 30   | 107145637   | 2     | RAD D300X65 (STARCO)                   |       |
| 31   | 106408247   | 2     | CAP FOR DETERGENT TANK Ø65X20.5        |       |
| 32   | 107141635   | 2     | Reinigungsmitteltank                   |       |
| 35   | 107141607   | 1     | WHEEL W. BRAKE D125                    |       |
| 36   | 1800515     | 4     | Sicherungsmutter M8                    |       |
| 37   | 1800796     | 4     | Scheibe 8,4                            |       |
| 38   | 2753        | 4     | Sechskantschraube M8x 20 ISO 4017 zn   |       |
| 42   | 107141695   | 4     | Torxschrauben K50x35                   |       |
| NS   | 107140982   | 1     | 10 PCS OF BOXES FOR PACKAGING          |       |

Part Notes:

- [1] - Electric parts
- [2] - Hose reel



| Pos. | Artikel-Nr. | Menge | Variante                               | Notes |
|------|-------------|-------|--|-------|
| 0    | 106403143   | 1     | Schlauchrolle Satz                     |       |
| 1    | 101118102   | 1     | Kurbel                                 |       |
| 2    | 107141838   | 1     | SCHRAUBE K50X18 WN1451 SCHWARZ TORX 20 |       |
| 3    | 107141673   | 1     | Schraube M6x45                         |       |
| 4    | 107141674   | 1     | Halter                                 |       |
| 5    | 62696       | 1     | Sechskantmutter M24x1,5x               |       |
| 6    | 909100153   | 1     | Schraube 6x40                          |       |
| 7    | 301000775   | 1     | Trommel                                |       |
| 8    | 107141675   | 1     | Achse                                  |       |
| 9    | 63792       | 2     | Stützring 16,26x2,18                   |       |
| 10   | 19620       | 2     | O-Ring 15,54x2,62                      |       |
| 11   | 1600493     | 1     | Anschlussstück                         |       |
| 12   | 1801075     | 1     | Dichtring                              |       |
| 13   | 107141676   | 1     | Anschlussstück                         |       |
| 14   | 301000977   | 1     | Lagerbuchse                            |       |
| 15   | 1802057     | 1     | Seegerring U 20 x1,2                   |       |
| 16   | 107141677   | 1     | Halter                                 |       |
| 17   | 54590       | 1     | Anschlussstück                         |       |
| 18   | 107141678   | 1     | Anschlussstück für Schlauchtrommel     |       |
| 19   | 65466       | 1     | Dichtring 8,0x15,0x1,0 DI              |       |
| 20   | 101118103   | 1     | Schlauchführung                        |       |
| 21   | 301000674   | 1     | Schlauchführung                        |       |
| 22   | 10028       | 1     | Ejotschraube KA50x14 WN1411 verz       |       |
| 23   | 301000676   | 1     | Schlauchführung                        |       |
| 24   | 107141679   | 1     | Schlauchführung                        |       |
| 25   | 101118106   | 1     | Satz Befestigungsteile                 |       |
| 26   | 101118111   | 1     | Satz Befestigungsteile                 |       |
| 27   | 101118105   | 1     | Schlauchführung                        |       |



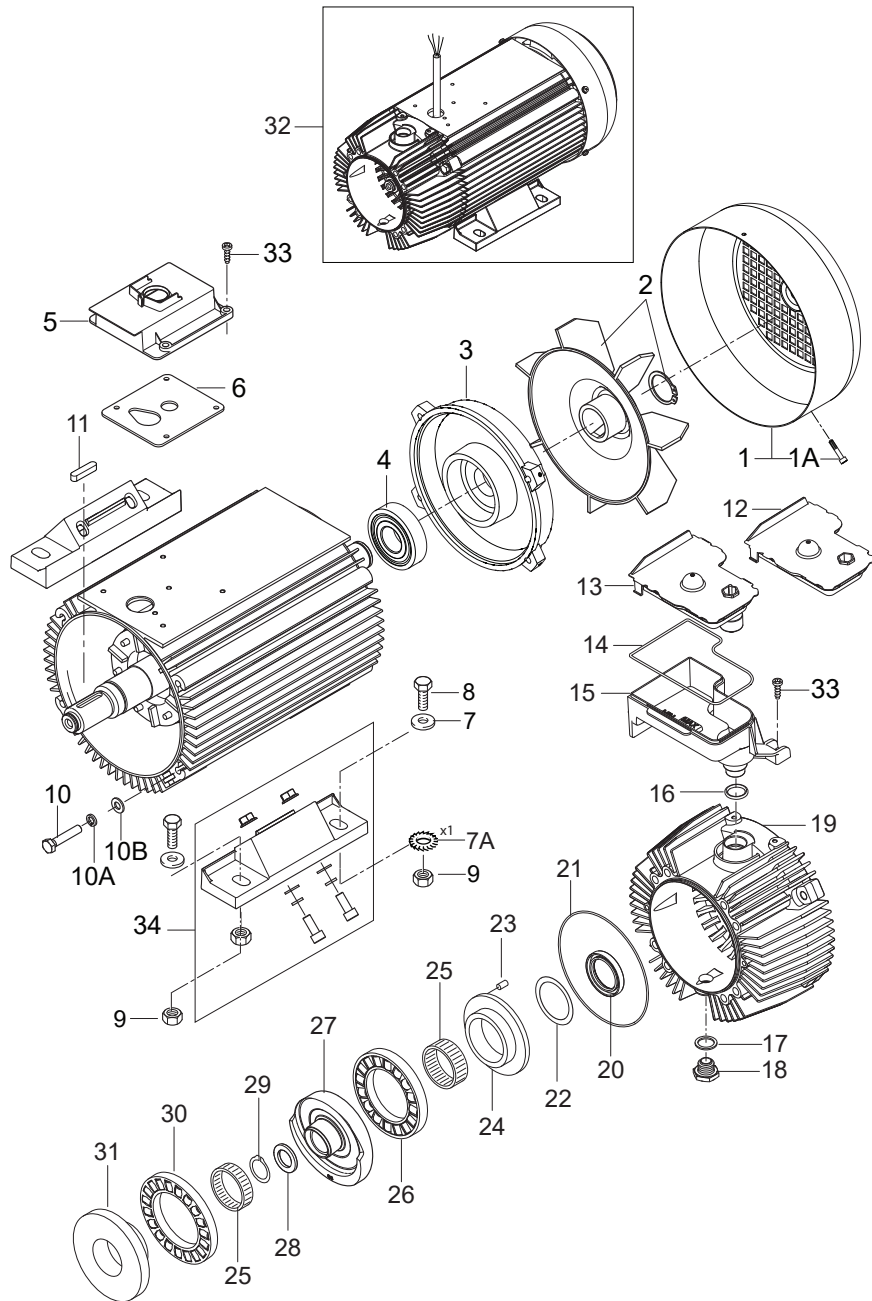
| Pos. | Artikel-Nr. | Menge | Variante                               | Notes |
|------|-------------|-------|--|-------|
| 1    | 107141798   | 1     | E-BOX TOP F. 2-POS SWITCH BLACK        |       |
| 11   | 909100204   | 1     | Drehknopf 6x5 blau                     |       |
| 12   | 9868        | 1     | O-Ring 10x2,5                          |       |
| 13   | 28877       | 1     | Schalter                               |       |
| 14   | 18274       | 1     | Senkschraube M4x12                     |       |
| 15   | 107141838   | 6     | SCHRAUBE K50X18 WN1451 SCHWARZ TORX 20 |       |
| 16   | 103821922   | 1     | Abschlussplatte                        |       |
| 17   | 107141633   | 1     | Klemmleiste                            | [1]   |
| 18   | 107307394   | 1     | WIRE TERMINAL 4Q WAGO 2004-1201        |       |
| 19   | 103821969   | 1     | Steckbrücke                            |       |
| 20   | 107307392   | 1     | END PLATE 4Q WAGO 2004-1291            |       |
| 21   | 101406054   | 1     | Dichtung                               |       |
| 22   | 107141665   | 1     | E BOX UNTERTEIL                        |       |
| 22   | 107141655   | 1     | UNTERTEIL ELEKTRONIK-BOX               |       |
| 23   | 107141666   | 1     | PCB POSEIDON 5-6-7                     |       |
| 24   | 103822308   | 1     | SCHÜTZ CJX2-D25 25A 400V 3P+NO         |       |
| 24   | 63915       | 1     | Schütz 100-C30KF10                     |       |
| 25   | 107141796   | 1     | PCB WIRE FOR SUCTION MODE              |       |
| 25   | 107141656   | 1     | Kabel                                  |       |
| 28   | 101117739   | 2     | Flachkopfschraube                      |       |
| 29   | 64580       | 1     | Drehknopf                              |       |
| 30   | 301000293   | 1     | Drehschalter Stern-Dreieck             |       |
| 31   | 64773       | 1     | Hilfskontakt 100-SBL11                 |       |
| 33   | 301000263   | 1     | Sicherung                              |       |
| 34B  | 301000253   | 1     | Netzkabel H07RN-F 4G1,5                |       |
| 34D  | 301000337   | 1     | Netzkabel H07RN-F 4G2,5                | [2]   |
| 36   | 909100043   | 1     | Kabelverschraubung                     |       |
| 37   | 909100019   | 1     | Sechskantmutter M20x1,5 EN 50262 PA    |       |
| 41   | 107141663   | 1     | Tülle                                  |       |

## Part Notes:

[1] - ECN-1010232

[2] - NO

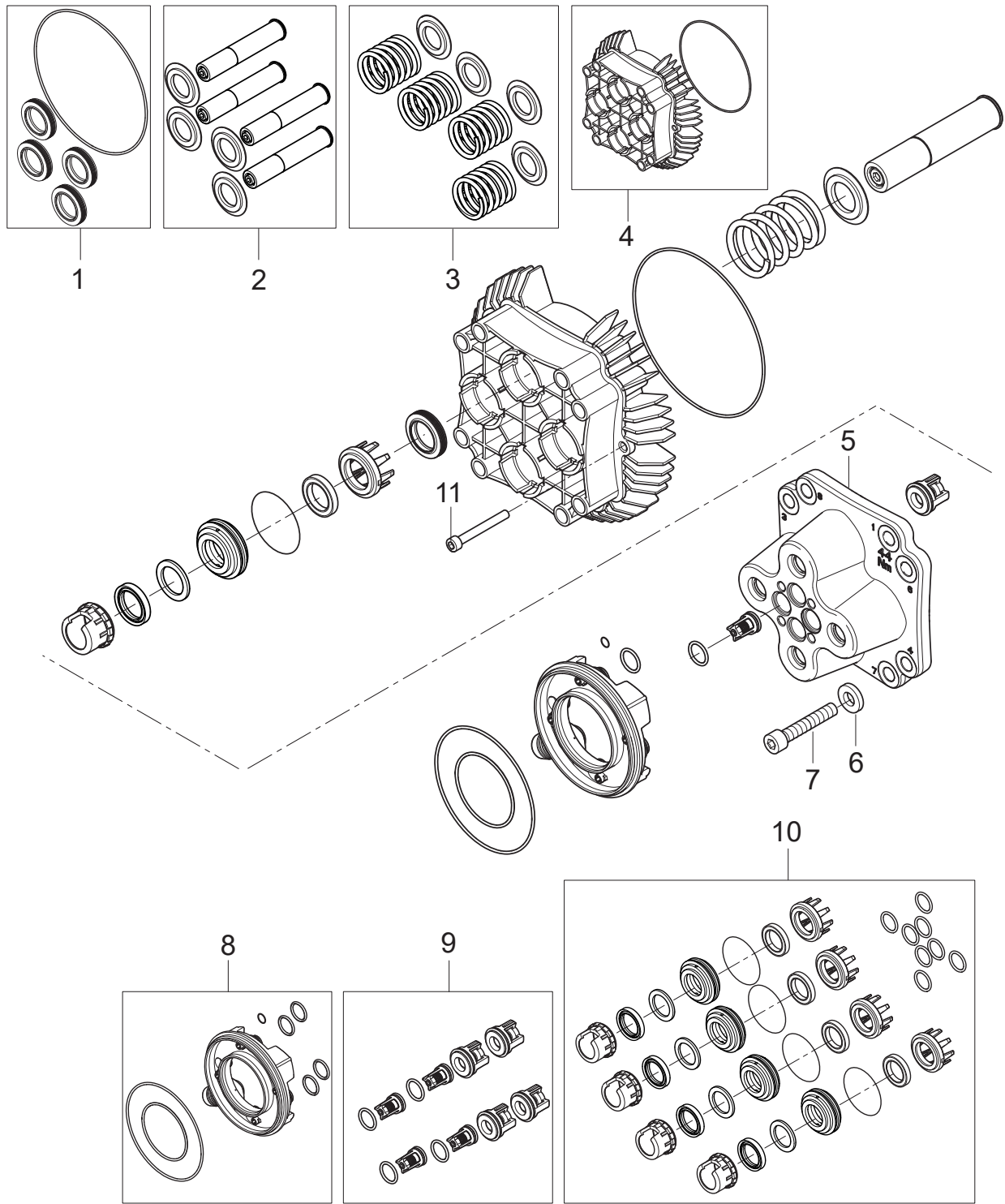




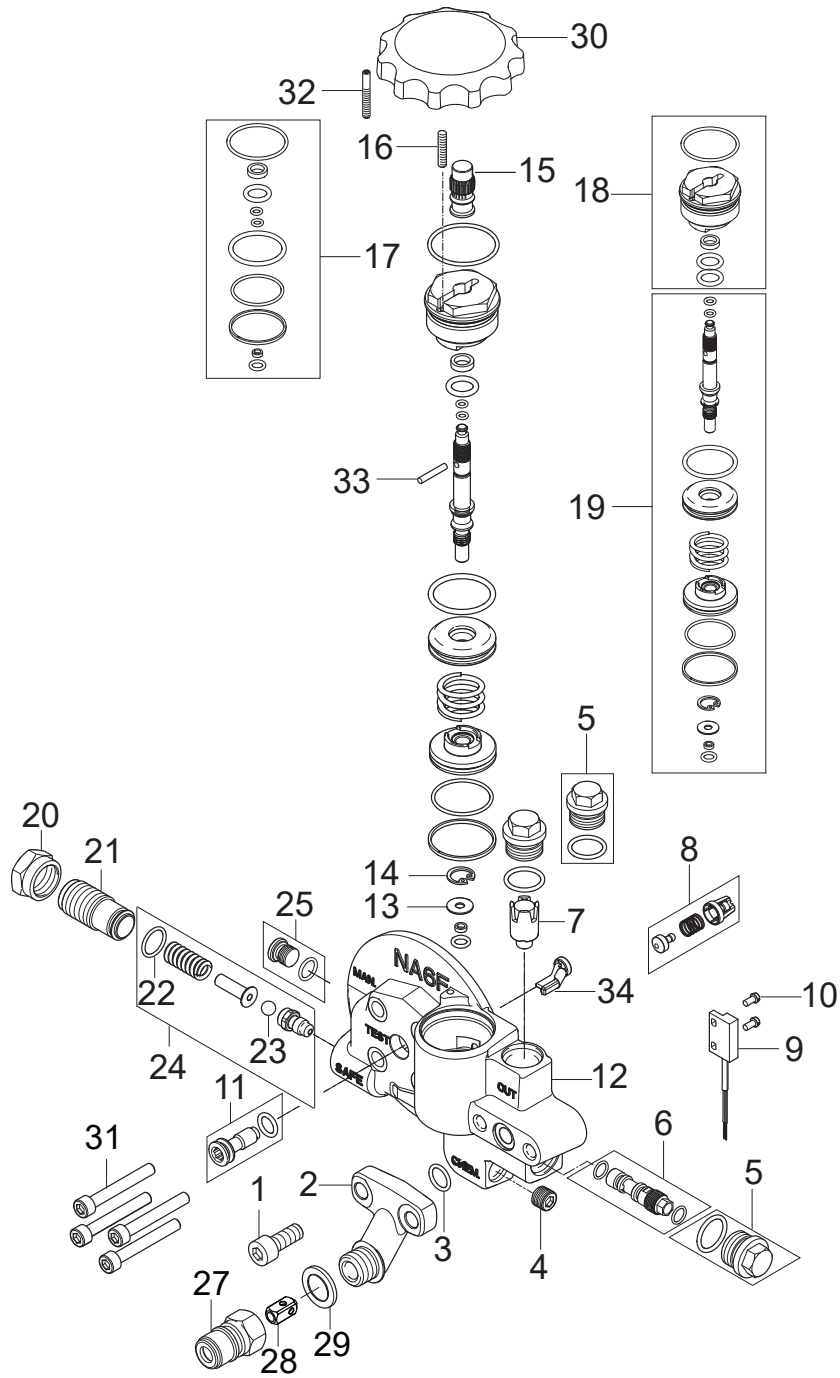
| Pos. | Artikel-Nr. | Menge | Variante                               | Notes |
|------|-------------|-------|--|-------|
|      | 31001229    | 1     | OIL ISO 150 ALPHASYN-T 20L             |       |
| 00   | 5218433     | 1     | Pumpenöl 150 1x1l                      | [1]   |
| 1    | 107144126   | 1     | Lüfterhaube                            |       |
| 1A   | 31000488    | 1     | Linsenschraube DIN7985-M5x8            |       |
| 2    | 107144125   | 1     | Lüfterrad                              |       |
| 3    | 31000148    | 1     | Lagerdeckel                            |       |
| 4    | 31000149    | 1     | Lager RF                               |       |
| 5    | 107140876   | 1     | ABDECKUNG E BOX AUF MOTOR              |       |
| 6    | 107140875   | 1     | Dichtung                               |       |
| 7    | 2767        | 7     | Scheibe 10,5x2,0 ISO 7090 zn           |       |
| 7A   | 10204       | 1     | Fächerscheibe 10,5 -A- DIN 6798 FSt/zn |       |
| 8    | 8927        | 4     | Zylinderschraube,                      |       |
| 9    | 1800465     | 4     | Mutter M10                             |       |
| 10   | 6863        | 4     | Zylinderschraube M8x 35 ISO4762 8.8 zn |       |
| 10A  | 2798        | 8     | Federring 8                            |       |
| 10B  | 2762        | 8     | Scheibe 8,4x1,6 ISO 7089 zn            |       |
| 11   | 107140880   | 1     | KEY 6X6X32 A DIN 6885                  |       |
| 12   | 107140877   | 1     | Deckel                                 |       |
| 13   | 107140883   | 1     | Sensor Ölbehälter                      |       |
| 14   | 101406054   | 1     | Dichtung                               |       |
| 15   | 107140879   | 1     | Öltank                                 |       |
| 16   | 107140882   | 1     | O-Ring 15,0 x 3,0                      |       |
| 17   | 106408208   | 1     | KUPFERDICHRING 17X25X1.5               |       |
| 18   | 6150400     | 1     | Verschlusspfropfen                     |       |
| 19   | 101118067   | 1     | Lagerdeckel                            |       |
| 20   | 3001146     | 1     | Wellendichtring                        |       |
| 21   | 106408215   | 1     | O-RING 126.71 X 1.78 NBR 72            |       |
| 22   | 6100995     | 1     | Scheibe 53x40,5x1,25                   |       |
| 23   | 6100996     | 1     | Kegelstift                             |       |
| 24   | 107120703   | 1     | Lagerscheibe Motorseitig               |       |
| 25   | 3200656     | 2     | Nadellager K40x45x17                   |       |
| 26   | 3200615     | 1     | Axialrollenlager                       |       |
| 27   | 106408270   | 1     | WOBBLE DISC POLISHED 8.97DEG           |       |
| 28   | 106408204   | 1     | Scheibe D32 x D20.1 x 3 Stahl          |       |
| 29   | 1802057     | 1     | Seegerring U 20 x1,2                   |       |
| 30   | 106408206   | 1     | CYL. ROLLER BEARING K81 212-TV AX. D11 |       |
| 31   | 106408207   | 1     | BEARING TRACK THRUST                   |       |
| 32   | 106408202   | 1     | MOTOR 7.5KW. 3X230/400-220/440         | [2]   |
| 33   | 107140881   | 6     | SCREW M5X12 DIN 7985 TORX              |       |
| 34   | 106408249   | 2     | FEET FOR MOTOR                         |       |

## Part Notes:

- [1] - 0,8L - OIL TYPES\_QUANTITY for HPW\_APRIL 2017  
 [2] - Also order Gasket for motor, 107140875



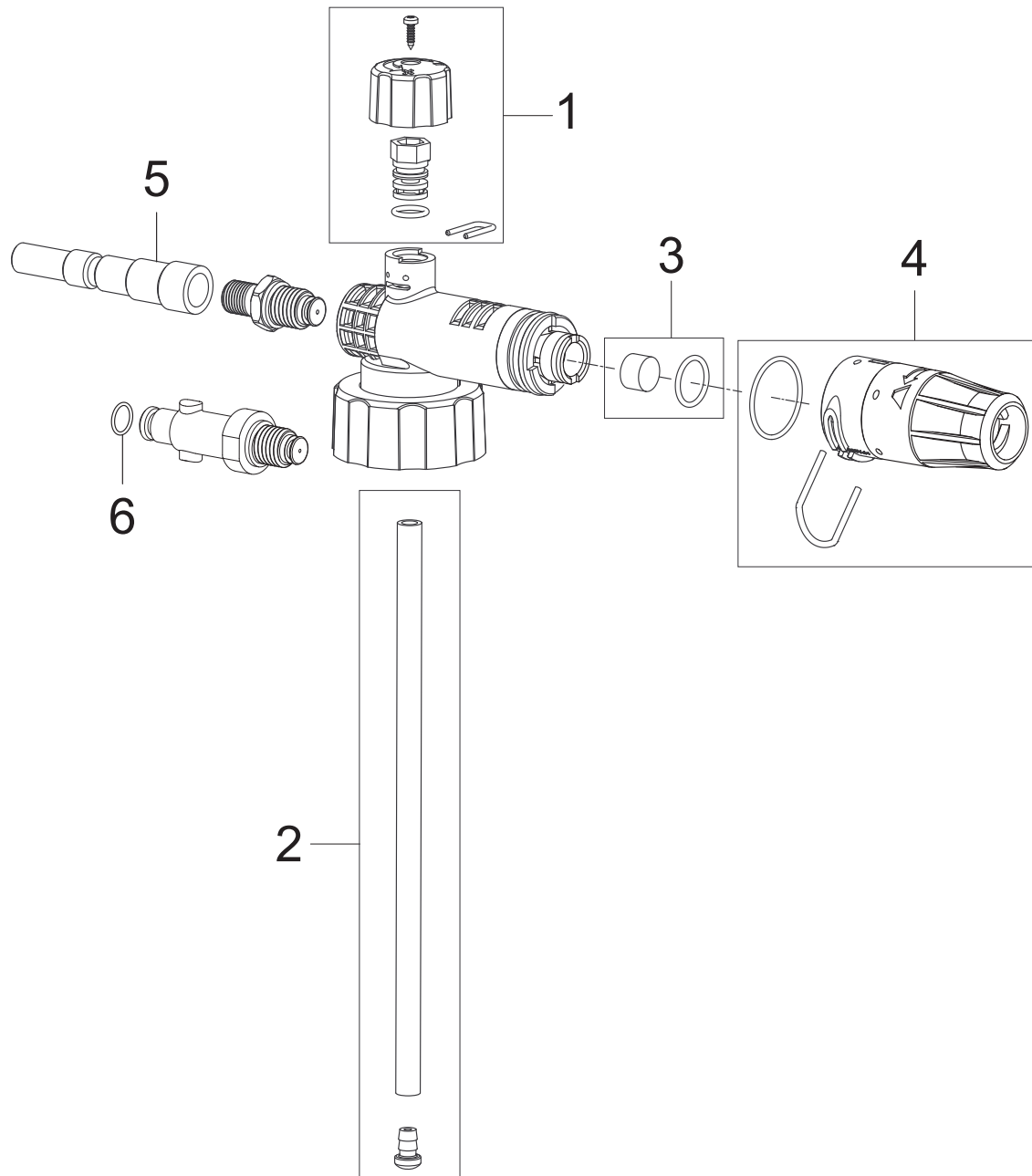
| Pos. | Artikel-Nr. | Menge | Variante                        | Notes |
|------|-------------|-------|---------------------------------|-------|
| 1    | 101118057   | 1     | SEAL KIT FOR CYLINDER BLOCK NA6 |       |
| 2    | 101118266   | 1     | PISTON KIT NA6 CL9              |       |
| 3    | 101118328   | 1     | RETURN SPRING - KIT NA6+        |       |
| 4    | 101118060   | 1     | Zylinderblock NA6 Pumpe         |       |
| 5    | 106408197   | 1     | Pumpenkopf D24 NA6              |       |
| 6    | 2767        | 8     | Scheibe 10,5x2,0 ISO 7090 zn    |       |
| 7    | 1813393     | 8     | Schraube M10 x100 8.8           |       |
| 8    | 101118063   | 1     | Ansaugrohr Satz NA6             |       |
| 9    | 101118062   | 1     | Kit Ein-/Auslassventil - NA6    |       |
| 10   | 101118276   | 1     | WASSER DICHTUNGSSET - NA6       |       |
| 11   | 31410       | 2     | SHR ZYL- M6X 50                 |       |



| Pos. | Artikel-Nr. | Menge | Variante                                 | Notes |
|------|-------------|-------|--|-------|
| 1    | 106408193   | 2     | SCREW M8 X 20 8.8 DIN 912 FZB            |       |
| 2    | 106408192   | 1     | Ausgangsfitting Axial NA5 Pumpe          |       |
| 3    | 106408191   | 1     | O-Ring 10,82x1,78 NBR 70                 |       |
| 4    | 107145568   | 1     | PLUG 1/4                                 |       |
| 5    | 107144154   | 2     | OIL PLUG M18X1.5 WITH O-RING /SH90/      |       |
| 6    | 101118280   | 1     | VENTURI TUBE Ø3.1 - KIT MH               |       |
| 7    | 101118055   | 1     | MAGNET AND HOUSE FOR FLOW SWITCH-KIT NA6 |       |
| 8    | 101118056   | 1     | Rückschlagventil                         |       |
| 9    | 106408216   | 1     | Mikroschalter                            |       |
| 10   | 101118033   | 2     | SCREW M3X6 BRASS                         |       |
| 11   | 107144137   | 1     | Stopfen                                  |       |
| 12   | 106408194   | 1     | UNLOADER FA NA6                          |       |
| 13   | 106408196   | 1     | WASHER D12.95 X D4.6 X 0.9 BRASS         |       |
| 14   | 106408195   | 1     | Sicherungsring Gr. 13 DIN472             |       |
| 15   | 106408189   | 1     | NUT M8 X 1 FOR UNLOADER VALVE FA         |       |
| 16   | 107146563   | 1     | SCREW POINTED DIN 913 M4X16 FZG          |       |
| 17   | 101118050   | 1     | SEALING KIT FOR NA6                      |       |
| 18   | 101118051   | 1     | PLUG FOR UNLOADER VALVE FA - KIT NA6     |       |
| 19   | 101118049   | 1     | CONTROL UNIT - KIT NA6                   |       |
| 20   | 6100928     | 1     | Mutter                                   |       |
| 21   | 6100940     | 1     | Einstellschraube                         |       |
| 22   | 3001070     | 1     | O-Ring 13,1 x 1,6 SMS                    |       |
| 23   | 1802644     | 1     | BALL Ø7 G40 WKS 1.4034                   |       |
| 24   | 101118118   | 1     | OPENING VALVE REP. KIT                   |       |
| 25   | 101117924   | 1     | Stopfen für MPU 1/8                      |       |
| 27   | 1600493     | 1     | Anschlussstück                           |       |
| 28   | 6101038     | 1     | Kolben                                   |       |
| 29   | 1801075     | 1     | Dichtring                                |       |
| 30   | 107140823   | 1     | Drehgriff                                |       |
| 31   | 9543        | 4     | Schraube M8 X 55 8.8                     |       |
| 32   | 107146562   | 1     | SCREW M4X30 POINTED DIN 413              |       |
| 33   | 107146561   | 1     | PIN DIA 3 X 18MM STAINLESS STEEL         |       |
| 34   | 107144239   | 1     | PLUG NA6FA BYPASS VALVE                  | [1]   |

## Part Notes:

[1] - Not for MC 6P 120



| Pos. | Artikel-Nr. | Menge | Variante                               | Notes |
|------|-------------|-------|--|-------|
| 0    | 106408236   | 1     | NILFISK-ALTO FOAMSPRAYER VARIO HF 0950 |       |
| 1    | 31000902    | 1     | ADJUSTMENT KNOB BLUE                   |       |
| 2    | 31000904    | 1     | HOSE WITH LIMITER - 0450 - BLACK       |       |
| 2    | 31000907    | 1     | HOSE WITH LIMITER - 0370 - DARK BROWN  |       |
| 3    | 31001310    | 1     | FILTER W. O-RING F. FOAMSPRAYER        |       |
| 4    | 31000910    | 1     | SPRAY ANGLE ADJUST UNIT BLUE           |       |
| 5    | 1609325     | 1     | Nippel f. Sprührohr ERGO               |       |
| 6    | 3004279     | 1     | O-RING 9.3X2.4 NITRIL 90 SH            |       |





| Pos. | Artikel-Nr. | Menge | Variante                                 | Notes |
|------|-------------|-------|--|-------|
| 1    | 106404530   | 1     | Sprühgriff m. hohem Durchfluss           | [1]   |
| 2    | 106403010   | 1     | TORNADO PLUS 1120 Geb. o. Düse           | [2]   |
| 3    | 101119762   | 1     | HD-Düse 1500 TORNADO oliv                | [2]   |
| 4    | 106408269   | 1     | TURBOHAMMER PLUS 1130 STRAIGHT NOZZ 1800 | [3]   |
| 5    | 106403079   | 1     | TURBOHAMMER NOZZLE 1800 W RING           | [3]   |
| 6    | 6101766     | 1     | HD-Schlauch DN10x10m/3/8                 | [4]   |
| 6    | 1402064     | 1     | Hochdruckschlauch 15m 3/8 DN10 max 150C  | [4]   |
| 7    | 106403142   | 1     | Sandfilter-Set f. POS-Mod                | [5]   |
| 8    | 106403143   | 1     | Schlauchrolle Satz                       | [6]   |
| 8    | 101118105   | 1     | Schlauchführung                          | [6]   |

## Part Notes:

- [1] - 106404530 High flow Spray handle
- [2] - TORNADO PLUS lance
- [3] - TURBOHAMMER PLUS lance
- [4] - HOSES Overview
- [5] - SANDFILTER KIT POSEIDON 5-6-7 from September 2012
- [6] - Hose reel



## heupel Reinigungstechnik GmbH

Gottlieb Daimler Str. 6  
88214 Ravensburg

Tel: (049) 0751 - 35905-3  
Fax: (049) 0751 - 35905-59

email: [info@heupel-gmbh.de](mailto:info@heupel-gmbh.de)  
[www.heupel-gmbh.de](http://www.heupel-gmbh.de)

**Shop: [www.heupel-shop.de](http://www.heupel-shop.de)**

Heupel - Reinigungstechnik - Beratung, Verkauf, Service, alles aus einer Hand.

