

CATALOGO RICAMBI • SPARE PARTS CATALOGUE
CATALOGUE DE PIÈCES DÉTACHÉES
ERSATZKATALOG • CATALOGO PIEZAS DE REPUESTO

adiate^k®
Design and innovation

baby-e



SERIAL NUMBER



heupel Reinigungstechnik GmbH

Gottlieb Daimler Str. 6
88214 Ravensburg

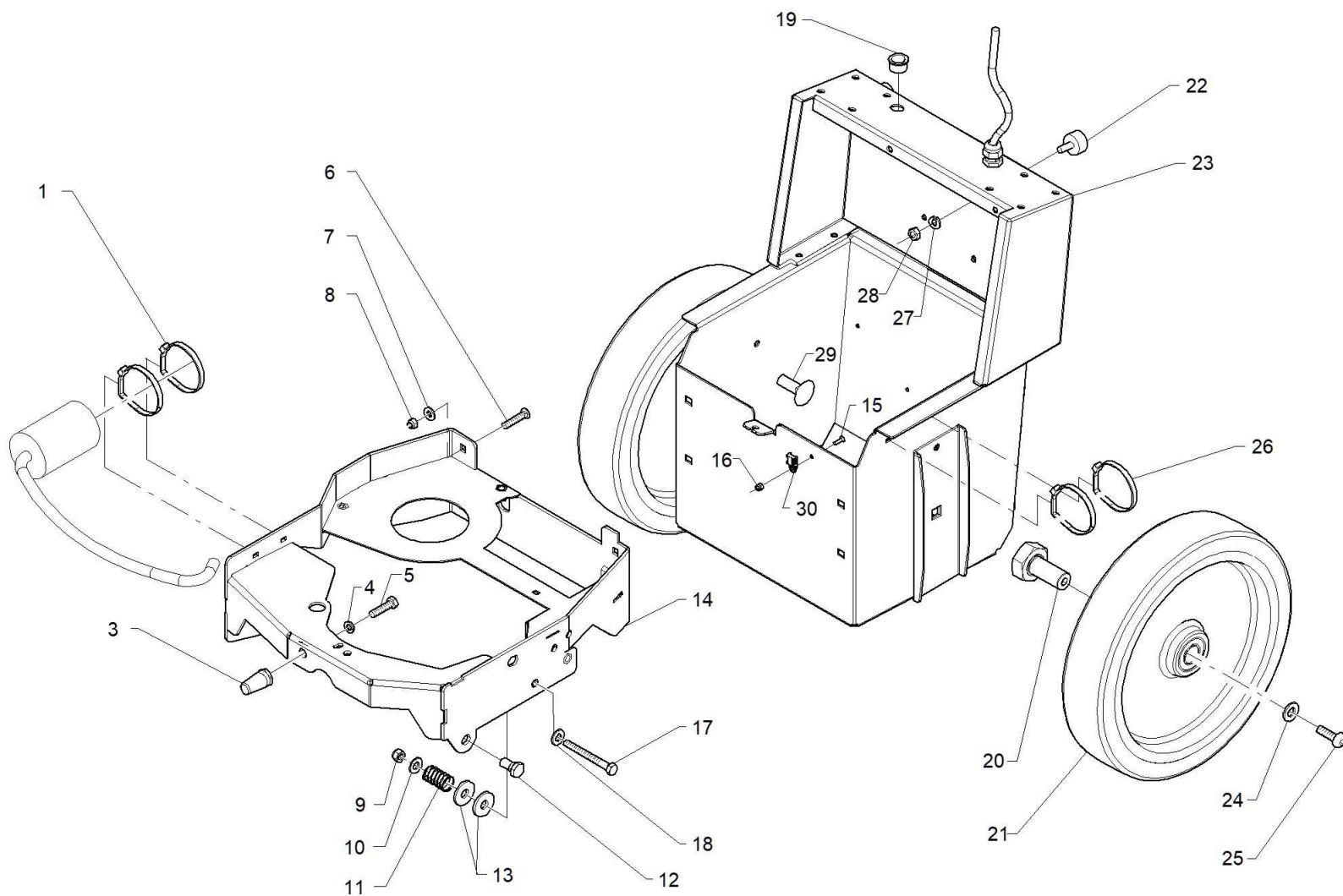
email: info@heupel-gmbh.de
www.heupel-gmbh.de

Tel: (049) 0751 - 35905-3
Fax: (049) 0751 - 35905-59

Shop: www.heupel-shop.de

Heupel - Reinigungstechnik - Beratung, Verkauf, Service, alles aus einer Hand.

1101-10 R00 ASSY FRAME - BODYWORK-WHEELS



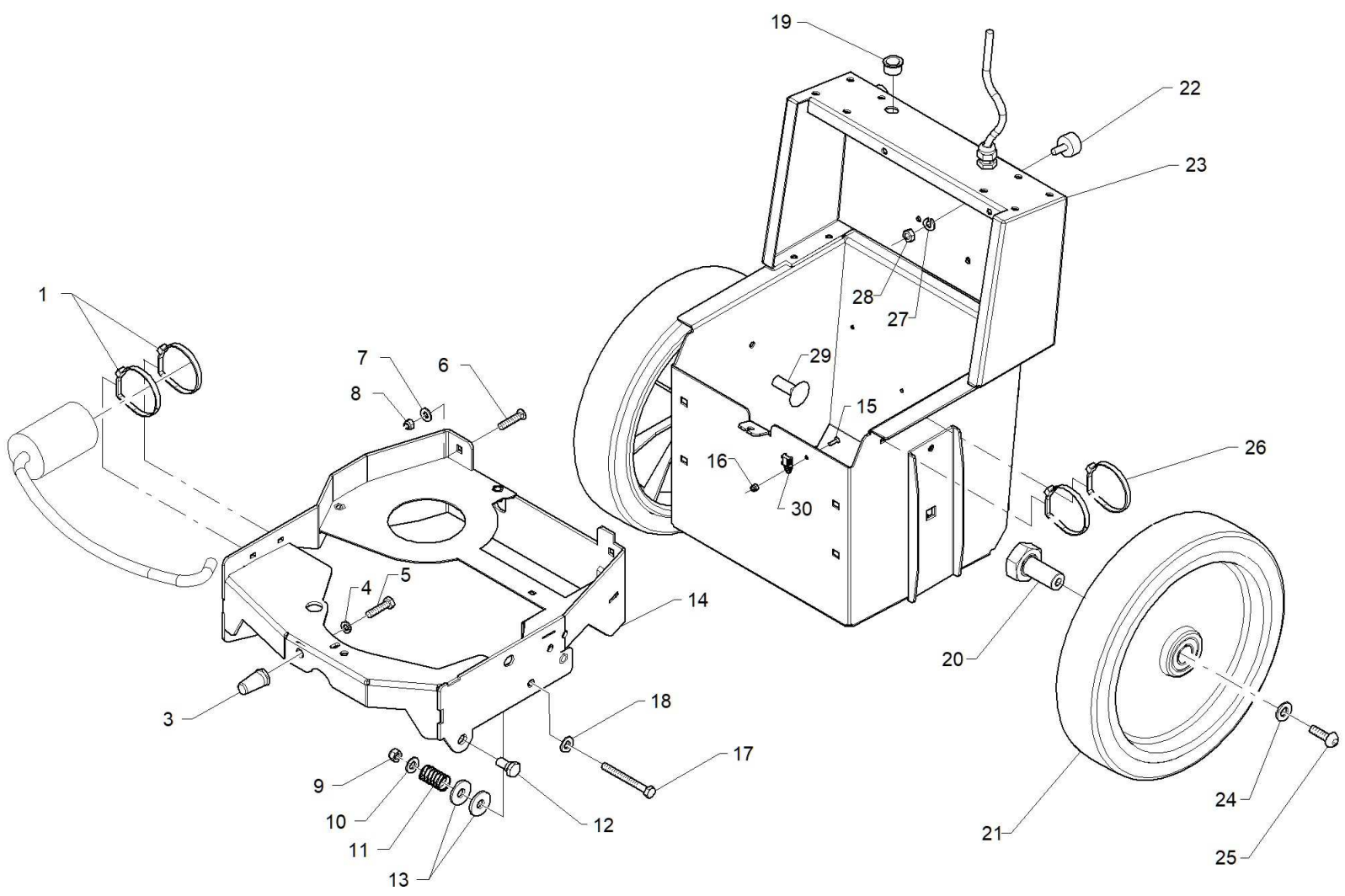
1101-10 R00 ASSY FRAME - BODYWORK-WHEELS

Pos.	Code	Qty	Description
1	61910004	1	CLAMP MM. 4,8x290 BLACK
3	21001010	1	PIN SOLUTION TANK
4	60508001	1	LOCK WASHER 8 ASA B27 DIN 127B
5	60110807	1	SCREW M8x20 UNI 5739 DIN 933 (8.8)
6	60100601	1	SCREW M6x16 UNI 5732
7	60306003	1	WASHER 6x12x1,6 UNI 6592 DIN 125A
8	60220603	1	LOCK NUT M6 H8 UNI 7473 DIN 982
9	60220801	1	LOCK NUT M8 H8 UNI 7474 DIN 985
10	60310004	1	WASHER 10,5x20x2 UNI 6592 INOX
11	47210070	1	COMPRESSION SPRING 12x1,6x15
12	21002020	1	STUD BOLT M8x20,5 HEXAGONAL HEAD
13	20102210	1	WASHER Ø 8,2x30x3 DELRIN
14	46111100	1	FRAME BABY 230V
15	60170303	1	SCREW M3x8 UNI 7688 INOX
16	60220301	1	LOCK NUT M3 H4 UNI 7473 DIN 982
17	60110818	1	SCREW M8x40 UNI 5739 DIN 933 (8.8)
18	60308004	1	WASHER 8x17x1,6 UNI 6592HH DIN 125A
19	63713005	1	FAIRLEAD 6234/12/21
20	21007020	1	INNER WHEEL PIN
21	46514010	1	WHEEL Ø 250x50 GREY PU

1101-10 R00 ASSY FRAME - BODYWORK-WHEELS

Pos.	Code	Qty	Description
22	62405002	1	CAP VIBRATION-DAMPING Ø 20x11 M6x15
23	46111110	1	REAR FRAME BABY 230V
24	60308007	1	WASHER 8x24x2 UNI 6593 INOX
25	60100803	1	SCREW M8x20 ISO 7380 INOX
26	61910005	1	CLAMP MM. 4,8x200 BLACK
27	60506005	1	LOCK WASHER 6 GROWER DIN 127
28	60210608	1	NUT M6 H5 UNI 5588-ISO4032
29	60101003	1	SCREW M10x30 UNI 5732 DIN 603 INOX
30	63714002	1	EYE SUPPORT (10x19x6 HOLE 4,1)

1101-10 R01 ASSY FRAME - BODYWORK-WHEELS



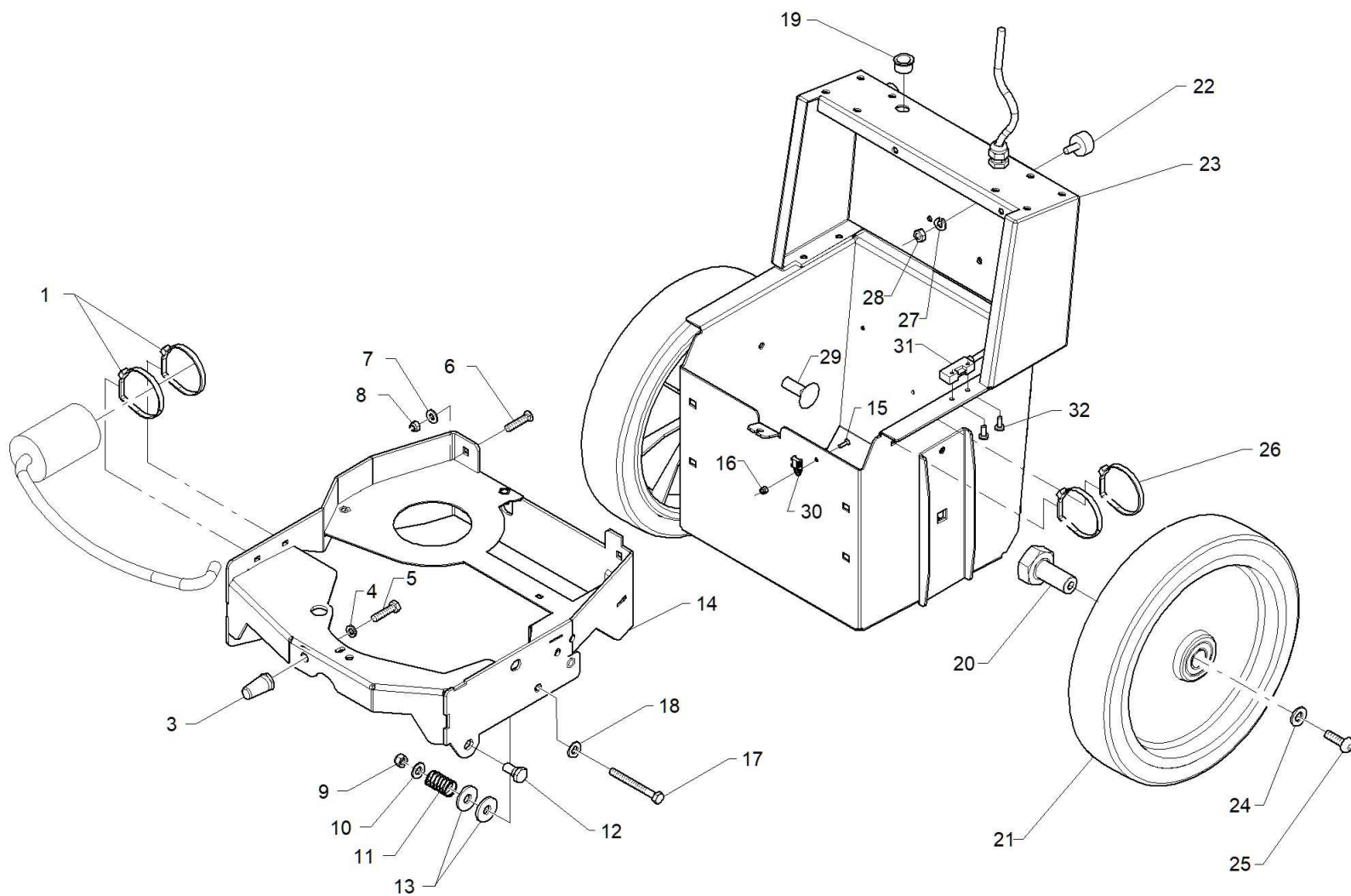
1101-10 R01 ASSY FRAME - BODYWORK-WHEELS

Pos.	Code	Qty	Description
1	61910004	1	CLAMP MM. 4,8x290 BLACK
3	21001010	1	PIN SOLUTION TANK
4	60508001	1	LOCK WASHER 8 ASA B27 DIN 127B
5	60110807	1	SCREW M8x20 UNI 5739 DIN 933 (8.8)
6	60100601	1	SCREW M6x16 UNI 5732
7	60306003	1	WASHER 6x12x1,6 UNI 6592 DIN 125A
8	60220603	1	LOCK NUT M6 H8 UNI 7473 DIN 982
9	60220801	1	LOCK NUT M8 H8 UNI 7474 DIN 985
10	60310004	1	WASHER 10,5x20x2 UNI 6592 INOX
11	47210070	1	COMPRESSION SPRING 12x1,6x15
12	21002020	1	STUD BOLT M8x20,5 HEXAGONAL HEAD
13	20102210	1	WASHER Ø 8,2x30x3 DELRIN
14	46111100	1	FRAME BABY 230V
15	60170303	1	SCREW M3x8 UNI 7688 INOX
16	60220301	1	LOCK NUT M3 H4 UNI 7473 DIN 982
17	60110818	1	SCREW M8x40 UNI 5739 DIN 933 (8.8)
18	60308004	1	WASHER 8x17x1,6 UNI 6592HH DIN 125A
19	63713005	1	FAIRLEAD 6234/12/21
20	21007020	1	INNER WHEEL PIN
21	46514020	1	RUBBER WHEEL Ø 250x50 GREY

1101-10 R01 ASSY FRAME - BODYWORK-WHEELS

Pos.	Code	Qty	Description
22	62405002	1	CAP VIBRATION-DAMPING Ø 20x11 M6x15
23	46111110	1	REAR FRAME BABY 230V
24	60308007	1	WASHER 8x24x2 UNI 6593 INOX
25	60100803	1	SCREW M8x20 ISO 7380 INOX
26	61910005	1	CLAMP MM. 4,8x200 BLACK
27	60506005	1	LOCK WASHER 6 GROWER DIN 127
28	60210608	1	NUT M6 H5 UNI 5588-ISO4032
29	60101003	1	SCREW M10x30 UNI 5732 DIN 603 INOX
30	63714002	1	EYE SUPPORT (10x19x6 HOLE 4,1)

1101-10 R02 ASSY FRAME - BODYWORK-WHEELS



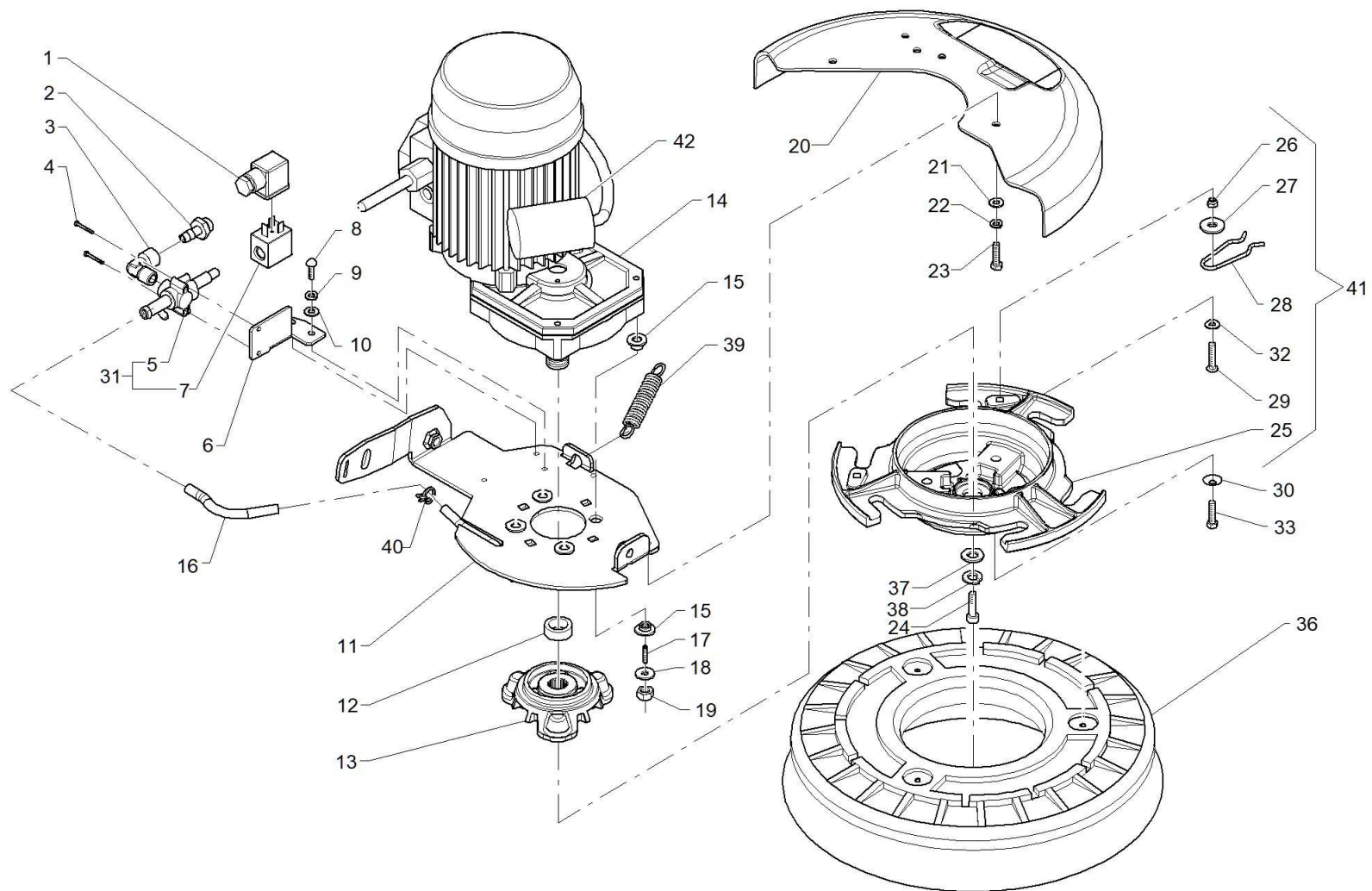
1101-10 R02 ASSY FRAME - BODYWORK-WHEELS

Pos.	Code	Qty	Description
1	61910004	1	CLAMP MM. 4,8x290 BLACK
3	21001010	1	PIN SOLUTION TANK
4	60508001	1	LOCK WASHER 8 ASA B27 DIN 127B
5	60110807	1	SCREW M8x20 UNI 5739 DIN 933 (8.8)
6	60100601	1	SCREW M6x16 UNI 5732
7	60306003	1	WASHER 6x12x1,6 UNI 6592 DIN 125A
8	60220603	1	LOCK NUT M6 H8 UNI 7473 DIN 982
9	60220801	1	LOCK NUT M8 H8 UNI 7474 DIN 985
10	60310004	1	WASHER 10,5x20x2 UNI 6592 INOX
11	47210070	1	COMPRESSION SPRING 12x1,6x15
12	21002020	1	STUD BOLT M8x20,5 HEXAGONAL HEAD
13	20102210	1	WASHER Ø 8,2x30x3 DELRIN
14	46111100	1	FRAME BABY 230V
15	60170303	1	SCREW M3x8 UNI 7688 INOX
16	60220301	1	LOCK NUT M3 H4 UNI 7473 DIN 982
17	60110818	1	SCREW M8x40 UNI 5739 DIN 933 (8.8)
18	60308004	1	WASHER 8x17x1,6 UNI 6592HH DIN 125A
19	63713005	1	FAIRLEAD 6234/12/21
20	21007020	1	INNER WHEEL PIN
21	46514020	1	RUBBER WHEEL Ø 250x50 GREY

1101-10 R02 ASSY FRAME - BODYWORK-WHEELS

Pos.	Code	Qty	Description
22	62405002	1	CAP VIBRATION-DAMPING Ø 20x11 M6x15
23	46111110	1	REAR FRAME BABY 230V
24	60308007	1	WASHER 8x24x2 UNI 6593 INOX
25	60100803	1	SCREW M8x20 ISO 7380 INOX
26	61910005	1	CLAMP MM. 4,8x200 BLACK
27	60506005	1	LOCK WASHER 6 GROWER DIN 127
28	60210608	1	NUT M6 H5 UNI 5588-ISO4032
29	60101003	1	SCREW M10x30 UNI 5732 DIN 603 INOX
30	63714002	1	EYE SUPPORT (10x19x6 HOLE 4,1)
31	63720004	1	MAGNETIC SENSOR E510 1B CABLE MM 500
32	60190318	1	SCREW Ø 3.5x9.5 UNI 6594 BLACK

1102-10 R00 BRUSH BASE ASSEMBLY



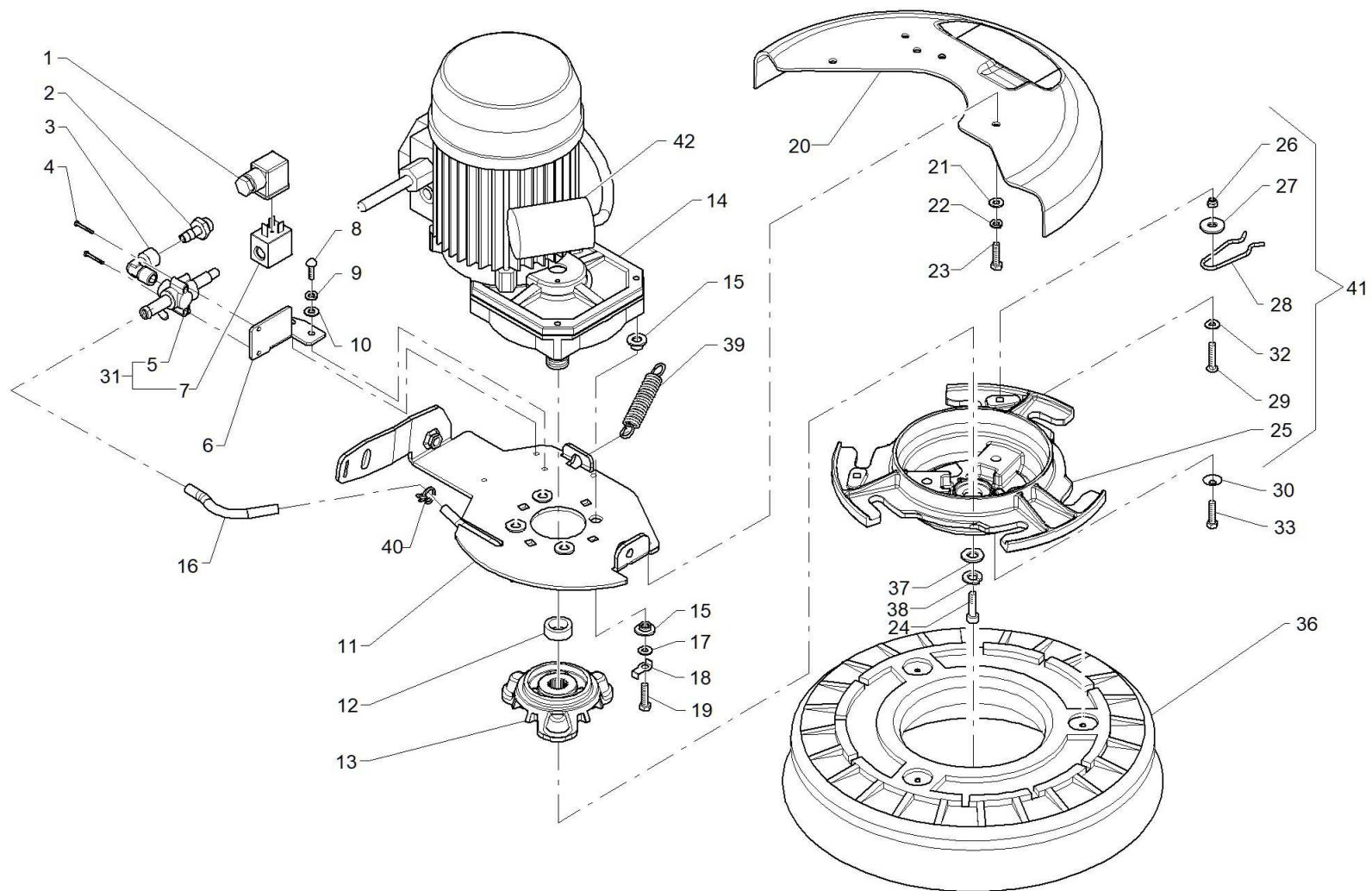
1102-10 R00 BRUSH BASE ASSEMBLY

Pos.	Code	Qty	Description
1	47597010	1	CONNECTOR FOR SOLENOID VALVE 47537040
2	62340220	1	STRAIGHT FITTING M-1/4x9
3	62320040	1	ELBOW 1/4" M.F.
4	60110406	1	SCREW M4x20 UNI 5739 DIN 933 INOX
5	47512070	1	SOLENOID VALVE BODY E150 1/4 (230V)
6	21002030	1	SOLENOID VALVE SUPPORT
7	47527030	1	COIL 230V FOR SOLENOID VALVE E150
8	60140510	1	SCREW M5x10 UNI 7687 DIN 7985 INOX
9	60505003	1	LOCK WASHER Ø 5 DIN 6798/A INOX
10	60305002	1	WASHER 5x10x1 UNI 6592 INOX
11	48511010	1	BRUSH BASE BABY 230V
12	47010010	1	SPACER Ø 25x18,2 h 9,5
13	21002010	1	FLANGE SPLINED HOLE
14	46200340	1	GEARED MOTOR 230V 450W 50Hz BABY E
15	20502350	1	ANTI-VIBRATION BUSHING
16	47630950	1	HOSE Ø 8x135 EXTRA CRYSTAL
17	60160601	1	DOWEL M6x25 UNI 5923-DIN 913 INOX
18	60306011	1	WASHER 6x24x2 UNI 6593 INOX
19	60220602	1	LOCK NUT M6 H6 UNI 7474 INOX
20	21002060	1	BRUSH COVER EMBOSSED

1102-10 R00 BRUSH BASE ASSEMBLY

Pos.	Code	Qty	Description
21	60305006	1	WASHER 5x20x1,5 UNI 6593B DIN 9021 INOX
22	60505003	1	LOCK WASHER Ø 5 DIN 6798/A INOX
23	60110503	1	SCREW M5x12 UNI 5739 DIN 933 INOX
24	60130802	1	SCREW M8x14 UNI 5931 DIN 912 INOX
25	20302250	1	BRUSH PLATE PLASTIC
26	60220602	1	LOCK NUT M6 H6 UNI 7474 INOX
27	60306011	1	WASHER 6x24x2 UNI 6593 INOX
28	47230050	1	BLOCKING SPRING BRUSH
29	60100603	1	SCREW M6x16 UNI 5732 INOX
30	60508004	1	CONICAL WASHER Ø 8,5x22x1,2
31	47537040	1	SOLENOID VALVE 230V-50/60 HZ 1/4" E150
32	60308003	1	WASHER 8x17x1,6 DIN 125A INOX
33	60100808	1	SCREW M8x50 UNI 5732 DIN 603/555
36	48903020	1	BRUSH Ø345 PPL 0,6
37	60308007	1	WASHER 8x24x2 UNI 6593 INOX
38	60508006	1	LOCK WASHER 8 DIN 127B INOX
39	47220020	1	TRACTION SPRING 15x2x60 - 2 EYELETS
40	61930011	1	SPRING CLAMP BIFILAR
41	V1002002	1	BRUSH PLATE ASSEMBLY
42	63502501	1	STARTING CAPACITOR 25µF WITH CABLE

1102-10 R01 BRUSH BASE ASSEMBLY



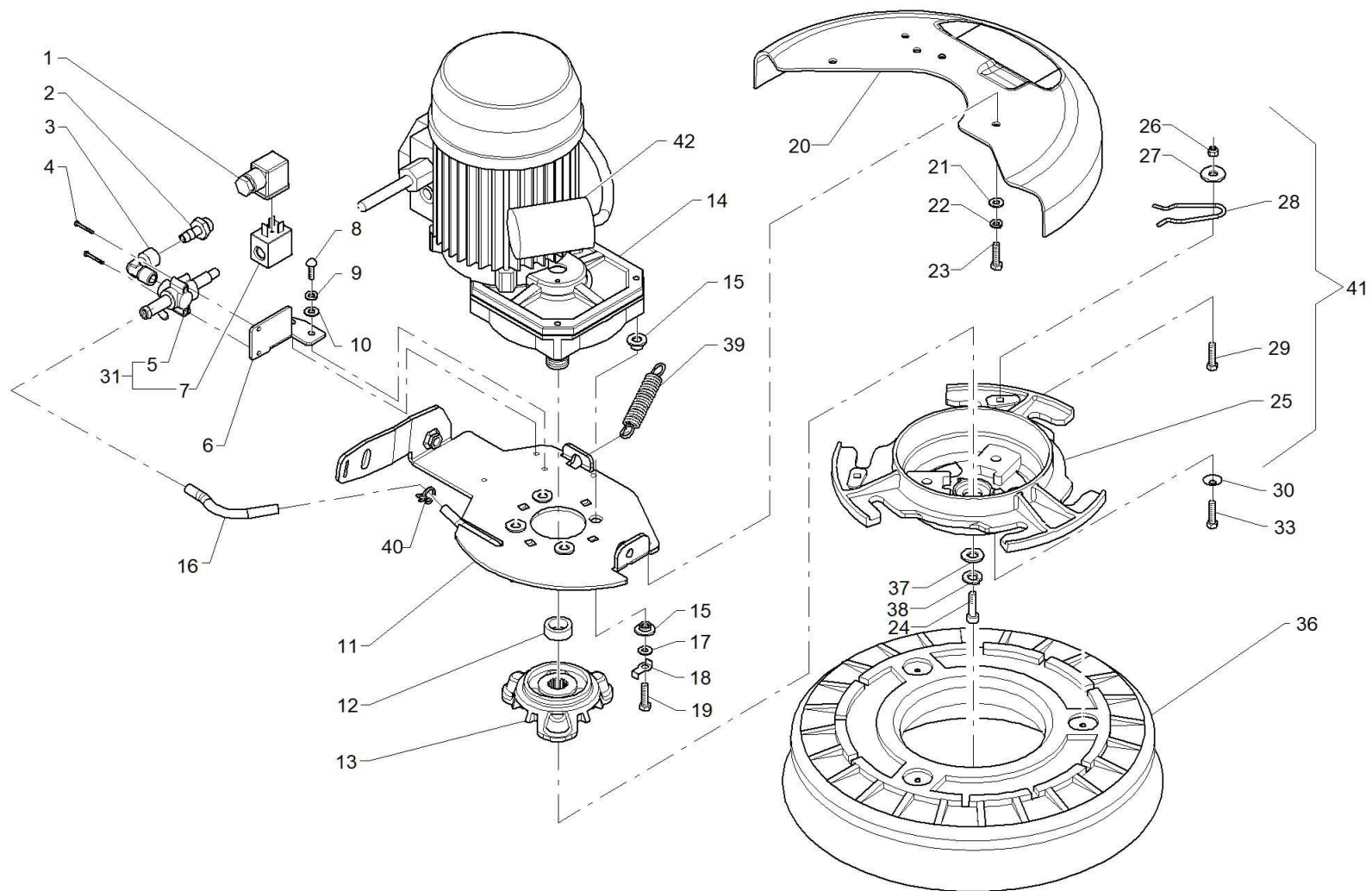
1102-10 R01 BRUSH BASE ASSEMBLY

Pos.	Code	Qty	Description
1	47597010	1	CONNECTOR FOR SOLENOID VALVE 47537040
2	62340220	1	STRAIGHT FITTING M-1/4x9
3	62320040	1	ELBOW 1/4" M.F.
4	60110406	1	SCREW M4x20 UNI 5739 DIN 933 INOX
5	47512070	1	SOLENOID VALVE BODY E150 1/4 (230V)
6	21002030	1	SOLENOID VALVE SUPPORT
7	47527030	1	COIL 230V FOR SOLENOID VALVE E150
8	60140510	1	SCREW M5x10 UNI 7687 DIN 7985 INOX
9	60505003	1	LOCK WASHER Ø 5 DIN 6798/A INOX
10	60305002	1	WASHER 5x10x1 UNI 6592 INOX
11	48511010	1	BRUSH BASE BABY 230V
12	47010010	1	SPACER Ø 25x18,2 h 9,5
13	21002010	1	FLANGE SPLINED HOLE
14	46200340	1	GEARED MOTOR 230V 450W 50Hz BABY E
15	20502350	1	ANTI-VIBRATION BUSHING
16	47630950	1	HOSE Ø 8x135 EXTRA CRYSTAL
17	60306011	1	WASHER 6x24x2 UNI 6593 INOX
18	60506008	1	SAFETY WASHER M 6 UNI 1746 INOX
19	60110610	1	SCREW M6x18 UNI 5739 DIN 933 INOX
20	21002060	1	BRUSH COVER EMBOSSED

1102-10 R01 BRUSH BASE ASSEMBLY

Pos.	Code	Qty	Description
21	60305006	1	WASHER 5x20x1,5 UNI 6593B DIN 9021 INOX
22	60505003	1	LOCK WASHER Ø 5 DIN 6798/A INOX
23	60110503	1	SCREW M5x12 UNI 5739 DIN 933 INOX
24	60130802	1	SCREW M8x14 UNI 5931 DIN 912 INOX
25	20302250	1	BRUSH PLATE PLASTIC
26	60220602	1	LOCK NUT M6 H6 UNI 7474 INOX
27	60306011	1	WASHER 6x24x2 UNI 6593 INOX
28	47230050	1	BLOCKING SPRING BRUSH
29	60100603	1	SCREW M6x16 UNI 5732 INOX
30	60508004	1	CONICAL WASHER Ø 8,5x22x1,2
31	47537040	1	SOLENOID VALVE 230V-50/60 HZ 1/4" E150
32	60308003	1	WASHER 8x17x1,6 DIN 125A INOX
33	60100808	1	SCREW M8x50 UNI 5732 DIN 603/555
36	48903020	1	BRUSH Ø345 PPL 0,6
37	60308007	1	WASHER 8x24x2 UNI 6593 INOX
38	60508006	1	LOCK WASHER 8 DIN 127B INOX
39	47220020	1	TRACTION SPRING 15x2x60 - 2 EYELETS
40	61930011	1	SPRING CLAMP BIFILAR
41	V1002002	1	BRUSH PLATE ASSEMBLY
42	63502501	1	STARTING CAPACITOR 25µF WITH CABLE

1102-10 R02 BRUSH BASE ASSEMBLY



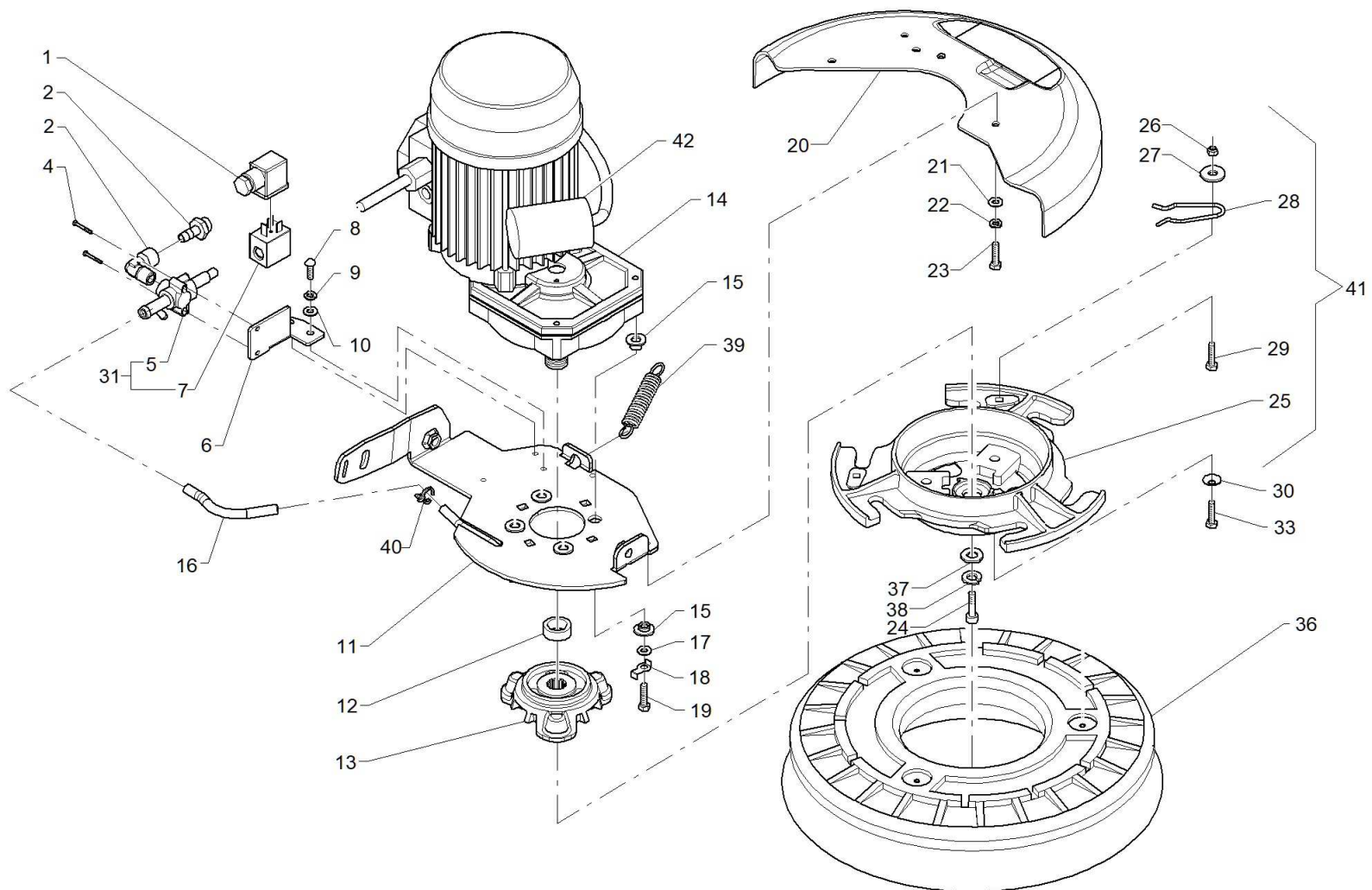
1102-10 R02 BRUSH BASE ASSEMBLY

Pos.	Code	Qty	Description
1	47597010	1	CONNECTOR FOR SOLENOID VALVE 47537040
2	62340220	1	STRAIGHT FITTING M-1/4x9
3	62320040	1	ELBOW 1/4" M.F.
4	60110406	1	SCREW M4x20 UNI 5739 DIN 933 INOX
5	47512070	1	SOLENOID VALVE BODY E150 1/4 (230V)
6	21002030	1	SOLENOID VALVE SUPPORT
7	47527030	1	COIL 230V FOR SOLENOID VALVE E150
8	60140510	1	SCREW M5x10 UNI 7687 DIN 7985 INOX
9	60505003	1	LOCK WASHER Ø 5 DIN 6798/A INOX
10	60305002	1	WASHER 5x10x1 UNI 6592 INOX
11	48511010	1	BRUSH BASE BABY 230V
12	47010010	1	SPACER Ø 25x18,2 h 9,5
13	21002010	1	FLANGE SPLINED HOLE
14	46200340	1	GEARED MOTOR 230V 450W 50Hz BABY E
15	20502350	1	ANTI-VIBRATION BUSHING
16	47630950	1	HOSE Ø 8x135 EXTRA CRYSTAL
17	60306011	1	WASHER 6x24x2 UNI 6593 INOX
18	60506008	1	SAFETY WASHER M 6 UNI 1746 INOX
19	60110610	1	SCREW M6x18 UNI 5739 DIN 933 INOX
20	21002060	1	BRUSH COVER EMBOSSED

1102-10 R02 BRUSH BASE ASSEMBLY

Pos.	Code	Qty	Description
21	60305006	1	WASHER 5x20x1,5 UNI 6593B DIN 9021 INOX
22	60505003	1	LOCK WASHER Ø 5 DIN 6798/A INOX
23	60110503	1	SCREW M5x12 UNI 5739 DIN 933 INOX
24	60130802	1	SCREW M8x14 UNI 5931 DIN 912 INOX
25	20302250	1	BRUSH PLATE PLASTIC
26	60220602	1	LOCK NUT M6 H6 UNI 7474 INOX
27	60306011	1	WASHER 6x24x2 UNI 6593 INOX
28	47230050	1	BLOCKING SPRING BRUSH
29	60110606	1	SCREW M6x14 UNI 5739 DIN 933 INOX
30	60508004	1	CONICAL WASHER Ø 8,5x22x1,2
31	47537040	1	SOLENOID VALVE 230V-50/60 HZ 1/4" E150
33	60100808	1	SCREW M8x50 UNI 5732 DIN 603/555
36	48903020	1	BRUSH Ø345 PPL 0,6
37	60308007	1	WASHER 8x24x2 UNI 6593 INOX
38	60508006	1	LOCK WASHER 8 DIN 127B INOX
39	47220020	1	TRACTION SPRING 15x2x60 - 2 EYELETS
40	61930011	1	SPRING CLAMP BIFILAR
41	V1002002	1	BRUSH PLATE ASSEMBLY
42	63502501	1	STARTING CAPACITOR 25µF WITH CABLE

1102-10 R03 BRUSH BASE ASSEMBLY



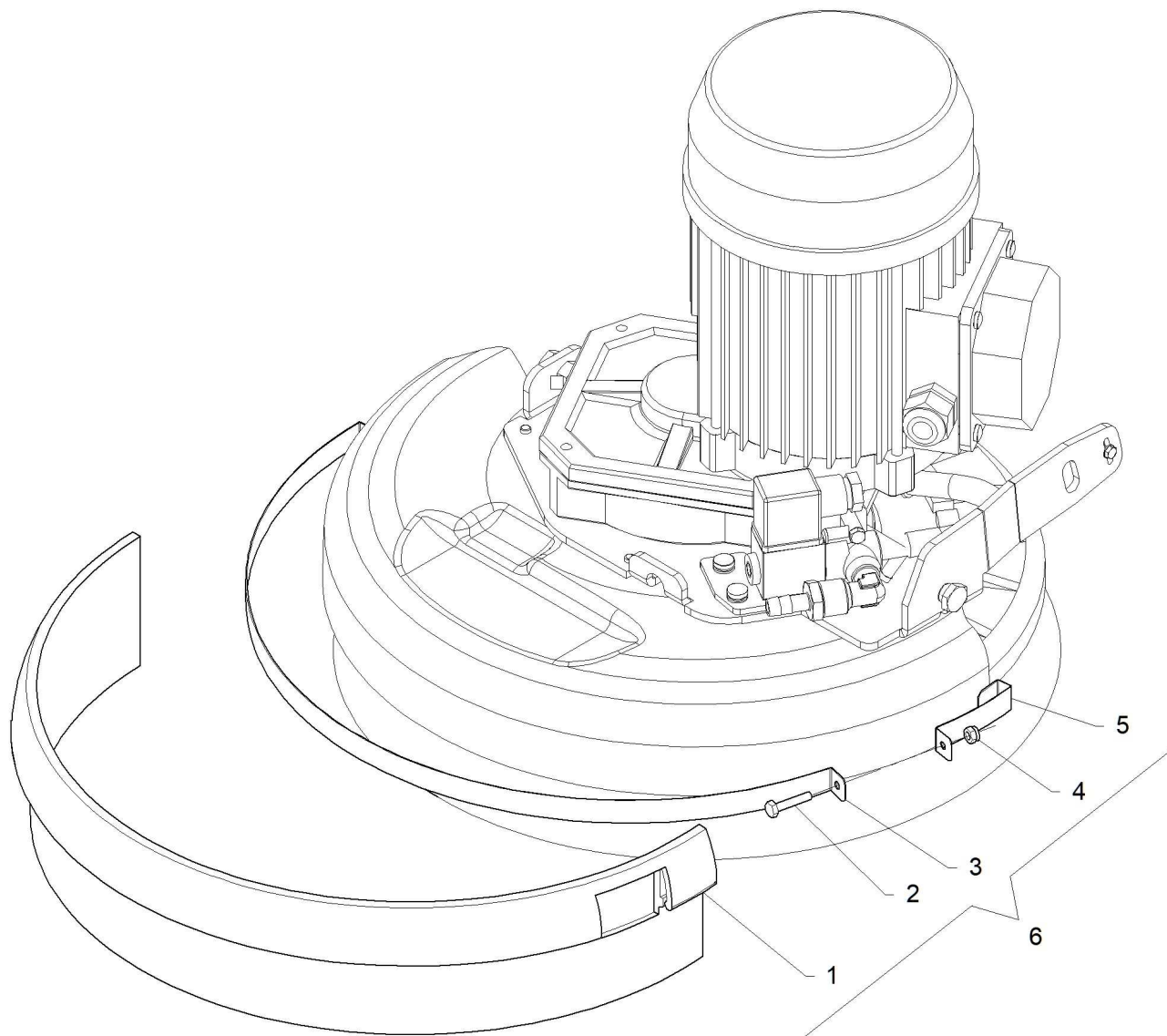
1102-10 R03 BRUSH BASE ASSEMBLY

Pos.	Code	Qty	Description
1	47597010	1	CONNECTOR FOR SOLENOID VALVE 47537040
2	62320100	1	90° 1/4" FITTING + HOSE CONNECTOR Ø10
4	60110406	1	SCREW M4x20 UNI 5739 DIN 933 INOX
5	47512070	1	SOLENOID VALVE BODY E150 1/4 (230V)
6	21002030	1	SOLENOID VALVE SUPPORT
7	47527030	1	COIL 230V FOR SOLENOID VALVE E150
8	60140510	1	SCREW M5x10 UNI 7687 DIN 7985 INOX
9	60505003	1	LOCK WASHER Ø 5 DIN 6798/A INOX
10	60305002	1	WASHER 5x10x1 UNI 6592 INOX
11	48511010	1	BRUSH BASE BABY 230V
12	47010010	1	SPACER Ø 25x18,2 h 9,5
13	21002010	1	FLANGE SPLINED HOLE
14	46200340	1	GEARED MOTOR 230V 450W 50Hz BABY E
15	20502350	1	ANTI-VIBRATION BUSHING
16	47630950	1	HOSE Ø 8x135 EXTRA CRYSTAL
17	60306011	1	WASHER 6x24x2 UNI 6593 INOX
18	60506008	1	SAFETY WASHER M 6 UNI 1746 INOX
19	60110610	1	SCREW M6x18 UNI 5739 DIN 933 INOX
20	21002060	1	BRUSH COVER EMBOSSED
21	60305006	1	WASHER 5x20x1,5 UNI 6593B DIN 9021 INOX

1102-10 R03 BRUSH BASE ASSEMBLY

Pos.	Code	Qty	Description
22	60505003	1	LOCK WASHER Ø 5 DIN 6798/A INOX
23	60110503	1	SCREW M5x12 UNI 5739 DIN 933 INOX
24	60130802	1	SCREW M8x14 UNI 5931 DIN 912 INOX
25	20302250	1	BRUSH PLATE PLASTIC
26	60220602	1	LOCK NUT M6 H6 UNI 7474 INOX
27	60306011	1	WASHER 6x24x2 UNI 6593 INOX
28	47230050	1	BLOCKING SPRING BRUSH
29	60110606	1	SCREW M6x14 UNI 5739 DIN 933 INOX
30	60508004	1	CONICAL WASHER Ø 8,5x22x1,2
31	47537040	1	SOLENOID VALVE 230V-50/60 HZ 1/4" E150
33	60100808	1	SCREW M8x50 UNI 5732 DIN 603/555
36	48903020	1	BRUSH Ø345 PPL 0,6
37	60308007	1	WASHER 8x24x2 UNI 6593 INOX
38	60508006	1	LOCK WASHER 8 DIN 127B INOX
39	47220020	1	TRACTION SPRING 15x2x60 - 2 EYELETS
40	61930011	1	SPRING CLAMP BIFILAR
41	V1002002	1	BRUSH PLATE ASSEMBLY
42	63502501	1	STARTING CAPACITOR 25µF WITH CABLE

1102-11 R00 SPLASH GUARD ASSEMBLY



1102-11 R00 SPLASH GUARD ASSEMBLY

Pos.	Code	Qty	Note	Description
1	48610010	1	OPT	SPLASH GUARD BABY
2	60110406	1	OPT	SCREW M4x20 UNI 5739 DIN 933 INOX
3	21002070	1	OPT	BLADE SPLASH GUARD LONG
4	60210401	1	OPT	NUT M4 H4 UNI 5587 INOX
5	21002080	1	OPT	BLADE SPLASH GUARD SHORT
6	V1002001	1	OPT	SPLASH GUARD ASSEMBLY BABY

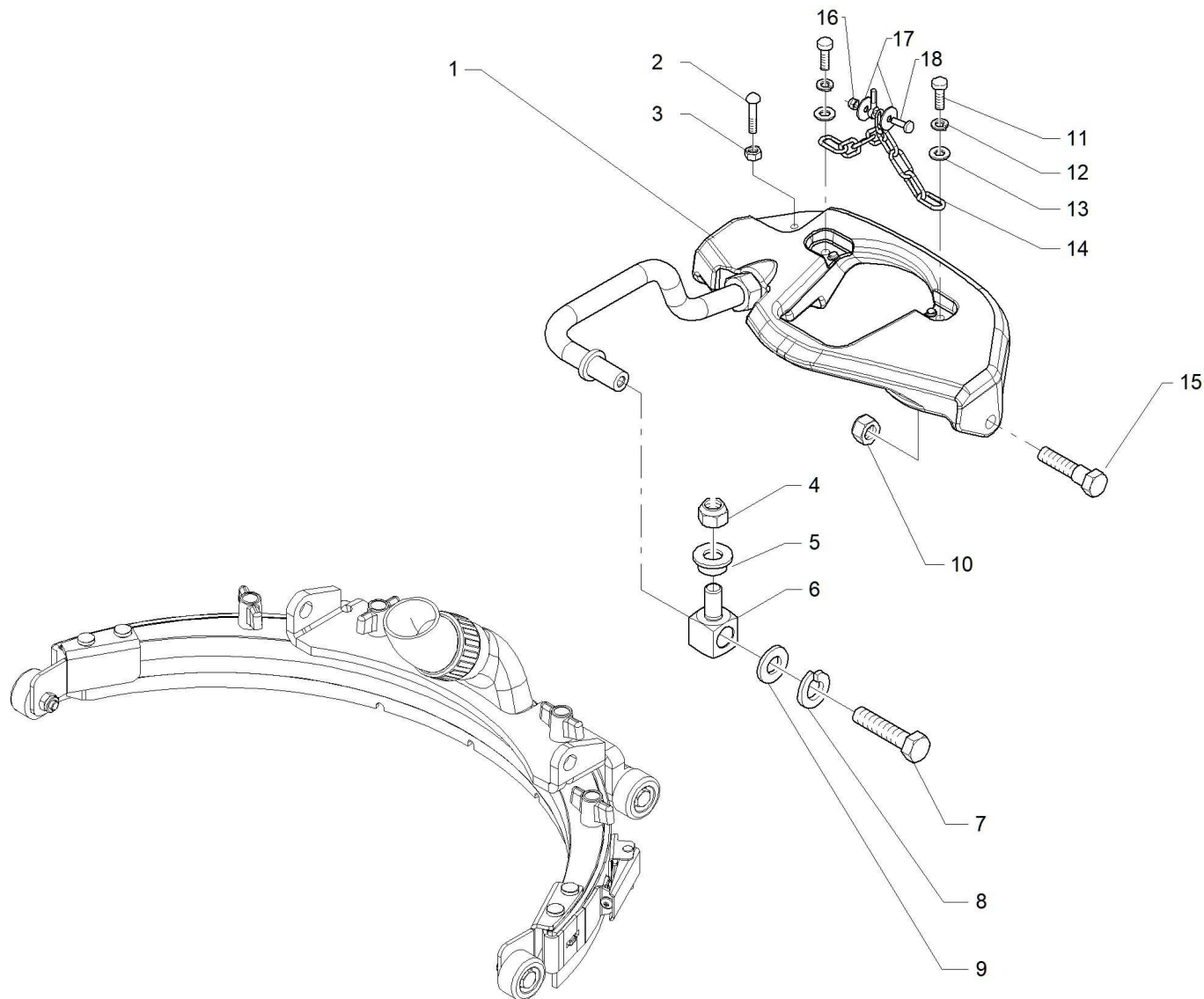
1104-10 R00 SQUEEGEE ASSEMBLY

Pos.	Code	Qty	Description
1	48310010	1	REAR RUBBER BLADE BABY
2	48410060	1	REAR SQUEEGEE RUBBER - PARA 33 SH
3	61706004	1	WING NUT GB34 M6 INOX
4	21005030	1	SQUEEGEE COUPLING BABY
5	48210010	1	SQUEEGEE BODY MM. 405 BABY
6	60140509	1	SCREW M5x12 UNI 8112 INOX
7	60110611	1	SCREW M6x20 UNI 5739 DIN 933 INOX
9	47110010	1	BUSHING 8x6,1 h8 CHROMIUM-PLATED
10	46550010	1	WHEEL Ø 27x13 HOLE Ø 8,1 SOFT
11	21004020	1	RIGHT SUPPORT SQUEEGEE WHEEL
12	60220602	1	LOCK NUT M6 H6 UNI 7474 INOX
13	60210601	1	NUT M6 H3 DIN 439 INOX
14	60170606	1	SCREW M6x40 UNI 6109 INOX
15	48210020	1	INNER RUBBER HOLDER SQUEEGEE BABY
16	48410010	1	FRONT SQUEEGEE RUBBER 3 NOTCHES - PARA 33 SH
17	60170605	1	SCREW M6x35 UNI 6109 INOX
18	21004030	1	LEFT SUPPORT SQUEEGEE WHEEL
19	60110616	1	SCREW M6x25 UNI 5739 DIN 933 INOX
20	21004010	1	COUPLER REAR RUBBER BLADE
21	62200006	1	CLOSING LEVER SOUTHCO INOX

1104-10 R00 SQUEEGEE ASSEMBLY

Pos.	Code	Qty	Description
22	60140201	1	SCREW M2,5x6 UNI 7687 DIN 7985 INOX
23	60210201	1	NUT M2,5 UNI 5587 INOX
24	V8210020	1	SQUEEGEE ASSEMBLY
25	60505003	1	LOCK WASHER Ø 5 DIN 6798/A INOX
26	V8310010	1	REAR RUBBER BLADE ASSEMBLY

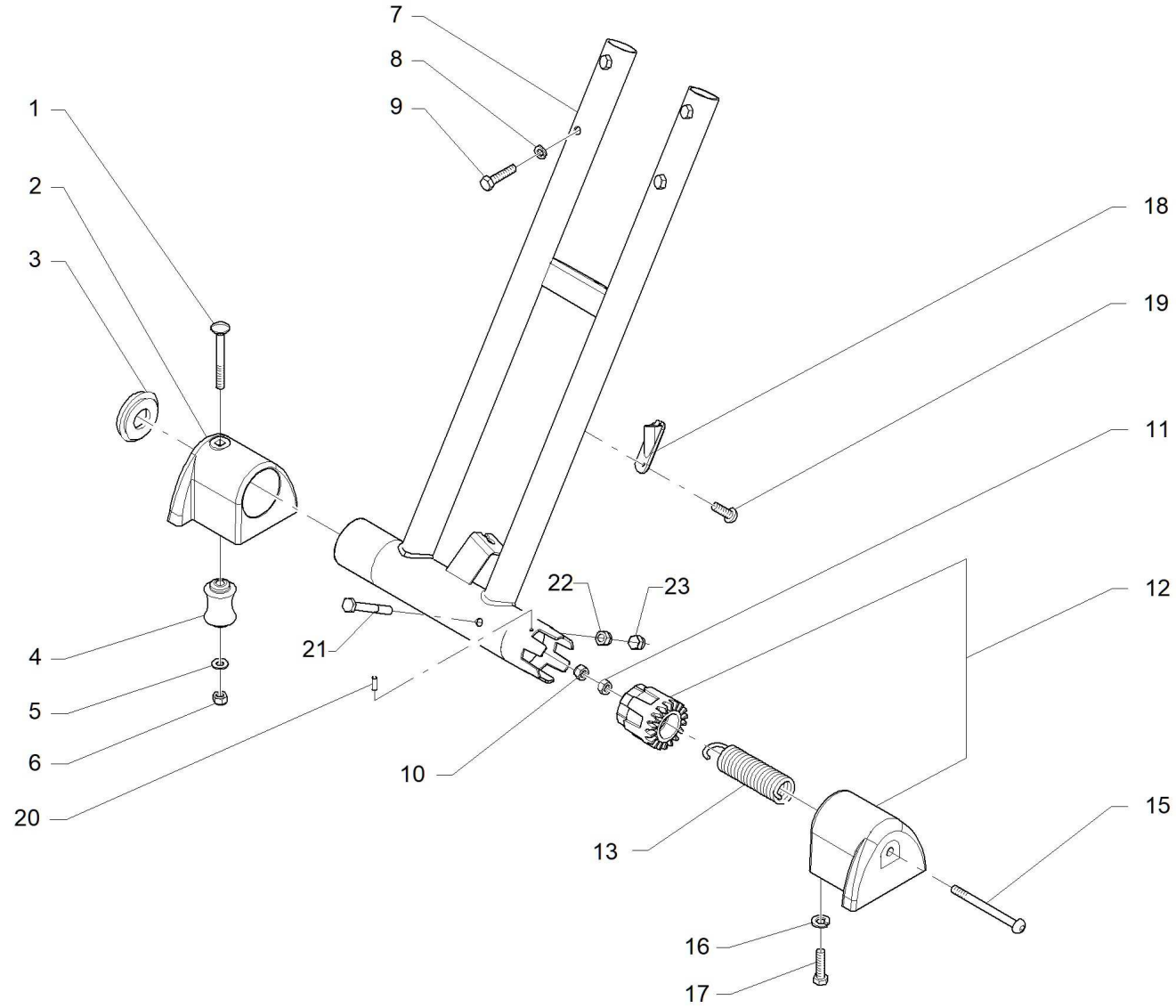
1105-10 R00 SQUEEGEE CONTROL ASSEMBLY



1105-10 R00 SQUEEGEE CONTROL ASSEMBLY

Pos.	Code	Qty	Description
1	V1005001	1	SQUEEGEE ARM PREASSEMBLED
2	60140513	1	SCREW M5x30 UNI 7687 DIN 7985 INOX
3	60210503	1	NUT M5 H5 UNI 5587
4	60221002	1	LOCK NUT M10 H10 UNI 7474
5	47110020	1	BUSHING Ø 22x10,1 h 5,8 BRASS
6	21005010	1	JOINT SQUEEGEE ARM
7	60110608	1	SCREW M6x16 UNI 5739 DIN 933
8	60506005	1	LOCK WASHER 6 GROWER DIN 127
9	60306007	1	WASHER 6x18x1,5 UNI 6593
10	60220803	1	LOCK NUT M8 H8 UNI 7474 INOX
11	60140503	1	SCREW M5x12 UNI 7687 DIN 7985
12	60505003	1	LOCK WASHER Ø 5 DIN 6798/A INOX
13	60305003	1	WASHER 5x15x 1,5 UNI 6593-DIN 9021
14	21005100	1	CHAIN NO. 14 ZINC-PLATED - 9 RINGS
15	20203050	1	STUD BOLT ARMS
16	60220502	1	LOCK NUT M5 H5 UNI 7474 DIN 985
17	60305005	1	WASHER 5x20x1,5 UNI 6593B DIN 9021
18	60140505	1	SCREW M5x16 UNI 7687 DIN 7985

1109-10 R00 ASSEMBLY HANDLE BAR SUPPORT



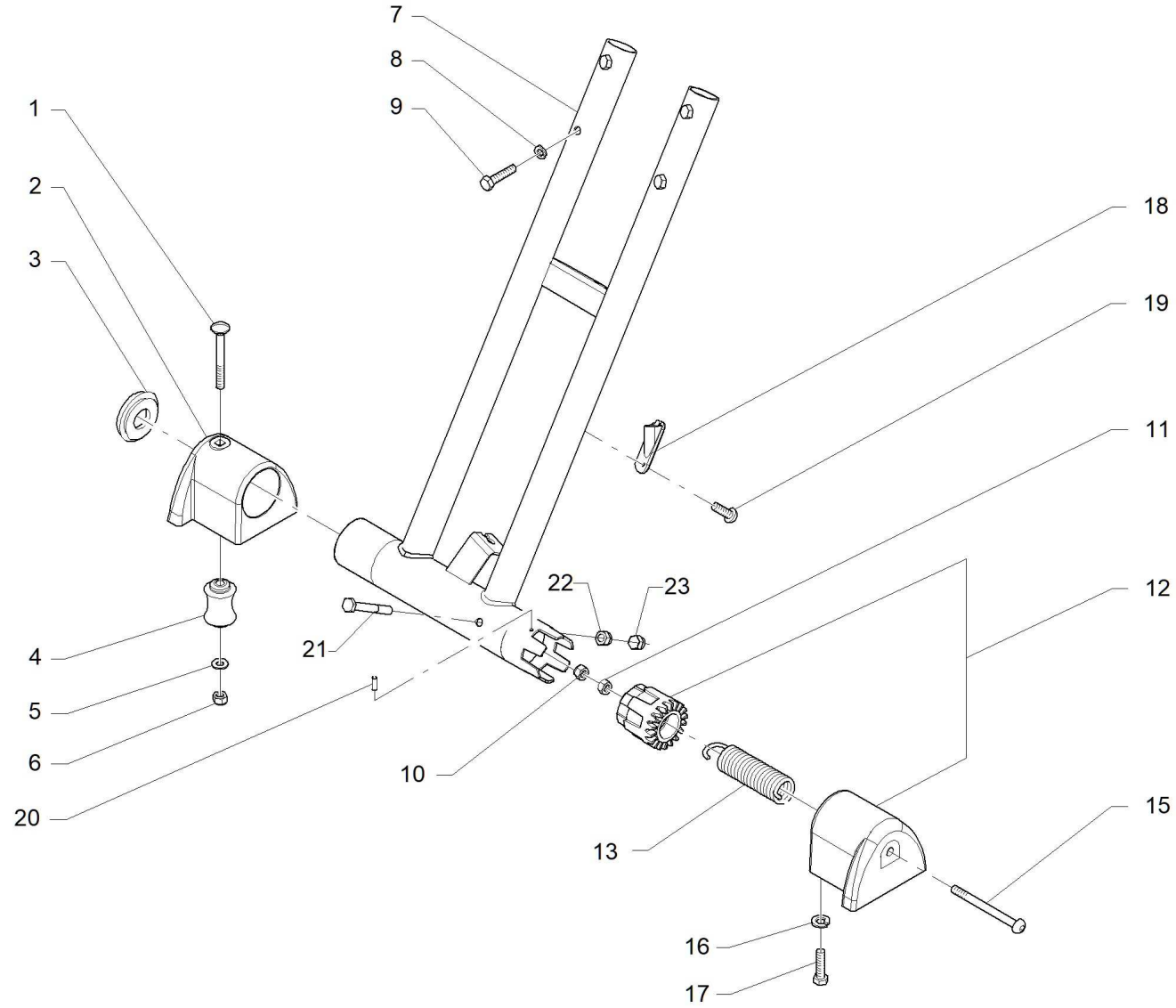
1109-10 R00 ASSEMBLY HANDLE BAR SUPPORT

Pos.	Code	Qty	Description
1	60100618	1	SCREW M6x60 UNI 5732 PARTIAL THREAD
2	21009020	1	RIGHT SUPPORT HANDLEBAR
3	62030020	1	CAP TPFL 24,5
4	21009040	1	SPOOL
5	60306007	1	WASHER 6x18x1,5 UNI 6593
6	60220603	1	LOCK NUT M6 H8 UNI 7473 DIN 982
7	21109010	1	HANDLEBAR TUBE BABY 230V
8	60506002	1	LOCK WASHER Ø 6 DIN 6798/A
9	60110619	1	SCREW M6x35 UNI 5739 DIN 933 (8.8)
10	60220601	1	LOCK NUT M6 H6 UNI 7474 DIN 985
11	60210608	1	NUT M6 H5 UNI 5588-ISO4032
12	V1009010	1	TOOTHED HANDLE BAR SUPPORT ASSEMBLY
13	47220090	1	TRACTION SPRING 18,3x2,8x62 - 1 EYELET
15	60100696	1	SCREW M6x60 ISO 7380
16	60506005	1	LOCK WASHER 6 GROWER DIN 127
17	60110608	1	SCREW M6x16 UNI 5739 DIN 933
18	63713002	1	FAIRLEAD 5438/20
19	60190306	1	SCREW Ø 2,9x9,5 UNI 6954 DIN 7981
20	60603002	1	SPRING PIN Ø 3x8 DIN 1481
21	60110627	1	SCREW M6x50 UNI 5737 DIN 931 (8.8)

1109-10 R00 ASSEMBLY HANDLE BAR SUPPORT

Pos.	Code	Qty	Description
22	60220603	1	LOCK NUT M6 H8 UNI 7473 DIN 982
23	62040003	1	NUT COVER BLACK M6 -ES 10-

1109-10 R01 ASSEMBLY HANDLE BAR SUPPORT



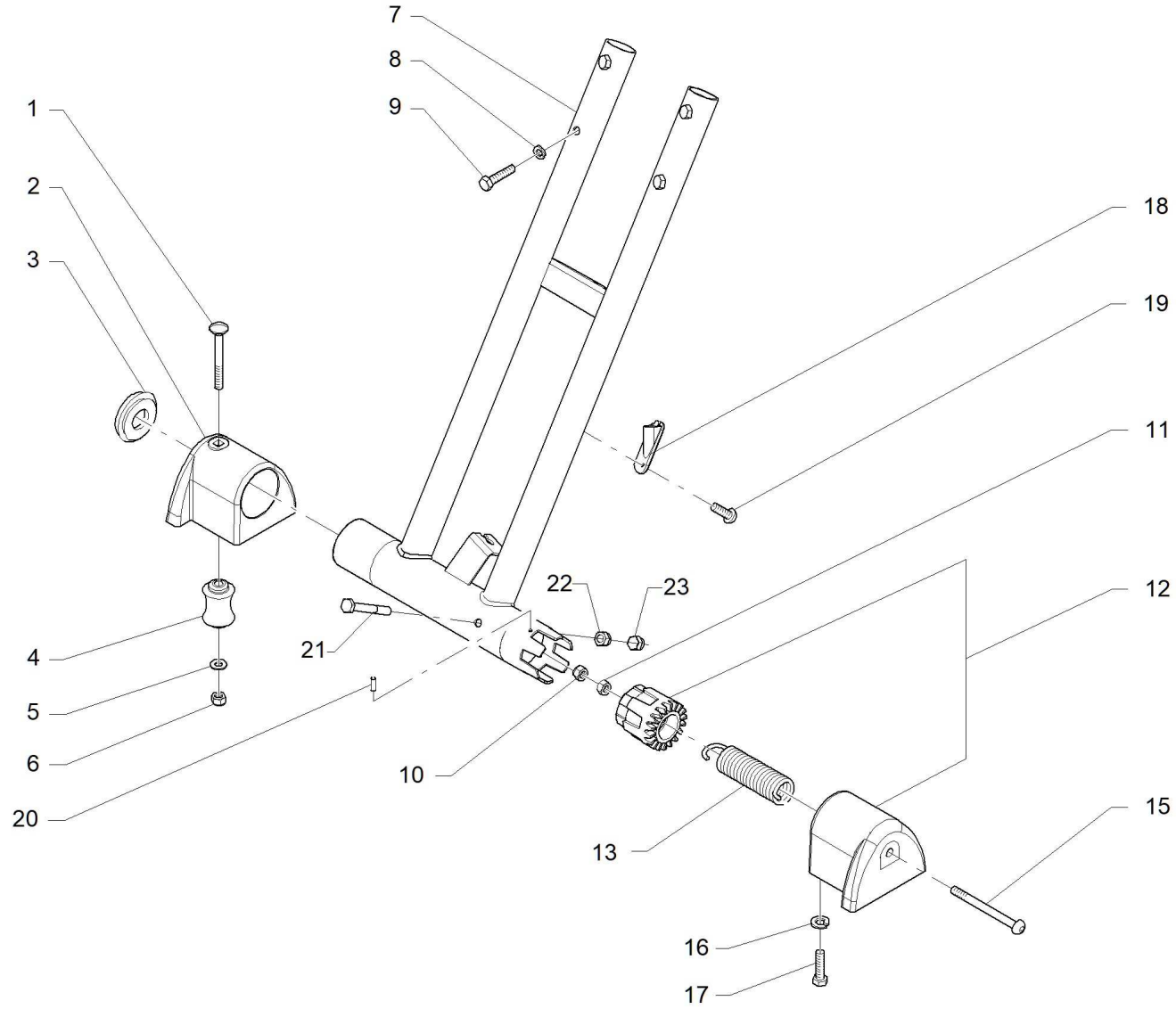
1109-10 R01 ASSEMBLY HANDLE BAR SUPPORT

Pos.	Code	Qty	Description
1	60100618	1	SCREW M6x60 UNI 5732 PARTIAL THREAD
2	21009020	1	RIGHT SUPPORT HANDLEBAR
3	62030020	1	CAP TPFL 24,5
4	21009040	1	SPOOL
5	60306007	1	WASHER 6x18x1,5 UNI 6593
6	60220603	1	LOCK NUT M6 H8 UNI 7473 DIN 982
7	21109030	1	HANDLEBAR TUBE BABY 230V
8	60506002	1	LOCK WASHER Ø 6 DIN 6798/A
9	60110619	1	SCREW M6x35 UNI 5739 DIN 933 (8.8)
10	60220601	1	LOCK NUT M6 H6 UNI 7474 DIN 985
11	60210608	1	NUT M6 H5 UNI 5588-ISO4032
12	V1009010	1	TOOTHED HANDLE BAR SUPPORT ASSEMBLY
13	47220090	1	TRACTION SPRING 18,3x2,8x62 - 1 EYELET
15	60100696	1	SCREW M6x60 ISO 7380
16	60506005	1	LOCK WASHER 6 GROWER DIN 127
17	60110608	1	SCREW M6x16 UNI 5739 DIN 933
18	63713002	1	FAIRLEAD 5438/20
19	60190306	1	SCREW Ø 2,9x9,5 UNI 6954 DIN 7981
20	60603002	1	SPRING PIN Ø 3x8 DIN 1481
21	60110627	1	SCREW M6x50 UNI 5737 DIN 931 (8.8)

1109-10 R01 ASSEMBLY HANDLE BAR SUPPORT

Pos.	Code	Qty	Description
22	60220603	1	LOCK NUT M6 H8 UNI 7473 DIN 982
23	62040003	1	NUT COVER BLACK M6 -ES 10-

1109-10 R02 ASSEMBLY HANDLE BAR SUPPORT



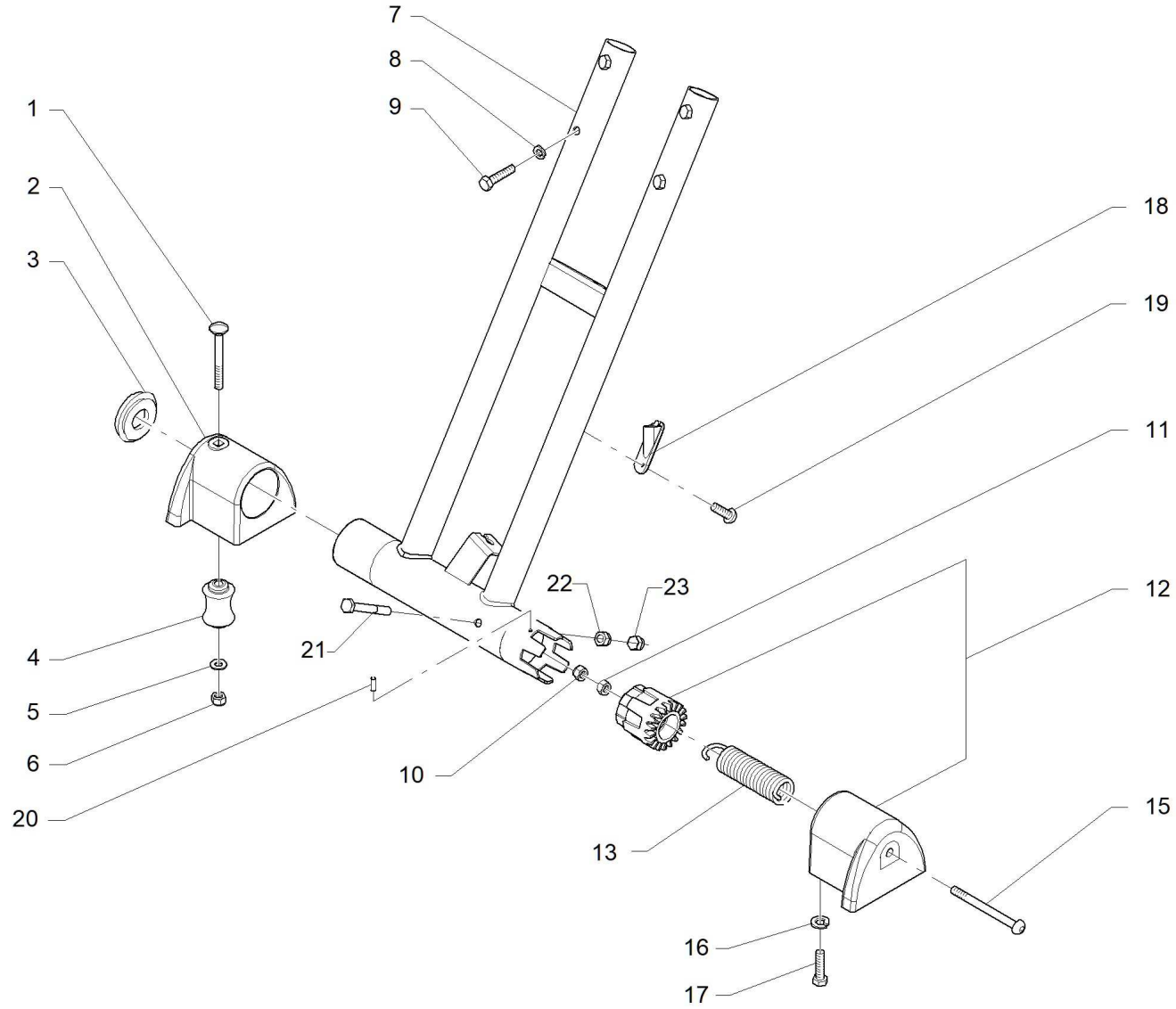
1109-10 R02 ASSEMBLY HANDLE BAR SUPPORT

Pos.	Code	Qty	Description
1	60100618	1	SCREW M6x60 UNI 5732 PARTIAL THREAD
2	21009020	1	RIGHT SUPPORT HANDLEBAR
3	62030020	1	CAP TPFL 24,5
4	21009040	1	SPOOL
5	60306007	1	WASHER 6x18x1,5 UNI 6593
6	60220603	1	LOCK NUT M6 H8 UNI 7473 DIN 982
7	21109030	1	HANDLEBAR TUBE BABY 230V
8	60506002	1	LOCK WASHER Ø 6 DIN 6798/A
9	60110619	1	SCREW M6x35 UNI 5739 DIN 933 (8.8)
10	60220601	1	LOCK NUT M6 H6 UNI 7474 DIN 985
11	60210608	1	NUT M6 H5 UNI 5588-ISO4032
12	V1009010	1	TOOTHED HANDLE BAR SUPPORT ASSEMBLY
13	47220090	1	TRACTION SPRING 18,3x2,8x62 - 1 EYELET
15	60100696	1	SCREW M6x60 ISO 7380
16	60506009	1	WASHER SCHNORR Ø 6x10x0,7 TYPE S
17	60110608	1	SCREW M6x16 UNI 5739 DIN 933
18	63713002	1	FAIRLEAD 5438/20
19	60190306	1	SCREW Ø 2,9x9,5 UNI 6954 DIN 7981
20	60603002	1	SPRING PIN Ø 3x8 DIN 1481
21	60110627	1	SCREW M6x50 UNI 5737 DIN 931 (8.8)

1109-10 R02 ASSEMBLY HANDLE BAR SUPPORT

Pos.	Code	Qty	Description
22	60220603	1	LOCK NUT M6 H8 UNI 7473 DIN 982
23	62040003	1	NUT COVER BLACK M6 -ES 10-

1109-10 R03 ASSEMBLY HANDLE BAR SUPPORT



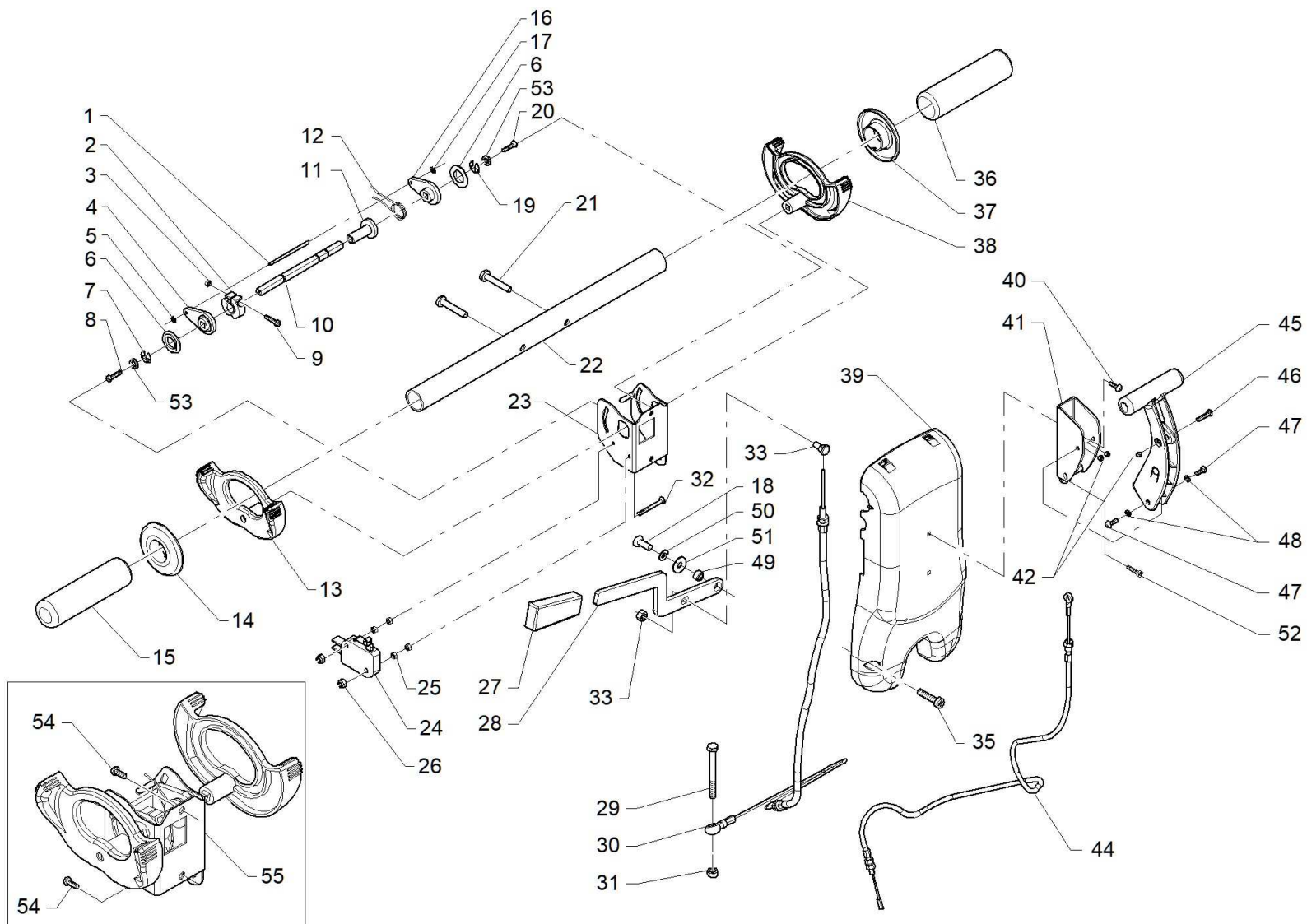
1109-10 R03 ASSEMBLY HANDLE BAR SUPPORT

Pos.	Code	Qty	Description
1	60100618	1	SCREW M6x60 UNI 5732 PARTIAL THREAD
2	21009020	1	RIGHT SUPPORT HANDLEBAR
3	62030020	1	CAP TPFL 24,5
4	21009040	1	SPOOL
5	60306007	1	WASHER 6x18x1,5 UNI 6593
6	60220603	1	LOCK NUT M6 H8 UNI 7473 DIN 982
7	21109030	1	HANDLEBAR TUBE BABY 230V
8	60506002	1	LOCK WASHER Ø 6 DIN 6798/A
9	60190601	1	SCREW Ø 6x35
10	60220601	1	LOCK NUT M6 H6 UNI 7474 DIN 985
11	60210608	1	NUT M6 H5 UNI 5588-ISO4032
12	V1009010	1	TOOTHED HANDLE BAR SUPPORT ASSEMBLY
13	47220090	1	TRACTION SPRING 18,3x2,8x62 - 1 EYELET
15	60100696	1	SCREW M6x60 ISO 7380
16	60506009	1	WASHER SCHNORR Ø 6x10x0,7 TYPE S
17	60110608	1	SCREW M6x16 UNI 5739 DIN 933
18	63713002	1	FAIRLEAD 5438/20
19	60190306	1	SCREW Ø 2,9x9,5 UNI 6954 DIN 7981
20	60603002	1	SPRING PIN Ø 3x8 DIN 1481
21	60110627	1	SCREW M6x50 UNI 5737 DIN 931 (8.8)

1109-10 R03 ASSEMBLY HANDLE BAR SUPPORT

Pos.	Code	Qty	Description
22	60220603	1	LOCK NUT M6 H8 UNI 7473 DIN 982
23	62040003	1	NUT COVER BLACK M6 -ES 10-

1109-20 R00 CONTROL LEVERS-HANDLE BAR



1109-20 R00 CONTROL LEVERS-HANDLE BAR

Pos.	Code	Qty	Description
1	20113090	1	SPRING STOP INOX
2	20113100	1	CAM MICRO AUXILIARY CONTROL
3	60210302	1	NUT M3 H3 UNI 5587 BRASS
4	20113060	1	LEVER
5	61140002	1	SELF-LOCKING RING ZA 3
6	47101080	1	BUSHING DRAW.01.13.05
7	61140001	1	ELASTIC RING RS5 DIN 6799
8	60140301	1	SCREW M3x10 UNI 7687 DIN 7985
9	60140304	1	SCREW M3x14 UNI 7687 DIN 7985
10	20113040	1	CAMSHAFT
11	47101120	1	BUSHING DIS.01.13.14
12	47230020	1	SPRING DRIVE CONTROL
13	20113010	1	LEVER DRIVE CONTROL
14	20109020	1	KNOB PROTECTION
15	61810001	1	KNOB Ø 30x110 (HOLE Ø 23,5)
16	20113050	1	LEVER SPRING SIDE
17	61140002	1	SELF-LOCKING RING ZA 3
18	60140602	1	SCREW M6x20 UNI 8112
19	61140001	1	ELASTIC RING RS5 DIN 6799
20	60140301	1	SCREW M3x10 UNI 7687 DIN 7985

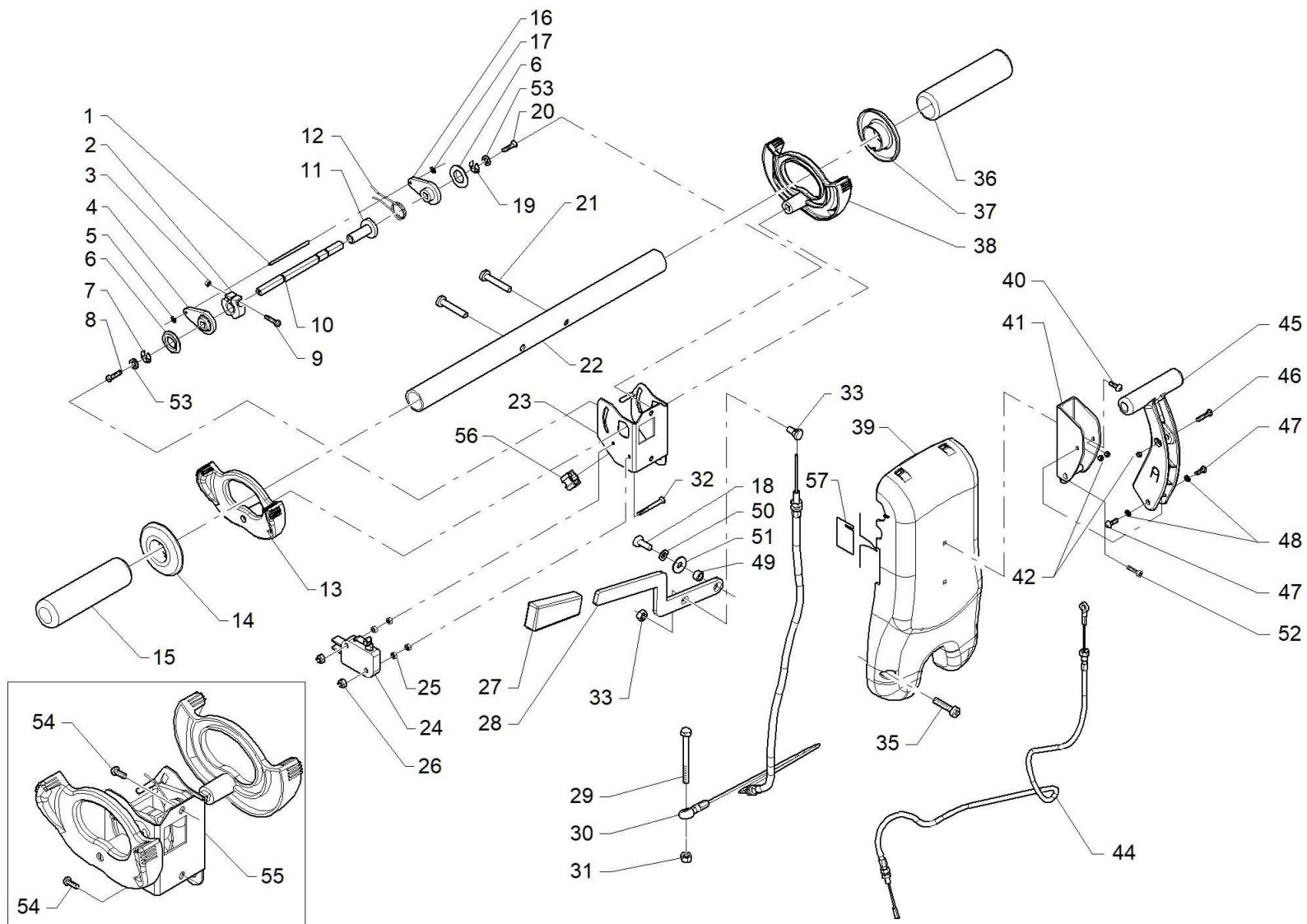
1109- 20 R00 CONTROL LEVERS-HANDLE BAR

Pos.	Code	Qty	Description
21	60110619	1	SCREW M6x35 UNI 5739 DIN 933 (8.8)
22	20109010	1	HANDLEBAR TUBE
23	20113030	1	SUPPORT DRIVE CONTROL AMBER 24V
24	63409001	1	MICROSWITCH 10A 3x22 SHORT LEVER+ROLLER
25	60210302	1	NUT M3 H3 UNI 5587 BRASS
26	60220301	1	LOCK NUT M3 H4 UNI 7473 DIN 982
27	61810002	1	FLAT KNOB 29x70 (15x5)
28	21009050	1	RELEASE LEVER HANDLEBAR
29	60110627	1	SCREW M6x50 UNI 5737 DIN 931 (8.8)
30	21109020	1	ROPE HANDLE BAR BABY 230V
31	60220603	1	LOCK NUT M6 H8 UNI 7473 DIN 982
32	60140305	1	SCREW M3x25 UNI 7687 DIN 7985
33	62406030	1	HOLDFAST M6 FOR CABLE Ø 3MM
35	60190406	1	SCREW Ø 4,0x25
36	61810001	1	KNOB Ø 30x110 (HOLE Ø 23,5)
37	20109020	1	KNOB PROTECTION
38	20113010	1	LEVER DRIVE CONTROL
39	49210010	1	HANDLEBAR BODY BABY
40	60140508	1	SCREW M5x12 UNI 8112 ZINC-PLATED
41	21005040	1	SUPPORT SQUEEGEE CONTROL LEVER

1109-20 R00 CONTROL LEVERS-HANDLE BAR

Pos.	Code	Qty	Description
42	60220502	1	LOCK NUT M5 H5 UNI 7474 DIN 985
44	21005130	1	SQUEEGEE CABLE
45	21005050	1	SQUEEGEE LEVER
46	60140506	1	SCREW M5x20 UNI 7687 DIN 7985
47	60140508	1	SCREW M5x12 UNI 8112 ZINC-PLATED
48	60505001	1	LOCK WASHER Ø 5 DIN 6798/A
49	47110030	1	BUSHING Ø 10x6,2 h5,3
50	60506005	1	LOCK WASHER 6 GROWER DIN 127
51	60306007	1	WASHER 6x18x1,5 UNI 6593
52	60140508	1	SCREW M5x12 UNI 8112 ZINC-PLATED
53	60503002	1	LOCK WASHER Ø 3 DIN 6798/A
54	60140502	1	SCREW M5x8 UNI 8112
55	V0113001	1	DRIVE CONTROL ASSY RUBY

1109-20 R01 CONTROL LEVERS-HANDLE BAR



1109-20 R01 CONTROL LEVERS-HANDLE BAR

Pos.	Code	Qty	Description
1	20113090	1	SPRING STOP INOX
2	20113100	1	CAM MICRO AUXILIARY CONTROL
3	60210302	1	NUT M3 H3 UNI 5587 BRASS
4	20113060	1	LEVER
5	61140002	1	SELF-LOCKING RING ZA 3
6	47101080	1	BUSHING DRAW.01.13.05
7	61140001	1	ELASTIC RING RS5 DIN 6799
8	60140301	1	SCREW M3x10 UNI 7687 DIN 7985
9	60140304	1	SCREW M3x14 UNI 7687 DIN 7985
10	20113040	1	CAMSHAFT
11	47101120	1	BUSHING DIS.01.13.14
12	47230020	1	SPRING DRIVE CONTROL
13	20113010	1	LEVER DRIVE CONTROL
14	20109020	1	KNOB PROTECTION
15	61810001	1	KNOB Ø 30x110 (HOLE Ø 23,5)
16	20113050	1	LEVER SPRING SIDE
17	61140002	1	SELF-LOCKING RING ZA 3
18	60140602	1	SCREW M6x20 UNI 8112
19	61140001	1	ELASTIC RING RS5 DIN 6799
20	60140301	1	SCREW M3x10 UNI 7687 DIN 7985

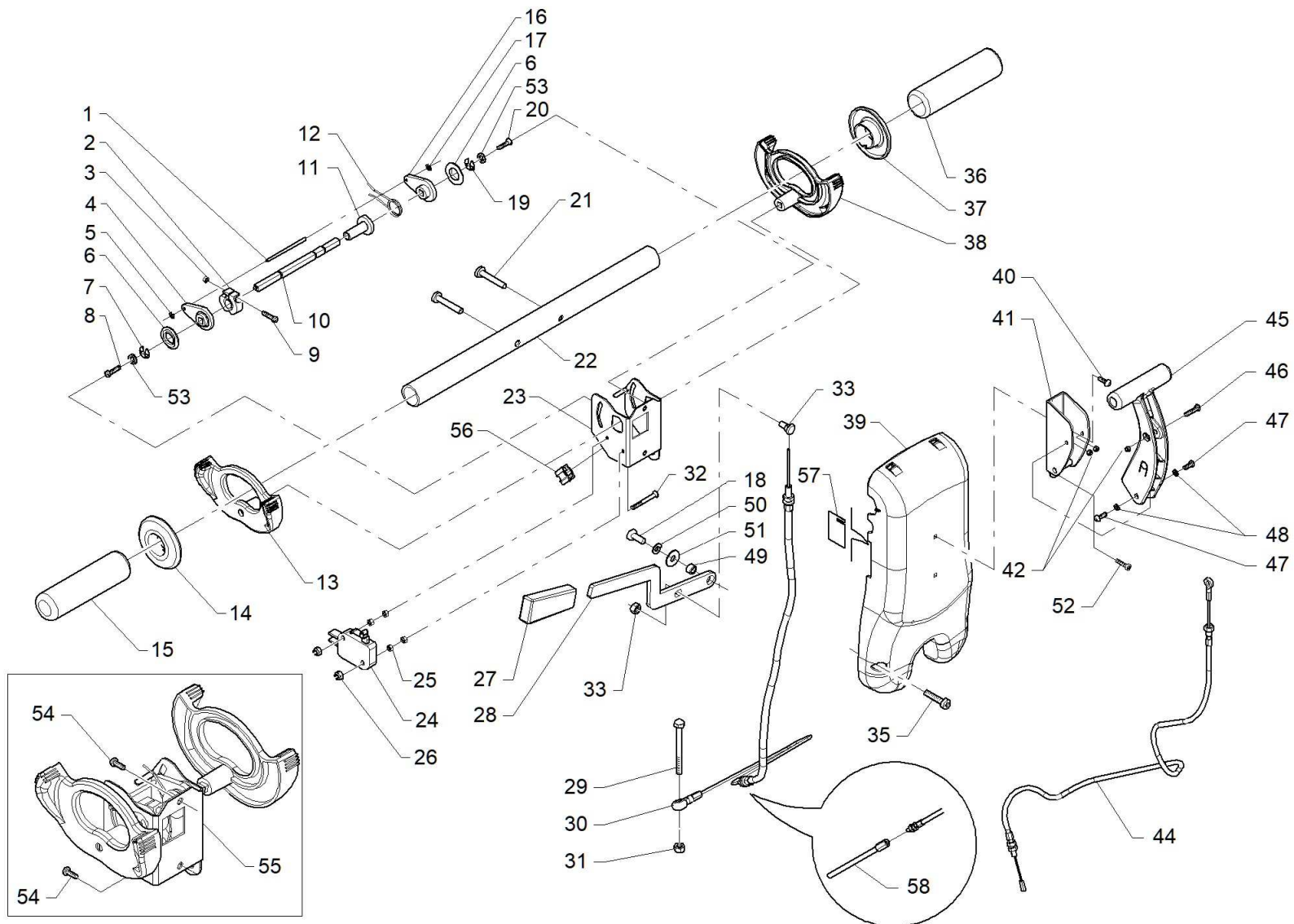
1109-20 R01 CONTROL LEVERS-HANDLE BAR

Pos.	Code	Qty	Description
21	60110619	1	SCREW M6x35 UNI 5739 DIN 933 (8.8)
22	20109010	1	HANDLEBAR TUBE
23	20113030	1	SUPPORT DRIVE CONTROL AMBER 24V
24	63409001	1	MICROSWITCH 10A 3x22 SHORT LEVER+ROLLER
25	60210302	1	NUT M3 H3 UNI 5587 BRASS
26	60220301	1	LOCK NUT M3 H4 UNI 7473 DIN 982
27	61810002	1	FLAT KNOB 29x70 (15x5)
28	21009050	1	RELEASE LEVER HANDLEBAR
29	60110627	1	SCREW M6x50 UNI 5737 DIN 931 (8.8)
30	21109020	1	ROPE HANDLE BAR BABY 230V
31	60220603	1	LOCK NUT M6 H8 UNI 7473 DIN 982
32	60140305	1	SCREW M3x25 UNI 7687 DIN 7985
33	62406030	1	HOLDFAST M6 FOR CABLE Ø 3MM
35	60190406	1	SCREW Ø 4,0x25
36	61810001	1	KNOB Ø 30x110 (HOLE Ø 23,5)
37	20109020	1	KNOB PROTECTION
38	20113010	1	LEVER DRIVE CONTROL
39	49210010	1	HANDLEBAR BODY BABY
40	60140508	1	SCREW M5x12 UNI 8112 ZINC-PLATED
41	21005040	1	SUPPORT SQUEEGEE CONTROL LEVER

1109-20 R01 CONTROL LEVERS-HANDLE BAR

Pos.	Code	Qty	Description
42	60220502	1	LOCK NUT M5 H5 UNI 7474 DIN 985
44	21005130	1	SQUEEGEE CABLE
45	21005050	1	SQUEEGEE LEVER
46	60140506	1	SCREW M5x20 UNI 7687 DIN 7985
47	60140508	1	SCREW M5x12 UNI 8112 ZINC-PLATED
48	60505001	1	LOCK WASHER Ø 5 DIN 6798/A
49	47110030	1	BUSHING Ø 10x6,2 h5,3
50	60506005	1	LOCK WASHER 6 GROWER DIN 127
51	60306007	1	WASHER 6x18x1,5 UNI 6593
52	60140508	1	SCREW M5x12 UNI 8112 ZINC-PLATED
53	60503002	1	LOCK WASHER Ø 3 DIN 6798/A
54	60140502	1	SCREW M5x8 UNI 8112
55	V0113001	1	DRIVE CONTROL ASSY RUBY
56	63714003	1	CLIP CLAMP HOLDER
57	21009080	1	PROTECTION HANDLE BAR

1109-20 R02 CONTROL LEVERS-HANDLE BAR



1109-20 R02 CONTROL LEVERS-HANDLE BAR

Pos.	Code	Qty	Description
1	20113090	1	SPRING STOP INOX
2	20113100	1	CAM MICRO AUXILIARY CONTROL
3	60210302	1	NUT M3 H3 UNI 5587 BRASS
4	20113060	1	LEVER
5	61140002	1	SELF-LOCKING RING ZA 3
6	47101080	1	BUSHING DRAW.01.13.05
7	61140001	1	ELASTIC RING RS5 DIN 6799
8	60140301	1	SCREW M3x10 UNI 7687 DIN 7985
9	60140304	1	SCREW M3x14 UNI 7687 DIN 7985
10	20113040	1	CAMSHAFT
11	47101120	1	BUSHING DIS.01.13.14
12	47230020	1	SPRING DRIVE CONTROL
13	20113010	1	LEVER DRIVE CONTROL
14	20109020	1	KNOB PROTECTION
15	61810001	1	KNOB Ø 30x110 (HOLE Ø 23,5)
16	20113050	1	LEVER SPRING SIDE
17	61140002	1	SELF-LOCKING RING ZA 3
18	60140602	1	SCREW M6x20 UNI 8112
19	61140001	1	ELASTIC RING RS5 DIN 6799
20	60140301	1	SCREW M3x10 UNI 7687 DIN 7985

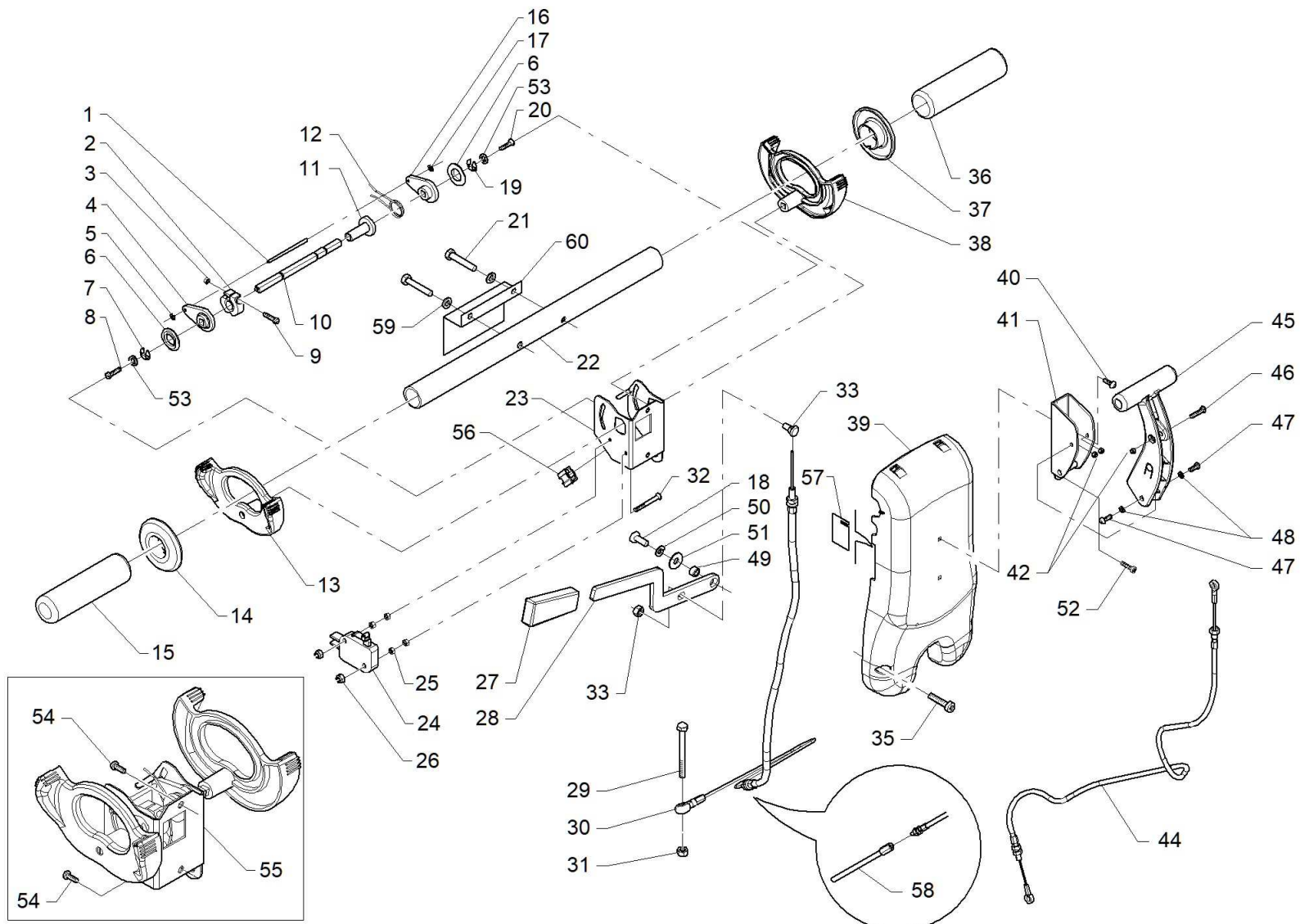
1109-20 R02 CONTROL LEVERS-HANDLE BAR

Pos.	Code	Qty	Description
21	60110619	1	SCREW M6x35 UNI 5739 DIN 933 (8.8)
22	20109010	1	HANDLEBAR TUBE
23	20113030	1	SUPPORT DRIVE CONTROL AMBER 24V
24	63409001	1	MICROSWITCH 10A 3x22 SHORT LEVER+ROLLER
25	60210302	1	NUT M3 H3 UNI 5587 BRASS
26	60220301	1	LOCK NUT M3 H4 UNI 7473 DIN 982
27	61810002	1	FLAT KNOB 29x70 (15x5)
28	21009050	1	RELEASE LEVER HANDLEBAR
29	60110627	1	SCREW M6x50 UNI 5737 DIN 931 (8.8)
30	21109020	1	ROPE HANDLE BAR BABY 230V
31	60220603	1	LOCK NUT M6 H8 UNI 7473 DIN 982
32	60140305	1	SCREW M3x25 UNI 7687 DIN 7985
33	62406030	1	HOLDFAST M6 FOR CABLE Ø 3MM
35	60190406	1	SCREW Ø 4,0x25
36	61810001	1	KNOB Ø 30x110 (HOLE Ø 23,5)
37	20109020	1	KNOB PROTECTION
38	20113010	1	LEVER DRIVE CONTROL
39	49210010	1	HANDLEBAR BODY BABY
40	60140508	1	SCREW M5x12 UNI 8112 ZINC-PLATED
41	21005040	1	SUPPORT SQUEEGEE CONTROL LEVER

1109-20 R02 CONTROL LEVERS-HANDLE BAR

Pos.	Code	Qty	Description
42	60220502	1	LOCK NUT M5 H5 UNI 7474 DIN 985
44	21005130	1	SQUEEGEE CABLE
45	21005050	1	SQUEEGEE LEVER
46	60140506	1	SCREW M5x20 UNI 7687 DIN 7985
47	60140508	1	SCREW M5x12 UNI 8112 ZINC-PLATED
48	60505001	1	LOCK WASHER Ø 5 DIN 6798/A
49	47110030	1	BUSHING Ø 10x6,2 h5,3
50	60506005	1	LOCK WASHER 6 GROWER DIN 127
51	60306007	1	WASHER 6x18x1,5 UNI 6593
52	60140508	1	SCREW M5x12 UNI 8112 ZINC-PLATED
53	60503002	1	LOCK WASHER Ø 3 DIN 6798/A
54	60140502	1	SCREW M5x8 UNI 8112
55	V0113001	1	DRIVE CONTROL ASSY RUBY
56	63714003	1	CLIP CLAMP HOLDER
57	21009080	1	PROTECTION HANDLE BAR
58	21009090	1	EXTENSION SHEATH

1109-20 R03 CONTROL LEVERS-HANDLE BAR



1109-20 R03 CONTROL LEVERS-HANDLE BAR

Pos.	Code	Qty	Description
1	20113090	1	SPRING STOP INOX
2	20113100	1	CAM MICRO AUXILIARY CONTROL
3	60210302	1	NUT M3 H3 UNI 5587 BRASS
4	20113060	1	LEVER
5	61140002	1	SELF-LOCKING RING ZA 3
6	47101080	1	BUSHING DRAW.01.13.05
7	61140001	1	ELASTIC RING RS5 DIN 6799
8	60140301	1	SCREW M3x10 UNI 7687 DIN 7985
9	60140304	1	SCREW M3x14 UNI 7687 DIN 7985
10	20113040	1	CAMSHAFT
11	47101120	1	BUSHING DIS.01.13.14
12	47230020	1	SPRING DRIVE CONTROL
13	20113010	1	LEVER DRIVE CONTROL
14	20109020	1	KNOB PROTECTION
15	61810001	1	KNOB Ø 30x110 (HOLE Ø 23,5)
16	20113050	1	LEVER SPRING SIDE
17	61140002	1	SELF-LOCKING RING ZA 3
18	60140602	1	SCREW M6x20 UNI 8112
19	61140001	1	ELASTIC RING RS5 DIN 6799
20	60140301	1	SCREW M3x10 UNI 7687 DIN 7985

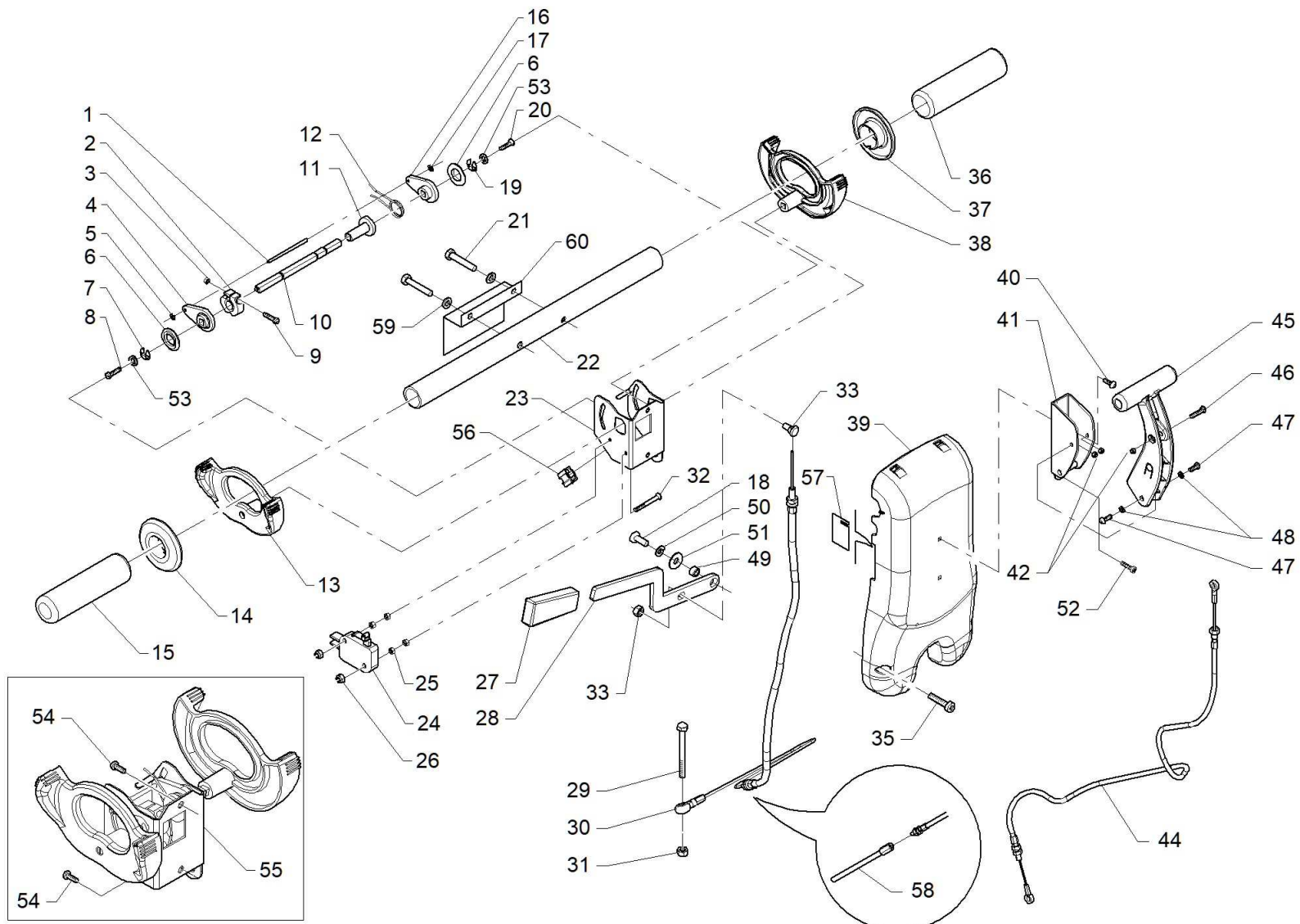
1109-20 R03 CONTROL LEVERS-HANDLE BAR

Pos.	Code	Qty	Description
21	60110619	1	SCREW M6x35 UNI 5739 DIN 933 (8.8)
22	20109010	1	HANDLEBAR TUBE
23	20113030	1	SUPPORT DRIVE CONTROL AMBER 24V
24	63409001	1	MICROSWITCH 10A 3x22 SHORT LEVER+ROLLER
25	60210302	1	NUT M3 H3 UNI 5587 BRASS
26	60220301	1	LOCK NUT M3 H4 UNI 7473 DIN 982
27	61810002	1	FLAT KNOB 29x70 (15x5)
28	21009050	1	RELEASE LEVER HANDLEBAR
29	60110627	1	SCREW M6x50 UNI 5737 DIN 931 (8.8)
30	21109020	1	ROPE HANDLE BAR BABY 230V
31	60220603	1	LOCK NUT M6 H8 UNI 7473 DIN 982
32	60140305	1	SCREW M3x25 UNI 7687 DIN 7985
33	62406030	1	HOLDFAST M6 FOR CABLE Ø 3MM
35	60190406	1	SCREW Ø 4,0x25
36	61810001	1	KNOB Ø 30x110 (HOLE Ø 23,5)
37	20109020	1	KNOB PROTECTION
38	20113010	1	LEVER DRIVE CONTROL
39	49210010	1	HANDLEBAR BODY BABY
40	60140508	1	SCREW M5x12 UNI 8112 ZINC-PLATED
41	21005040	1	SUPPORT SQUEEGEE CONTROL LEVER

1109-20 R03 CONTROL LEVERS-HANDLE BAR

Pos.	Code	Qty	Description
42	60220502	1	LOCK NUT M5 H5 UNI 7474 DIN 985
44	21005130	1	SQUEEGEE CABLE
45	21005050	1	SQUEEGEE LEVER
46	60140506	1	SCREW M5x20 UNI 7687 DIN 7985
47	60140508	1	SCREW M5x12 UNI 8112 ZINC-PLATED
48	60505001	1	LOCK WASHER Ø 5 DIN 6798/A
49	47110030	1	BUSHING Ø 10x6,2 h5,3
50	60506005	1	LOCK WASHER 6 GROWER DIN 127
51	60306007	1	WASHER 6x18x1,5 UNI 6593
52	60140508	1	SCREW M5x12 UNI 8112 ZINC-PLATED
53	60503002	1	LOCK WASHER Ø 3 DIN 6798/A
54	60140502	1	SCREW M5x8 UNI 8112
55	V0113001	1	DRIVE CONTROL ASSY RUBY
56	63714003	1	CLIP CLAMP HOLDER
57	21009080	1	PROTECTION HANDLE BAR
58	21009090	1	EXTENSION SHEATH
59	60306003	1	WASHER 6x12x1,6 UNI 6592 DIN 125A
60	21112030	1	PROTECTION CABLES BABY 230 V

1109-20 R04 CONTROL LEVERS-HANDLE BAR



1109-20 R04 CONTROL LEVERS-HANDLE BAR

Pos.	Code	Qty	Description
1	20113090	1	SPRING STOP INOX
2	20113100	1	CAM MICRO AUXILIARY CONTROL
3	60210302	1	NUT M3 H3 UNI 5587 BRASS
4	20113060	1	LEVER
5	61140002	1	SELF-LOCKING RING ZA 3
6	47101080	1	BUSHING DRAW.01.13.05
7	61140001	1	ELASTIC RING RS5 DIN 6799
8	60140301	1	SCREW M3x10 UNI 7687 DIN 7985
9	60140304	1	SCREW M3x14 UNI 7687 DIN 7985
10	20113040	1	CAMSHAFT
11	47101120	1	BUSHING DIS.01.13.14
12	47230020	1	SPRING DRIVE CONTROL
13	20113010	1	LEVER DRIVE CONTROL
14	20109020	1	KNOB PROTECTION
15	61810001	1	KNOB Ø 30x110 (HOLE Ø 23,5)
16	20113050	1	LEVER SPRING SIDE
17	61140002	1	SELF-LOCKING RING ZA 3
18	60140602	1	SCREW M6x20 UNI 8112
19	61140001	1	ELASTIC RING RS5 DIN 6799
20	60140301	1	SCREW M3x10 UNI 7687 DIN 7985

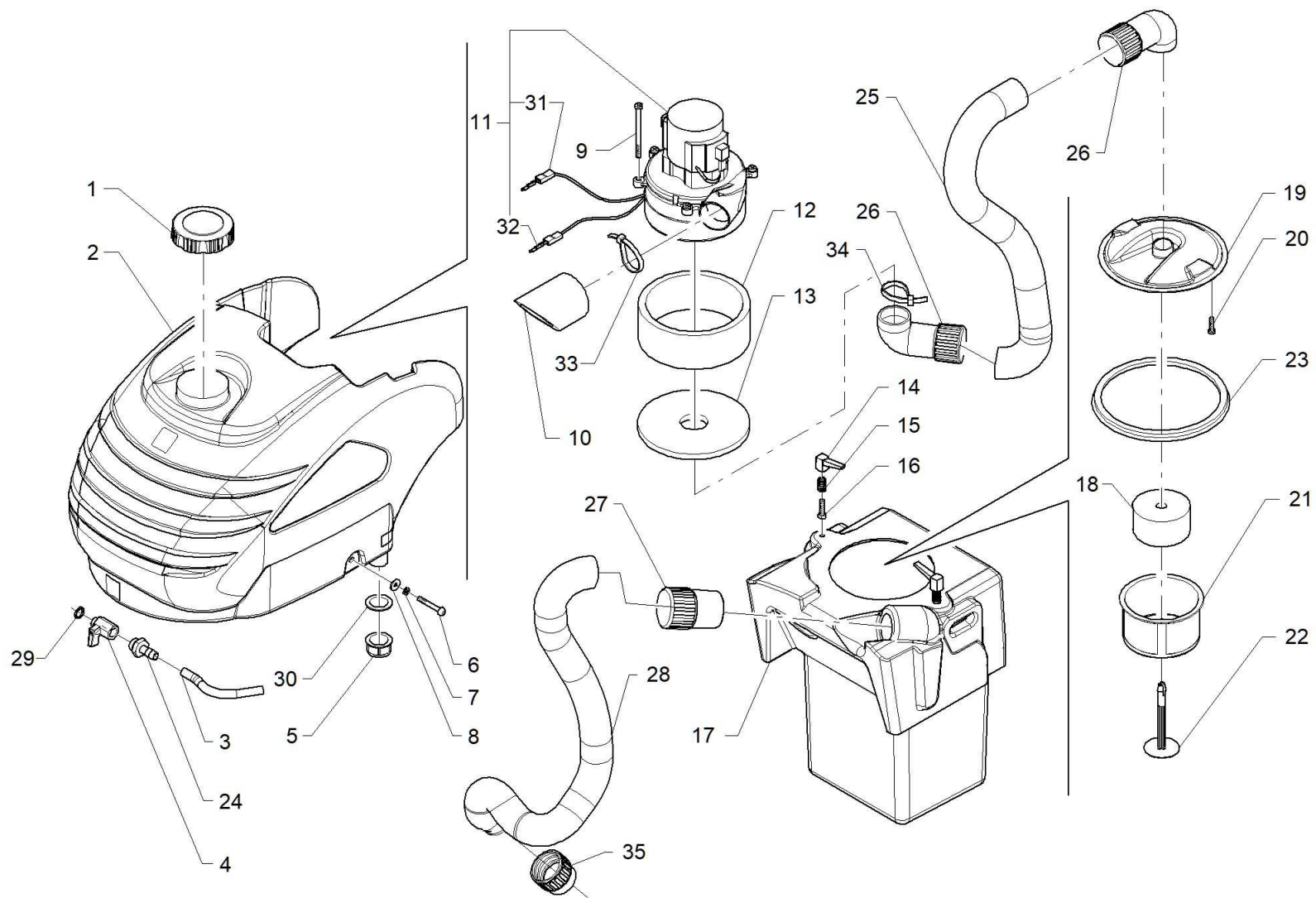
1109-20 R04 CONTROL LEVERS-HANDLE BAR

Pos.	Code	Qty	Description
21	60190601	1	SCREW Ø 6x35
22	20109010	1	HANDLEBAR TUBE
23	20113030	1	SUPPORT DRIVE CONTROL AMBER 24V
24	63409001	1	MICROSWITCH 10A 3x22 SHORT LEVER+ROLLER
25	60210302	1	NUT M3 H3 UNI 5587 BRASS
26	60220301	1	LOCK NUT M3 H4 UNI 7473 DIN 982
27	61810002	1	FLAT KNOB 29x70 (15x5)
28	21009050	1	RELEASE LEVER HANDLEBAR
29	60110627	1	SCREW M6x50 UNI 5737 DIN 931 (8.8)
30	21109020	1	ROPE HANDLE BAR BABY 230V
31	60220603	1	LOCK NUT M6 H8 UNI 7473 DIN 982
32	60140305	1	SCREW M3x25 UNI 7687 DIN 7985
33	62406030	1	HOLDFAST M6 FOR CABLE Ø 3MM
35	60190406	1	SCREW Ø 4,0x25
36	61810001	1	KNOB Ø 30x110 (HOLE Ø 23,5)
37	20109020	1	KNOB PROTECTION
38	20113010	1	LEVER DRIVE CONTROL
39	49210010	1	HANDLEBAR BODY BABY
40	60140508	1	SCREW M5x12 UNI 8112 ZINC-PLATED
41	21005040	1	SUPPORT SQUEEGEE CONTROL LEVER

1109-20 R04 CONTROL LEVERS-HANDLE BAR

Pos.	Code	Qty	Description
42	60220502	1	LOCK NUT M5 H5 UNI 7474 DIN 985
44	21005130	1	SQUEEGEE CABLE
45	21005050	1	SQUEEGEE LEVER
46	60140506	1	SCREW M5x20 UNI 7687 DIN 7985
47	60140508	1	SCREW M5x12 UNI 8112 ZINC-PLATED
48	60505001	1	LOCK WASHER Ø 5 DIN 6798/A
49	47110030	1	BUSHING Ø 10x6,2 h5,3
50	60506005	1	LOCK WASHER 6 GROWER DIN 127
51	60306007	1	WASHER 6x18x1,5 UNI 6593
52	60140508	1	SCREW M5x12 UNI 8112 ZINC-PLATED
53	60503002	1	LOCK WASHER Ø 3 DIN 6798/A
54	60140502	1	SCREW M5x8 UNI 8112
55	V0113001	1	DRIVE CONTROL ASSY RUBY
56	63714003	1	CLIP CLAMP HOLDER
57	21009080	1	PROTECTION HANDLE BAR
58	21009090	1	EXTENSION SHEATH
59	60306003	1	WASHER 6x12x1,6 UNI 6592 DIN 125A
60	21112030	1	PROTECTION CABLES BABY 230 V

1110-10 R00 TANKS AND SUCTION ASSEMBLY



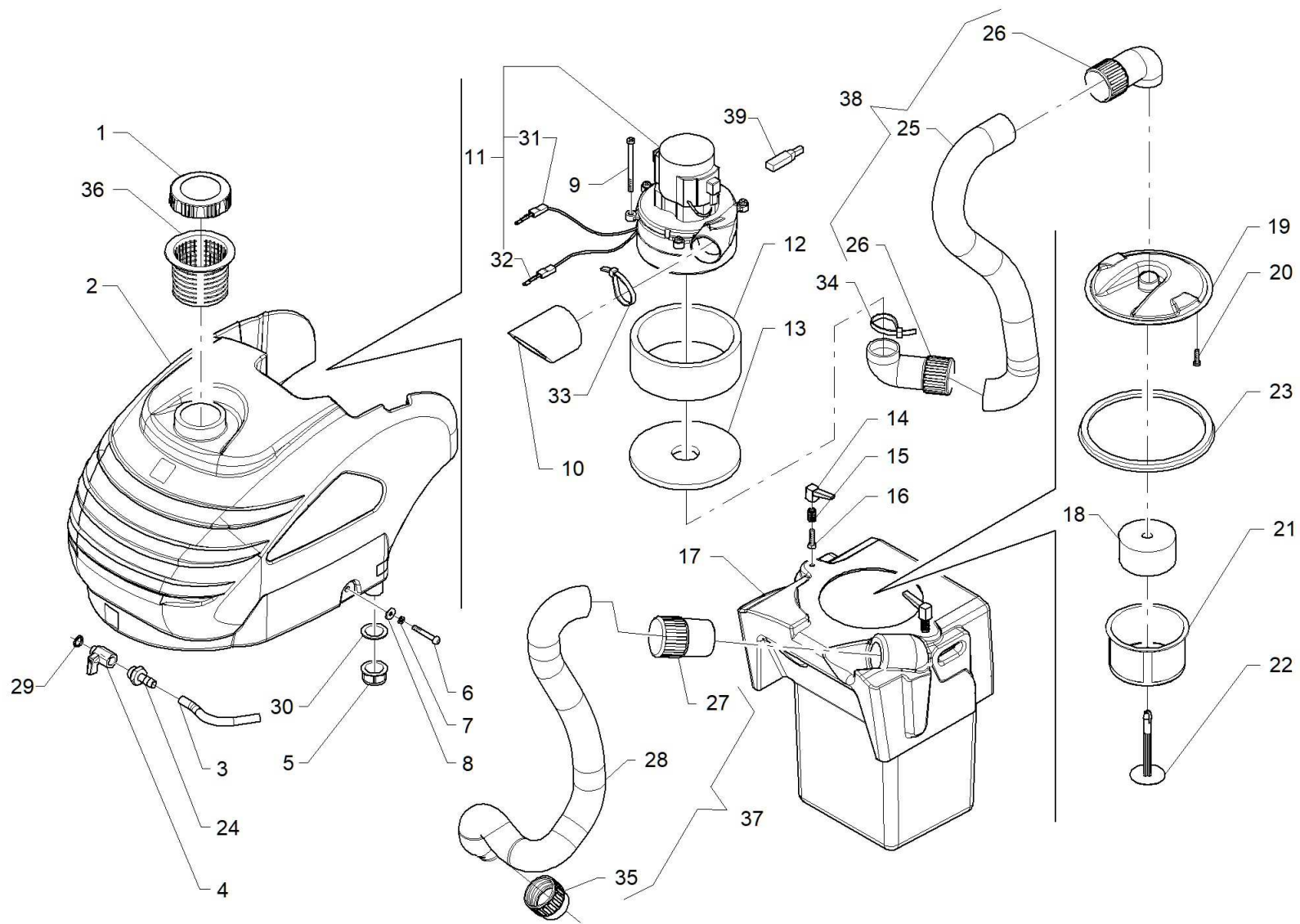
1110-10 R00 TANKS AND SUCTION ASSEMBLY

Pos.	Code	Qty	Description
1	62350010	1	TANK COVER Ø 80
2	47311010	1	SOLUTION TANK BABY 230V YELLOW
3	47630770	1	HOSE Ø 8x150 EXTRA CRYSTAL
4	62310007	1	SOLUTION VALVE BODY 1/4"
5	62350009	1	PLUG 3/4" F
6	60100697	1	SCREW M6x40 ISO 7380 ZN
7	60506005	1	LOCK WASHER 6 GROWER DIN 127
8	60306010	1	WASHER 6x24x2 UNI 6593
9	60140615	1	SCREW M6x90 UNI 7687 DIN 7985
10	47650050	1	DEADENING HOSE MM. 70x100
11	49370030	1	SUCTION MOTOR 230V 50-60 HZ
12	48110010	1	SIDE DEADENING SUCTION MOTOR
13	48110020	1	LOWER DEADENING SUCTION MOTOR
14	61820002	1	BLOCKING LEVER M6 MOD. KFB-42
15	47210080	1	COMPRESSION SPRING 8,2x1x16,5 INOX
16	60110618	1	SCREW M6x30 UNI 5739 DIN 933 INOX
17	47311020	1	RECOVERY TANK BABY 230V YELLOW
18	20110070	1	FLOAT Ø 60 (BODY AND COVER)
19	21010030	1	FILTER CAP LOW
20	60120403	1	SCREW M4x10 NYLON

1110-10 R00 TANKS AND SUCTION ASSEMBLY

Pos.	Code	Qty	Description
21	47900010	1	FILTER FLOAT
22	20110060	1	ROD WITH PLATE
23	47800010	1	GASKET FILTER CAP
24	62340220	1	STRAIGHT FITTING M-1/4x9
25	47610370	1	SUCTION HOSE Ø 28x530 BABY E
26	21010020	1	BENT FITTING HOSE Ø 29
27	21010010	1	SOFT COUPLER FOR HOSE Ø 28
28	47610380	1	SQUEEGEE HOSE Ø 28x700 SUPERFLEX BABY E
29	62370002	1	GASKET 1/2"F-1/4"M
30	62370008	1	GASKET 3/4"F-3/8"M
31	62531001	1	COVER FASTON MALE 6.3
32	62521001	1	COVER MALE 6.3 BARE
33	61910004	1	CLAMP MM. 4,8x290 BLACK
34	61910005	1	CLAMP MM. 4,8x200 BLACK
35	21010040	1	COUPLER SQUEEGEE HOSE Ø 29

1110-10 R01 TANKS AND SUCTION ASSEMBLY



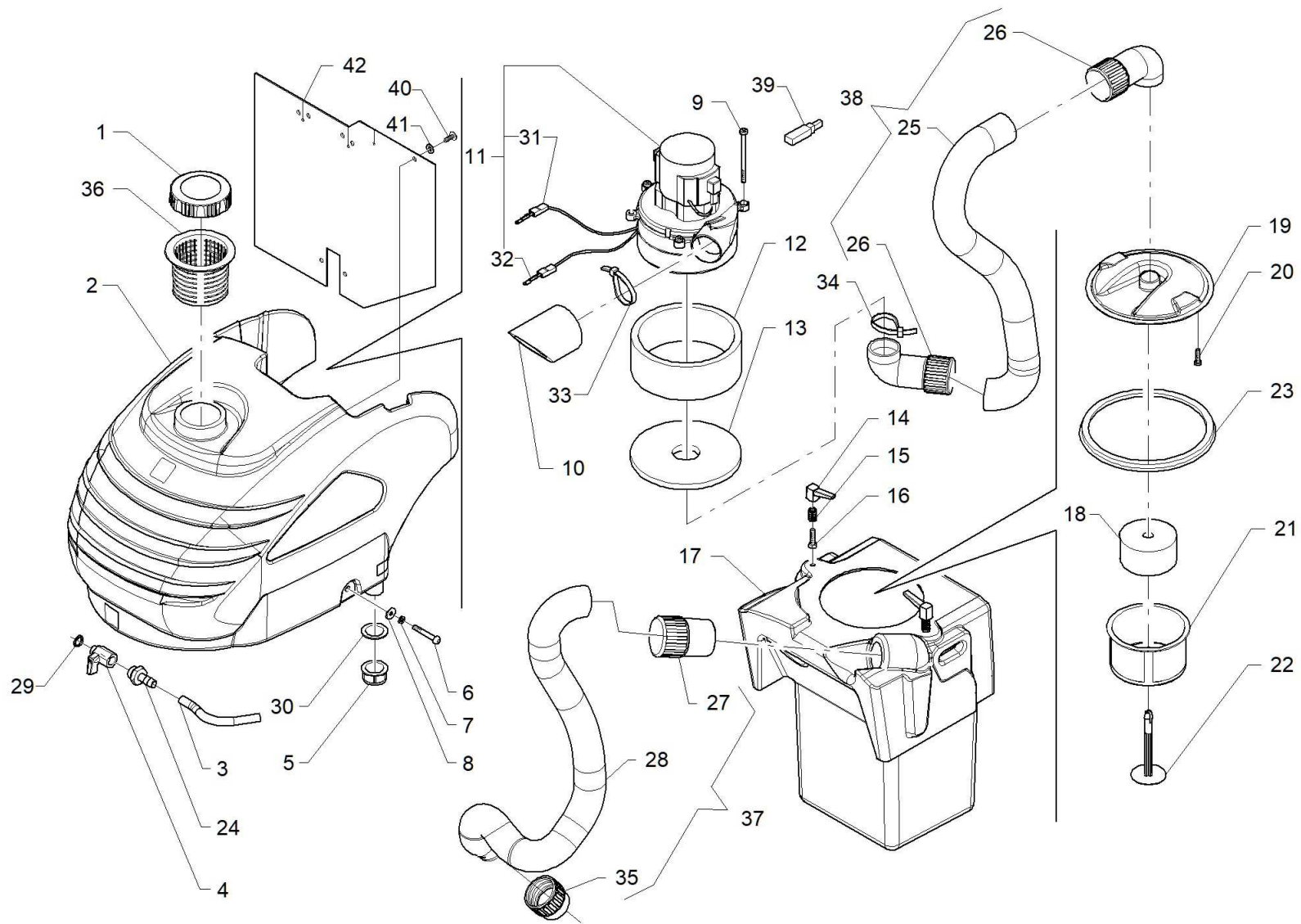
1110-10 R01 TANKS AND SUCTION ASSEMBLY

Pos.	Code	Qty	Description
1	62350010	1	TANK COVER Ø 80
2	47311010	1	SOLUTION TANK BABY 230V YELLOW
3	47630770	1	HOSE Ø 8x150 EXTRA CRYSTAL
4	62310007	1	SOLUTION VALVE BODY 1/4"
5	62350009	1	PLUG 3/4" F
6	60100697	1	SCREW M6x40 ISO 7380 ZN
7	60506005	1	LOCK WASHER 6 GROWER DIN 127
8	60306010	1	WASHER 6x24x2 UNI 6593
9	60140615	1	SCREW M6x90 UNI 7687 DIN 7985
10	47650050	1	DEADENING HOSE MM. 70x100
11	49370030	1	SUCTION MOTOR 230V 50-60 HZ
12	48110010	1	SIDE DEADENING SUCTION MOTOR
13	48110020	1	LOWER DEADENING SUCTION MOTOR
14	61820002	1	BLOCKING LEVER M6 MOD. KFB-42
15	47210080	1	COMPRESSION SPRING 8,2x1x16,5 INOX
16	60110618	1	SCREW M6x30 UNI 5739 DIN 933 INOX
17	47311020	1	RECOVERY TANK BABY 230V YELLOW
18	20110070	1	FLOAT Ø 60 (BODY AND COVER)
19	21010030	1	FILTER CAP LOW
20	60120403	1	SCREW M4x10 NYLON

1110-10 R01 TANKS AND SUCTION ASSEMBLY

Pos.	Code	Qty	Description
21	47900010	1	FILTER FLOAT
22	20110060	1	ROD WITH PLATE
23	47800010	1	GASKET FILTER CAP
24	62340220	1	STRAIGHT FITTING M-1/4x9
25	47610370	1	SUCTION HOSE Ø 28x530 BABY E
26	21010020	1	BENT FITTING HOSE Ø 29
27	21010010	1	SOFT COUPLER FOR HOSE Ø 28
28	47610380	1	SQUEEGEE HOSE Ø 28x700 SUPERFLEX BABY E
29	62370002	1	GASKET 1/2"F-1/4"M
30	62370008	1	GASKET 3/4"F-3/8"M
31	62531001	1	COVER FASTON MALE 6.3
32	62521001	1	COVER MALE 6.3 BARE
33	61910004	1	CLAMP MM. 4,8x290 BLACK
34	61910005	1	CLAMP MM. 4,8x200 BLACK
35	21010040	1	COUPLER SQUEEGEE HOSE Ø 29
36	47900130	1	FILTER WATER INLET Ø 60
37	47610325	1	SQUEEGEE HOSE Ø 28x745 BABY + COUPLINGS
38	47610315	1	SUCTION HOSE Ø 28x742 BABY
39	63606113	1	CARBON BRUSH 6,3x11,3x28 (49370030)

1110-10 R02 TANKS AND SUCTION ASSEMBLY



1110-10 R02 TANKS AND SUCTION ASSEMBLY

Pos.	Code	Qty	Description
1	62350010	1	TANK COVER Ø 80
2	47311010	1	SOLUTION TANK BABY 230V YELLOW
3	47630770	1	HOSE Ø 8x150 EXTRA CRYSTAL
4	62310007	1	SOLUTION VALVE BODY 1/4"
5	62350009	1	PLUG 3/4" F
6	60100697	1	SCREW M6x40 ISO 7380 ZN
7	60506005	1	LOCK WASHER 6 GROWER DIN 127
8	60306010	1	WASHER 6x24x2 UNI 6593
9	60140615	1	SCREW M6x90 UNI 7687 DIN 7985
10	47650050	1	DEADENING HOSE MM. 70x100
11	49370030	1	SUCTION MOTOR 230V 50-60 HZ
12	48110010	1	SIDE DEADENING SUCTION MOTOR
13	48110020	1	LOWER DEADENING SUCTION MOTOR
14	61820002	1	BLOCKING LEVER M6 MOD. KFB-42
15	47210080	1	COMPRESSION SPRING 8,2x1x16,5 INOX
16	60110618	1	SCREW M6x30 UNI 5739 DIN 933 INOX
17	47311020	1	RECOVERY TANK BABY 230V YELLOW
18	20110070	1	FLOAT Ø 60 (BODY AND COVER)
19	21010035	1	FILTER CAP LOW WITH M4 THREADS
20	60120403	1	SCREW M4x10 NYLON

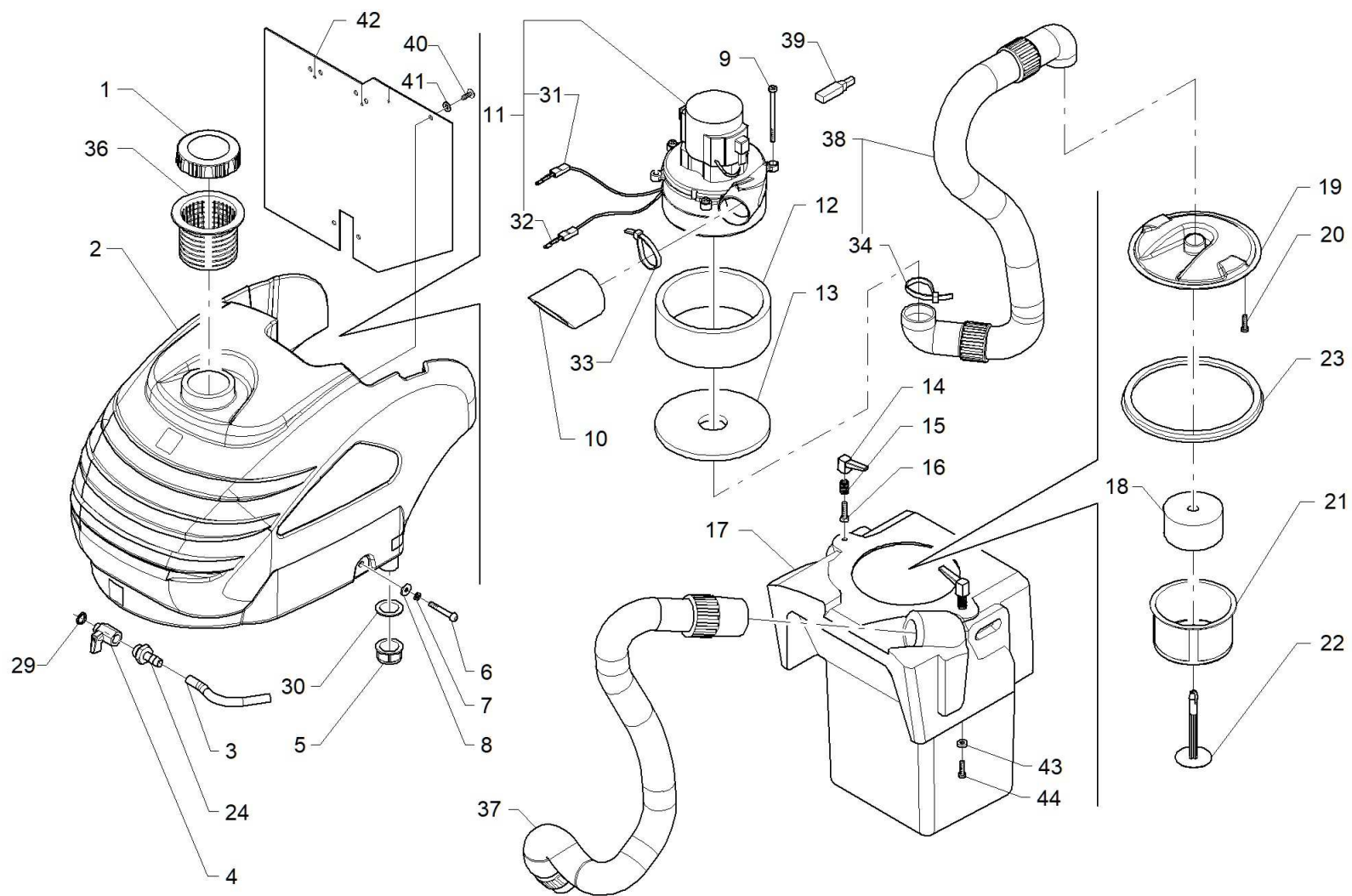
1110-10 R02 TANKS AND SUCTION ASSEMBLY

Pos.	Code	Qty	Description
21	47900010	1	FILTER FLOAT
22	20110060	1	ROD WITH PLATE
23	47800010	1	GASKET FILTER CAP
24	62340220	1	STRAIGHT FITTING M-1/4x9
25	47610370	1	SUCTION HOSE Ø 28x530 BABY E
26	21010020	1	BENT FITTING HOSE Ø 29
27	21010010	1	SOFT COUPLER FOR HOSE Ø 28
28	47610380	1	SQUEEGEE HOSE Ø 28x700 SUPERFLEX BABY E
29	62370002	1	GASKET 1/2"F-1/4"M
30	62370008	1	GASKET 3/4"F-3/8"M
31	62531001	1	COVER FASTON MALE 6.3
32	62521001	1	COVER MALE 6.3 BARE
33	61910004	1	CLAMP MM. 4,8x290 BLACK
34	61910005	1	CLAMP MM. 4,8x200 BLACK
35	21010040	1	COUPLER SQUEEGEE HOSE Ø 29
36	47900130	1	FILTER WATER INLET Ø 60
37	47610385	1	SQUEEGEE HOSE Ø 28x700 BABY E+COUPLINGS
38	47610375	1	SUCTION HOSE Ø 28x530 BABY + COUPLINGS
39	63606113	1	CARBON BRUSH 6,3x11,3x28 (49370030)
40	60190310	1	SCREW Ø 3,9x13 UNI 6954 INOX

1110-10 R02 TANKS AND SUCTION ASSEMBLY

Pos.	Code	Qty	Description
41	60304002	1	WASHER 4x9x0,8 UNI 6592
42	21110010	1	PROTECTION SUCTION MOTOR BABY 230V

1110-10 R03 TANKS AND SUCTION ASSEMBLY



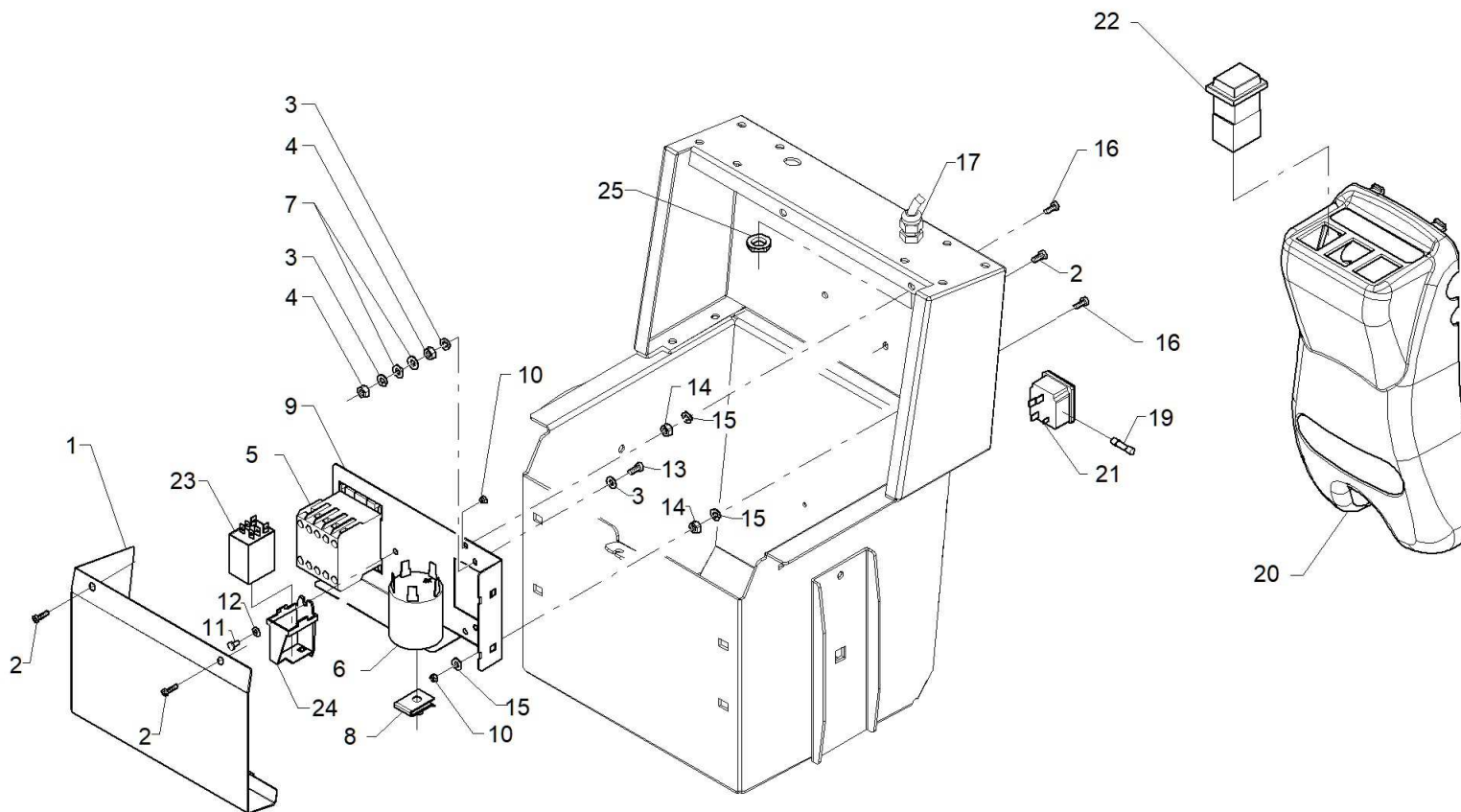
1110-10 R03 TANKS AND SUCTION ASSEMBLY

Pos.	Code	Qty	Description
1	62350010	1	TANK COVER Ø 80
2	47311010	1	SOLUTION TANK BABY 230V YELLOW
3	47630770	1	HOSE Ø 8x150 EXTRA CRYSTAL
4	62310007	1	SOLUTION VALVE BODY 1/4"
5	62350009	1	PLUG 3/4" F
6	60100697	1	SCREW M6x40 ISO 7380 ZN
7	60506005	1	LOCK WASHER 6 GROWER DIN 127
8	60306010	1	WASHER 6x24x2 UNI 6593
9	60140615	1	SCREW M6x90 UNI 7687 DIN 7985
10	47650050	1	DEADENING HOSE MM. 70x100
11	49370030	1	SUCTION MOTOR 230V 50-60 HZ
12	48110010	1	SIDE DEADENING SUCTION MOTOR
13	48110020	1	LOWER DEADENING SUCTION MOTOR
14	61820002	1	BLOCKING LEVER M6 MOD. KFB-42
15	47210080	1	COMPRESSION SPRING 8,2x1x16,5 INOX
16	60110618	1	SCREW M6x30 UNI 5739 DIN 933 INOX
17	47311020	1	RECOVERY TANK BABY 230V YELLOW
18	20110070	1	FLOAT Ø 60 (BODY AND COVER)
19	21010035	1	FILTER CAP LOW WITH M4 THREADS
20	60120403	1	SCREW M4x10 NYLON

1110-10 R03 TANKS AND SUCTION ASSEMBLY

Pos.	Code	Qty	Description
21	47900010	1	FILTER FLOAT
22	20110060	1	ROD WITH PLATE
23	47800010	1	GASKET FILTER CAP
24	62340220	1	STRAIGHT FITTING M-1/4x9
29	62370002	1	GASKET 1/2"F-1/4"M
30	62370008	1	GASKET 3/4"F-3/8"M
31	62531001	1	COVER FASTON MALE 6.3
32	62521001	1	COVER MALE 6.3 BARE
33	61910004	1	CLAMP MM. 4,8x290 BLACK
34	61910005	1	CLAMP MM. 4,8x200 BLACK
36	47900130	1	FILTER WATER INLET Ø 60
37	47610385	1	SQUEEGEE HOSE Ø 28x700 BABY E+COUPLINGS
38	47610375	1	SUCTION HOSE Ø 28x530 BABY + COUPLINGS
39	63606113	1	CARBON BRUSH 6,3x11,3x28 (49370030)
40	60190310	1	SCREW Ø 3,9x13 UNI 6954 INOX
41	60304002	1	WASHER 4x9x0,8 UNI 6592
42	21110010	1	PROTECTION SUCTION MOTOR BABY 230V
43	63720002	1	MAGNET Ø16x4x2.7
44	60190310	1	SCREW Ø 3,9x13 UNI 6954 INOX

1112-10 R00 ELECTRICAL LAYOUT ASSEMBLY



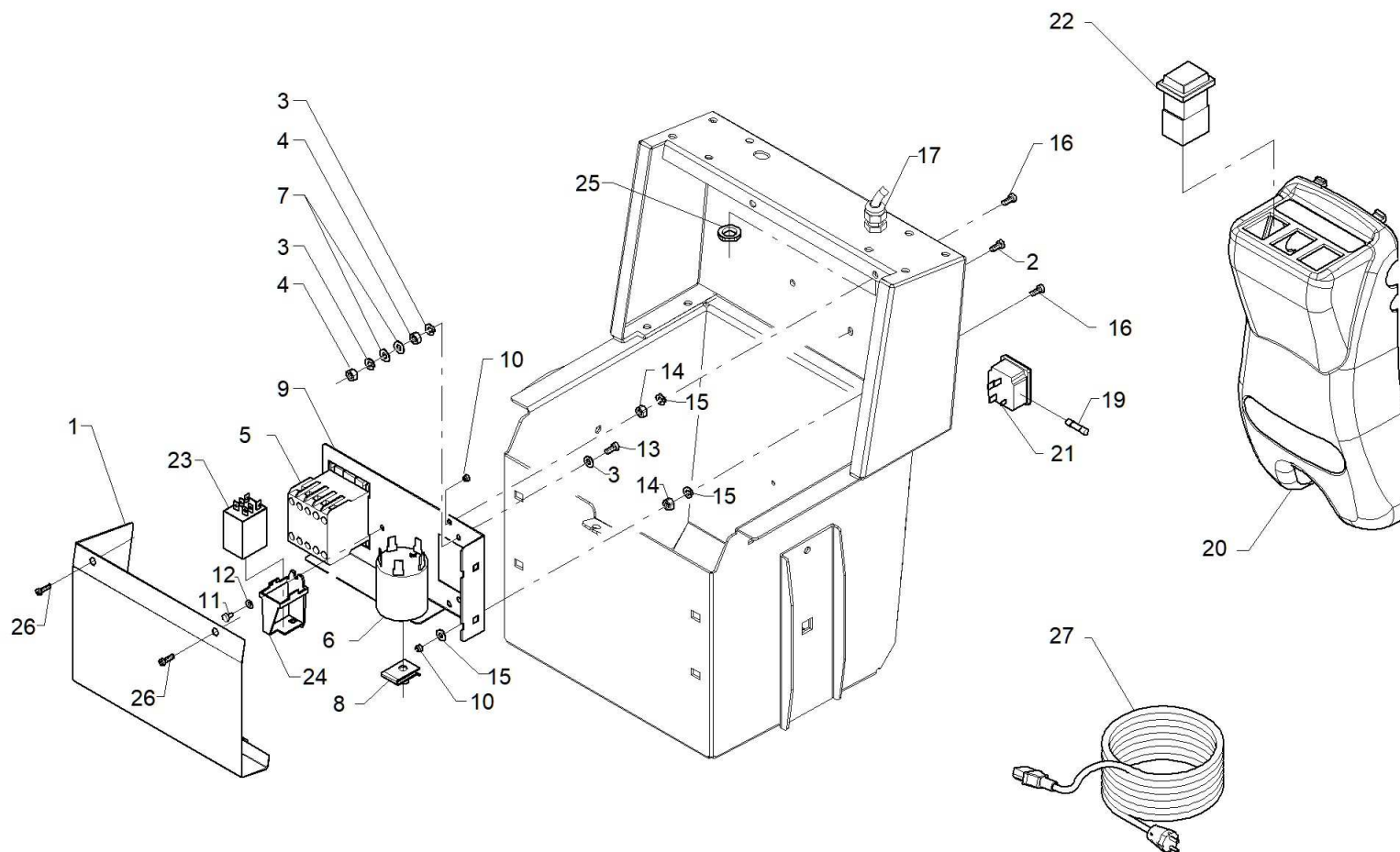
1112-10 R00 ELECTRICAL LAYOUT ASSEMBLY

Pos.	Code	Qty	Description
1	21112020	1	PROTECTION ELECTRICAL SYSTEM BABY 230V
2	60140404	1	SCREW M4x16 UNI 7687 DIN 7985
3	60504001	1	LOCK WASHER Ø 4 DIN 6798/A
4	60210402	1	NUT M4 H4 UNI 5587
5	49670010	1	REMOTE CONTROL SW. 4 POLES 230V-50/60HZ
6	63715001	1	ANTI JAMMING FILTER 0,47µF-10A (250V)
7	60305001	1	WASHER 5x10x1 UNI 6592
8	60250810	1	CLIP NUT M8
9	21112010	1	ELECTRICAL PANEL BABY 230V
10	60220401	1	LOCK NUT M4 H5,8 UNI 7473 DIN 982
11	60140311	1	SCREW M3x6 UNI 7687 DIN 7985
12	60303002	1	WASHER 3x7x0,5 UNI 6592
13	60110403	1	SCREW M4x14 UNI 5739 DIN 933 INOX
14	60210402	1	NUT M4 H4 UNI 5587
15	60504001	1	LOCK WASHER Ø 4 DIN 6798/A
16	60140404	1	SCREW M4x16 UNI 7687 DIN 7985
17	63704003	1	FAIRLEAD IN PLASTIC PG 9 BLACK
19	62800302	1	CYLINDRICAL FUSE 5x20 5A DELAYED
20	49211020	1	HANDLEBAR COVER BABY 230V
21	62600003	1	ELECTRIC PLUG 10A 250V 2P+T SNAP-IN FIX. WITH FUSE

1112-10 R00 ELECTRICAL LAYOUT ASSEMBLY

Pos.	Code	Qty	Description
22	63403002	1	BIPOLAR SWITCH 230V GREEN PROTECTED EN60335-1
23	49670020	1	RELAY 230V 50-60 Hz 12A
24	49600001	1	RELAY SUPPORT 230V 50-60 Hz 12A
25	63704004	1	ADJUSTER NUT FOR FAIR-LEAD PG9 BLACK

1112-10 R01 ELECTRICAL LAYOUT ASSEMBLY



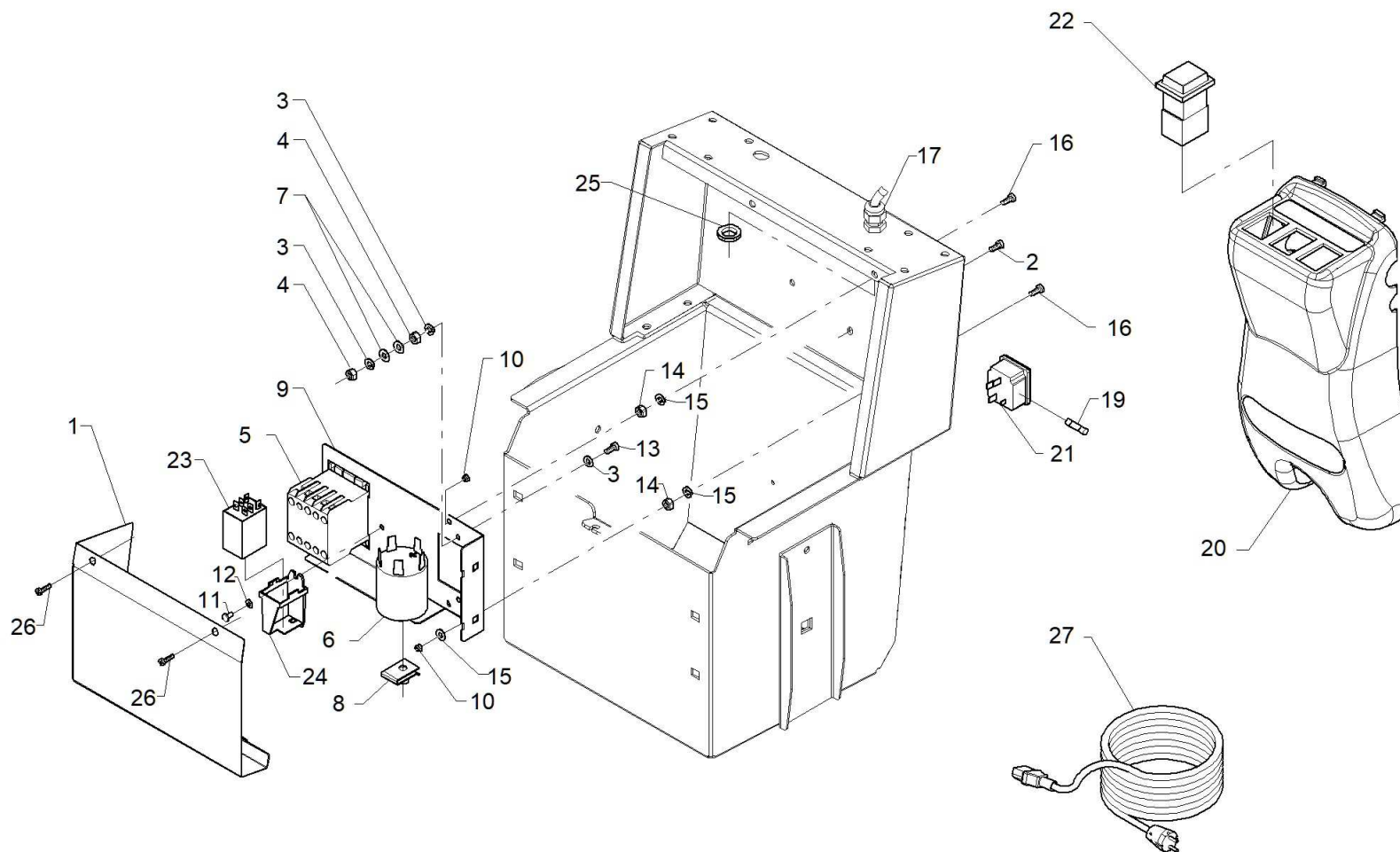
1112-10 R01 ELECTRICAL LAYOUT ASSEMBLY

Pos.	Code	Qty	Description
1	21112020	1	PROTECTION ELECTRICAL SYSTEM BABY 230V
2	60140403	1	SCREW M4x12 UNI 7687 DIN 7985
3	60504001	1	LOCK WASHER Ø 4 DIN 6798/A
4	60210402	1	NUT M4 H4 UNI 5587
5	49670010	1	REMOTE CONTROL SW. 4 POLES 230V-50/60HZ
6	63715001	1	ANTI JAMMING FILTER 0,47µF-10A (250V)
7	60305001	1	WASHER 5x10x1 UNI 6592
8	60250810	1	CLIP NUT M8
9	21112010	1	ELECTRICAL PANEL BABY 230V
10	60220401	1	LOCK NUT M4 H5,8 UNI 7473 DIN 982
11	60140311	1	SCREW M3x6 UNI 7687 DIN 7985
12	60303002	1	WASHER 3x7x0,5 UNI 6592
13	60110403	1	SCREW M4x14 UNI 5739 DIN 933 INOX
14	60210402	1	NUT M4 H4 UNI 5587
15	60504001	1	LOCK WASHER Ø 4 DIN 6798/A
16	60140404	1	SCREW M4x16 UNI 7687 DIN 7985
17	63704003	1	FAIRLEAD IN PLASTIC PG 9 BLACK
19	62800302	1	CYLINDRICAL FUSE 5x20 5A DELAYED
20	49211020	1	HANDLEBAR COVER BABY 230V
21	62600003	1	ELECTRIC PLUG 10A 250V 2P+T SNAP-IN FIX. WITH FUSE

1112-10 R01 ELECTRICAL LAYOUT ASSEMBLY

Pos.	Code	Qty	Description
22	63403002	1	BIPOLAR SWITCH 230V GREEN PROTECTED EN60335-1
23	49670020	1	RELAY 230V 50-60 Hz 12A
24	49600001	1	RELAY SUPPORT 230V 50-60 Hz 12A
25	63704004	1	ADJUSTER NUT FOR FAIR-LEAD PG9 BLACK
26	60170401	1	SCREW M4x12 UNI 7688
27	49805001	1	MAINS CABLE 3x1x20m + SCHUKO PLUG+SOCKET

1112-10 R02 ELECTRICAL LAYOUT ASSEMBLY



1112-10 R02 ELECTRICAL LAYOUT ASSEMBLY

Pos.	Code	Qty	Description
1	21112020	1	PROTECTION ELECTRICAL SYSTEM BABY 230V
2	60140407	1	SCREW M4x10 UNI 7687 DIN 7985 BLACK ZINC-PLATED
3	60504001	1	LOCK WASHER Ø 4 DIN 6798/A
4	60210402	1	NUT M4 H4 UNI 5587
5	49670010	1	REMOTE CONTROL SW. 4 POLES 230V-50/60HZ
6	63715001	1	ANTI JAMMING FILTER 0,47µF-10A (250V)
7	60305001	1	WASHER 5x10x1 UNI 6592
8	60250810	1	CLIP NUT M8
9	21112010	1	ELECTRICAL PANEL BABY 230V
10	60220401	1	LOCK NUT M4 H5,8 UNI 7473 DIN 982
11	60140311	1	SCREW M3x6 UNI 7687 DIN 7985
12	60303002	1	WASHER 3x7x0,5 UNI 6592
13	60110403	1	SCREW M4x14 UNI 5739 DIN 933 INOX
14	60210402	1	NUT M4 H4 UNI 5587
15	60504001	1	LOCK WASHER Ø 4 DIN 6798/A
16	60140408	1	SCREW M4x16 UNI 7687 DIN 7985 BLACK ZINC-PLATED
17	63704003	1	FAIRLEAD IN PLASTIC PG 9 BLACK
19	62800302	1	CYLINDRICAL FUSE 5x20 5A DELAYED
20	49211020	1	HANDLEBAR COVER BABY 230V
21	62600003	1	ELECTRIC PLUG 10A 250V 2P+T SNAP-IN FIX. WITH FUSE

1112-10 R02 ELECTRICAL LAYOUT ASSEMBLY

Pos.	Code	Qty	Description
22	63403002	1	BIPOLAR SWITCH 230V GREEN PROTECTED EN60335-1
23	49670020	1	RELAY 230V 50-60 Hz 12A
24	49600001	1	RELAY SUPPORT 230V 50-60 Hz 12A
25	63704004	1	ADJUSTER NUT FOR FAIR-LEAD PG9 BLACK
26	60170401	1	SCREW M4x12 UNI 7688
27	49805001	1	MAINS CABLE 3x1x20m + SCHUKO PLUG+SOCKET



adiate^K
Design and innovation



heupel Reinigungstechnik GmbH

Gottlieb Daimler Str. 6
88214 Ravensburg

Tel: (049) 0751 - 35905-3
Fax: (049) 0751 - 35905-59

email: info@heupel-gmbh.de
www.heupel-gmbh.de

Shop: www.heupel-shop.de

Heupel - Reinigungstechnik - Beratung, Verkauf, Service, alles aus einer Hand.

