

PARTS LIST



heupel Reinigungstechnik GmbH

Gottlieb Daimler Str. 6
88214 Ravensburg

Tel: (049) 0751 - 35905-3
Fax: (049) 0751 - 35905-59

email: info@heupel-gmbh.de
www.heupel-gmbh.de

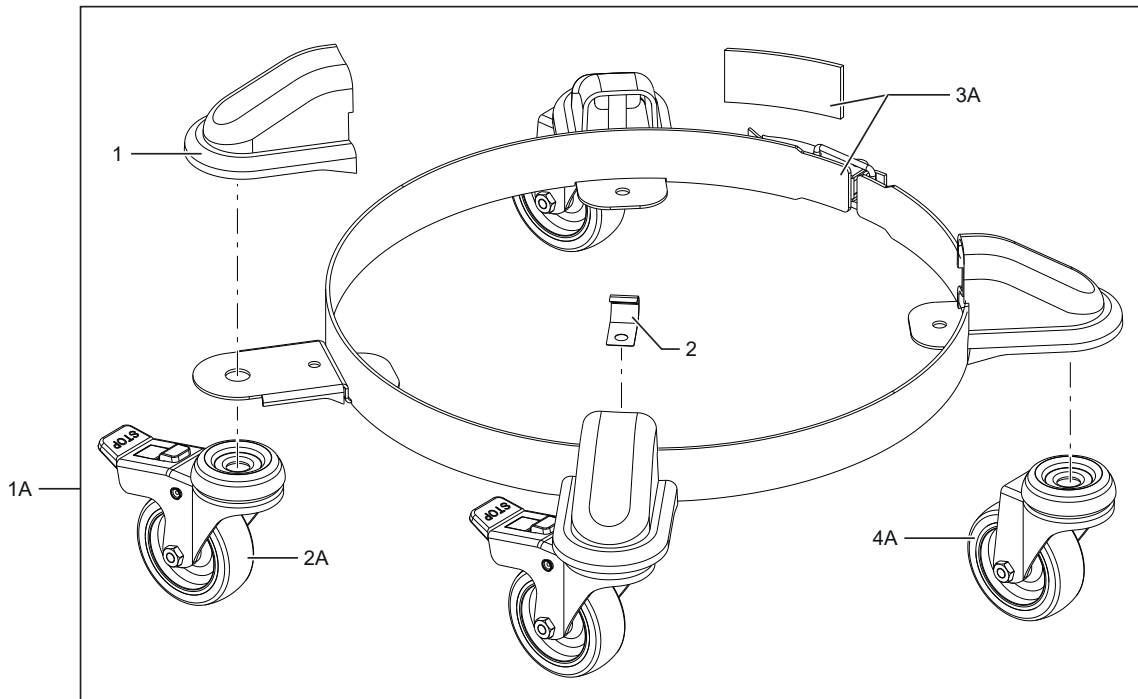
Shop: www.heupel-shop.de

Heupel - Reinigungstechnik - Beratung, Verkauf, Service, alles aus einer Hand.

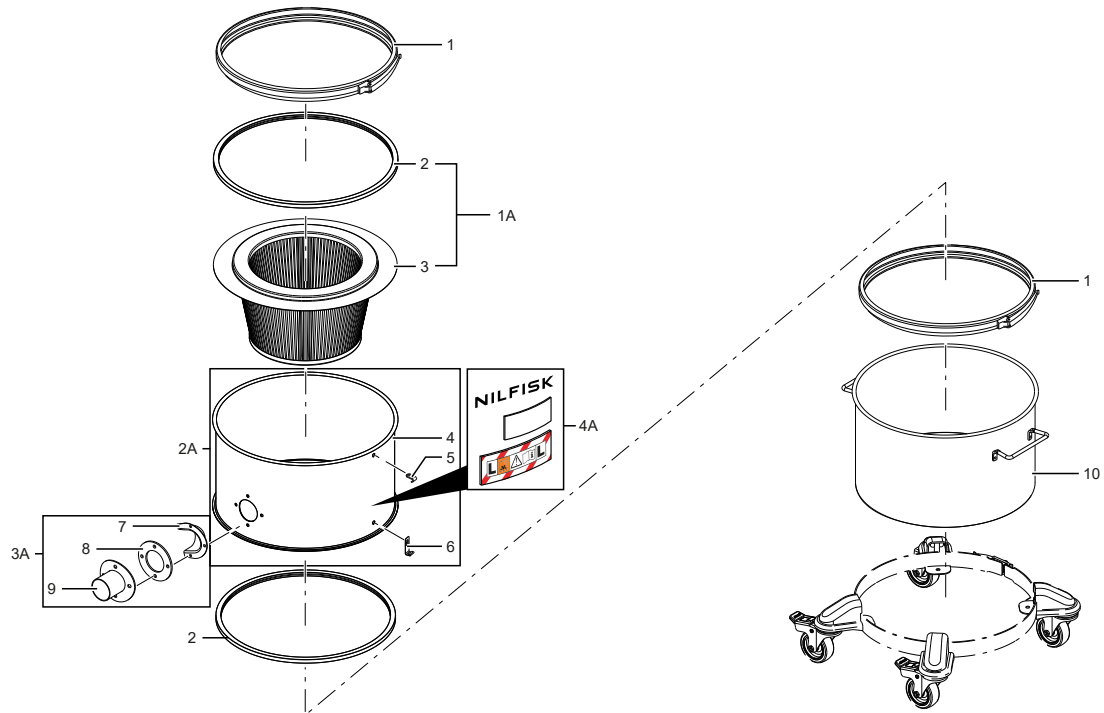
2024.12.11

TABLE OF CONTENTS

TROLLEY	1
CONTAINER	3
FILTER	5
SUCTION UNIT	7
SUCTION UNIT 1	9
SUCTION UNIT 2	11
SUCTION UNIT 3	13



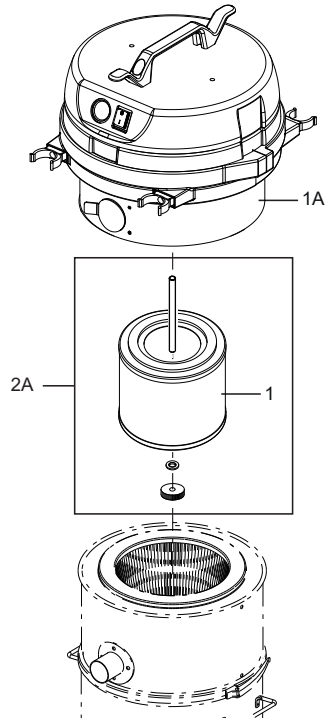
Pos.	Artikel-Nr.	Menge	Variante	Notes
1	4081701637	4	WHEELS BUMPER MOD.VHS01XFoot Cover	
2	4081801698	2	PIASTRA MESSA A TERRA CARRELLO M.VHS011Grounding trolley	
1A	4083601114	1	TROLLEY COMPLETE MOD.VHS011	
2A	4089101161	2	ANT.PIVOTING WHEEL+BRAKE KIT D60 M.VHS01D60 Wheel Kit with Brake	
3A	4089101160	1	TROLLEY KIT +FRICTION TAPE VHS011	
4A	4089101162	2	ANT.PIVOTING WHEEL KIT D60 MOD.VHS01D60 Wheel Kit	



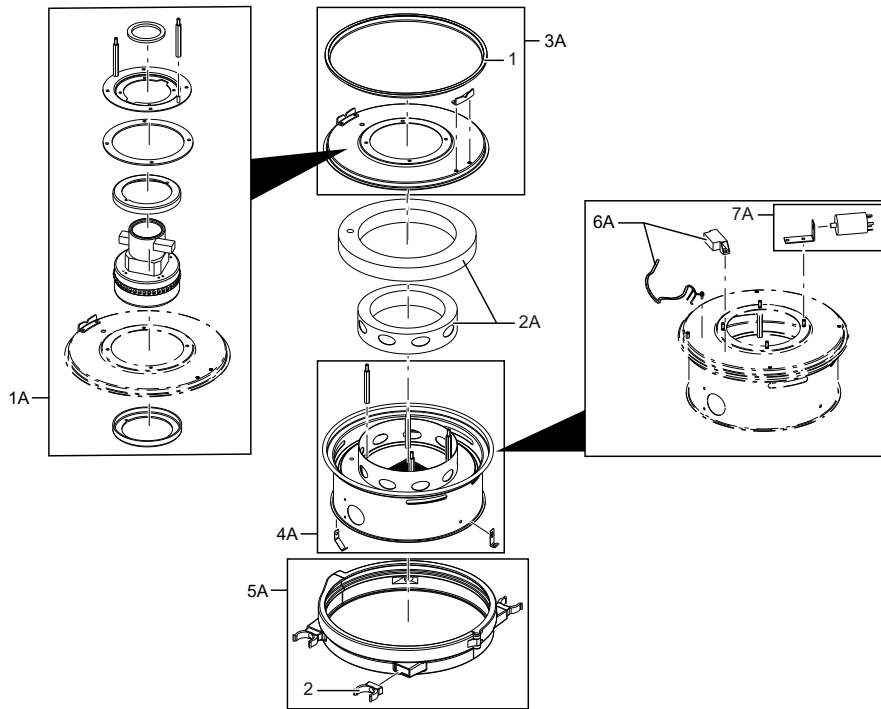
Pos.	Artikel-Nr.	Menge	Variante	Notes
1	4081801694	2	BAND LOCK D.320 MOD.VHS01XBand lock	
2	80554900	2	SEAL FOR HOLDER SILICONE AUTOCLAVABLED280 seal	
3	4081701855	1	CONICAL CART. FILTER D200X160 MC ANTIST.Primary Filter Cat. M	
3	4081701856	1	CONICAL CART.FILT.D200X160 MC ANT.PTFEPrimary Filter Cat. M PTFE	
4	4083101965	1	LATERALE D.320 MOD.VHS011Filter Chamber	
5	4083901372	1	FAIRLEAD D6 WITHOUT RUBBER WITH D8 LOCHPlate for grounding	
6	4081801697	1	PIASTRA MESSA A TERRA MOD.VHS01XPlate for grounding	
7	4081200678	1	DEFLETTORE D40 INOX AISI 304 deflector	
8	Z8 17004	1	Anschlußdichtung D40D40 inlet seal	
9	Z8 32058	1	INLET D40 FL.D80 INOXInlet D40	[1]
10	4083001089	1	CONTAINER D.320 15L SS MOD. VHS011L15 container	
1A	4089101163	1	CARTRIDGE FILTER KIT MC VHS011	
1A	4089101164	1	CARTRIDGE FILTER KIT MC PTFE VHS011	
2A	4089101166	1	FILTER CHAMBER KIT VHS011	
3A	4089101180	1	COMPLETE INLET KIT D40 VHS011 ACD	
4A	4089101167	1	LABELS KIT VHS011	

Part Notes:

[1] - SEE SM-SP-007



Pos.	Artikel-Nr.	Menge	Variante	Notes
1	Z8 17262	1	Absolutfilter AD VHW360/3VT H14"AU" filter	
1A	4089101193	1	COMPLETE HEAD KIT VHS011 ACD 230V	
1A	4089101194	1	COMPLETE HEAD KIT VHS011 ACD 110V	
2A	4056001053	1	SUCTION ARM D50 KIT TPLUS RAL7001 EXA"AU" filter kit	



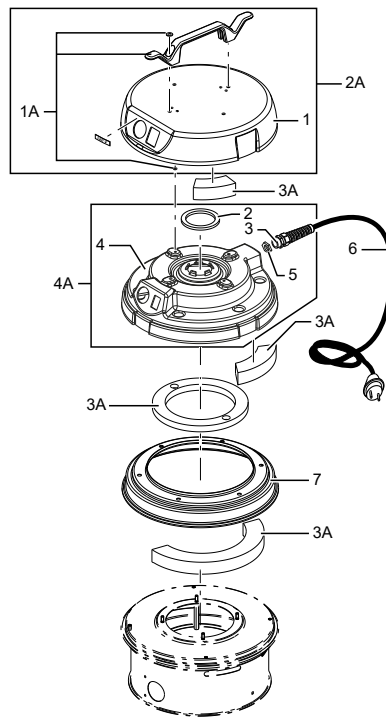
SUCTION UNIT

VHS011 ACD

2024.08.22

2024.08.22

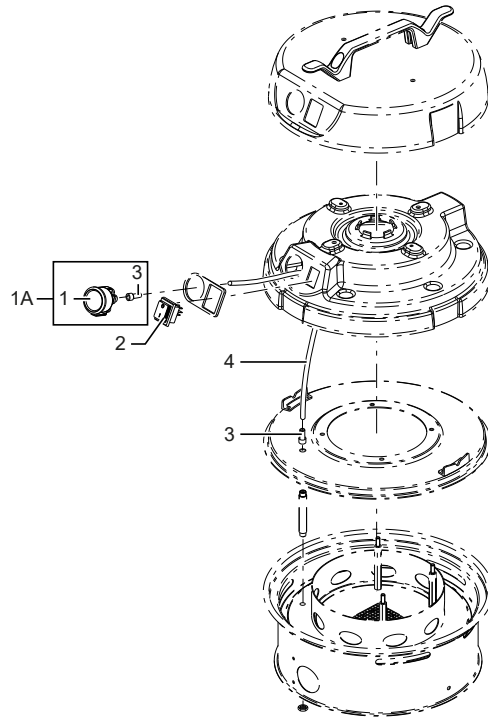
Pos.	Artikel-Nr.	Menge	Variante	Notes
1	80554900	2	SEAL FOR HOLDER SILICONE AUTOCLAVABLED280 seal	
2	4081601444	4	FIXING COLLAR ACCESSORIES D40 M.VHS011Accessories holder	
1A	4089101197	1	MOTOR KIT VHS01X ACD 230V	
1A	4089101198	1	MOTOR KIT VHS01X ACD 110V	
2A	4081701865	1	MOTORHEAD SOUNDPROOF KIT MOD.VHS01X ACDSoundproofing Kit	
3A	4089101168	1	MOTOR HOLDER KIT VHS01X	
4A	4089101170	1	MOTOR SUPPORT KIT VHS011	
5A	4089101171	1	CLOSURE RING KIT + COLLARS VHS01X	
6A	4089101199	1	CABLE KIT VHS01X ACD	
7A	4089100799	1	KIT FILTER INTERFERENCE MOD.VHSFilter interference Kit	



Pos.	Artikel-Nr.	Menge	Variante	Notes
1	4081601434	1	COPRIMOTORE MOD.VHS01X ACD EUCover	
2	4081701875	1	FAN FILTER MOD.VHS01XFan Filter	
3	Z8 39060	1	Kabeldurchführung PG 16/Spring Gland	
4	4081601436	1	COPRIMOTORE MOD.VHS01X ACDLower cover	
5	Z8 39568	1	NutmutterMetal Ferrule	
6	Z8 39016	1	CABLE SUP. 3G1.5 NE. SCHUKO 9M MOD.S3Power Cable	[1]
6	ZS08UK39010	1	CAVO ALIM. 3G1,5 PVC SP UK 9MPower Cable 230V UKP	
6	Z8 391161	1	CAVO ALIM. 3G2,5 NE. 110V SP16A 9MPower Cable 110V UKP	
7	4081601465	1	UPPER MOTOR HOLDER D320 MOD.VHS01X ACDComplete preamplifier	
1A	4089101200	1	HANDLE KIT VHS01X ACD	
2A	4089101201	1	COVER KIT VHS01X ACD	
3A	4081701865	1	MOTORHEAD SOUNDPROOF KIT MOD.VHS01X ACDSoundproof Kit	
4A	4089101202	1	LOWER COVER KIT VHS01X ACD	

Part Notes:

[1] - ALT. USE KIT 40000909



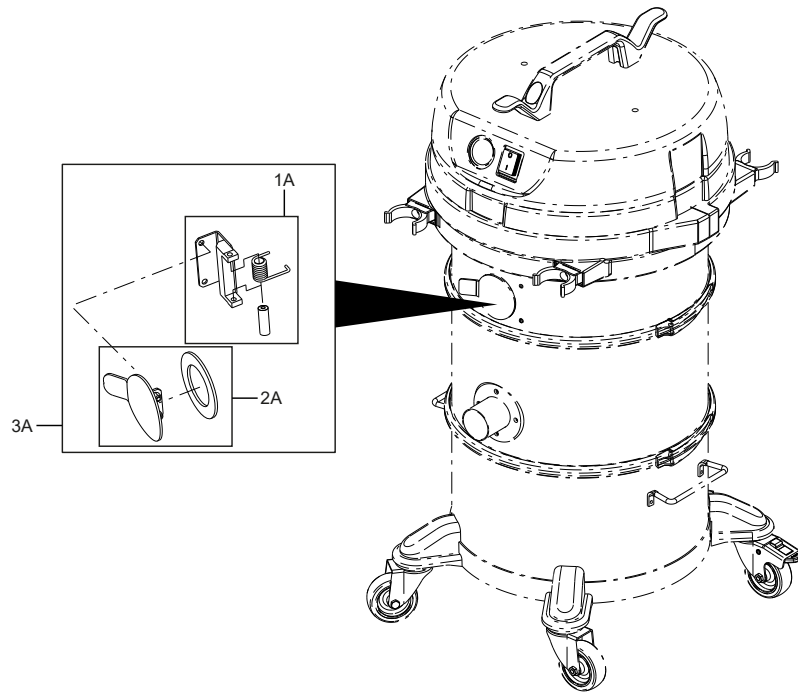
SUCTION UNIT 2

VHS011 ACD

2024.08.22

2024.08.22

Pos.	Artikel-Nr.	Menge	Variante	Notes
1	4084001360	1	VUOTOMETRO PER TESTATA VHS120Vacuum gauge	
1	Z8 40400	1	Manometer 127/137Vacuum gauge 110V	
2	4083901850	1	SWITCH VHS120 EU BRIGHT GREENMain switch	
3	4084001294	2	QUICK CONNECTION STRAIGHT JOINT D4 1/8 FConnection 1/8 F	
4	4084001295	3	HIGH TEMPERATURE PTFE PIPE 2X4D4 pipe	
1A	4089101203	1	VACUUM GAUGE KIT VHS01X ACD	
1A	4089101204	1	VACUUM GAUGE KIT VHS01X ACD 110V	



Pos.	Artikel-Nr.	Menge	Variante	Notes
1A	4083200794	1	GRUPPO LEVA CLAPET VHWClapet Lever kit	
2A	4089101178	1	CLAPET KIT VHS011	
3A	4089101179	1	COMPLETE CLAPET KIT VHS011	



heupel Reinigungstechnik GmbH

Gottlieb Daimler Str. 6
88214 Ravensburg

Tel: (049) 0751 - 35905-3
Fax: (049) 0751 - 35905-59

email: info@heupel-gmbh.de
www.heupel-gmbh.de

Shop: www.heupel-shop.de

Heupel - Reinigungstechnik - Beratung, Verkauf, Service, alles aus einer Hand.

