

PARTS LIST



heupel Reinigungstechnik GmbH

Gottlieb Daimler Str. 6
88214 Ravensburg

Tel: (049) 0751 - 35905-3
Fax: (049) 0751 - 35905-59

email: info@heupel-gmbh.de
www.heupel-gmbh.de

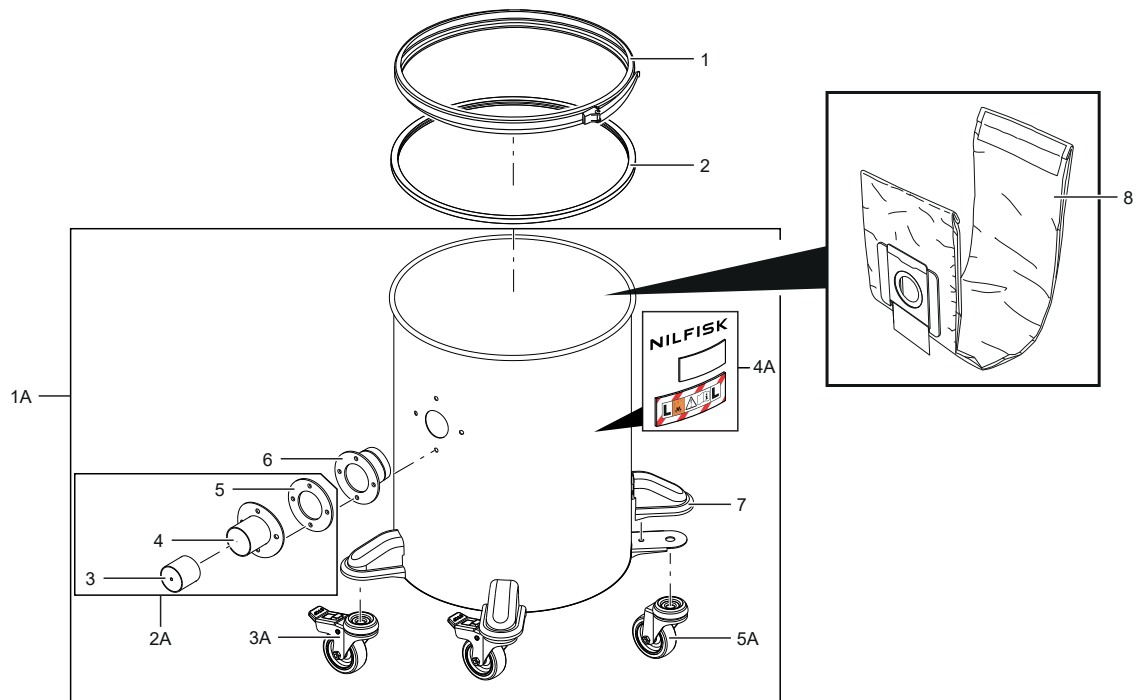
Shop: www.heupel-shop.de

Heupel - Reinigungstechnik - Beratung, Verkauf, Service, alles aus einer Hand.

2024.12.10

TABLE OF CONTENTS

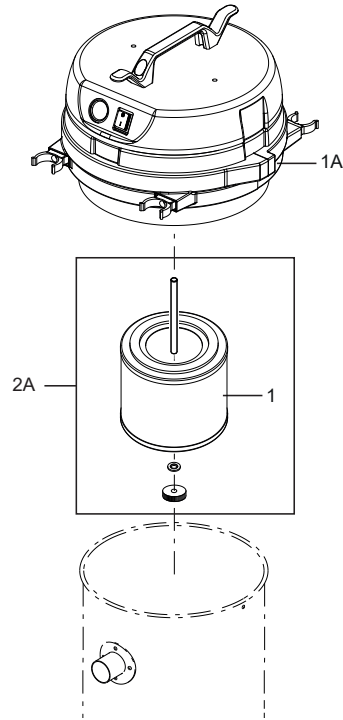
CONTAINER.....1
FILTER.....3
SUCTION UNIT.....5
SUCTION UNIT 1.....7
SUCTION UNIT 2.....9



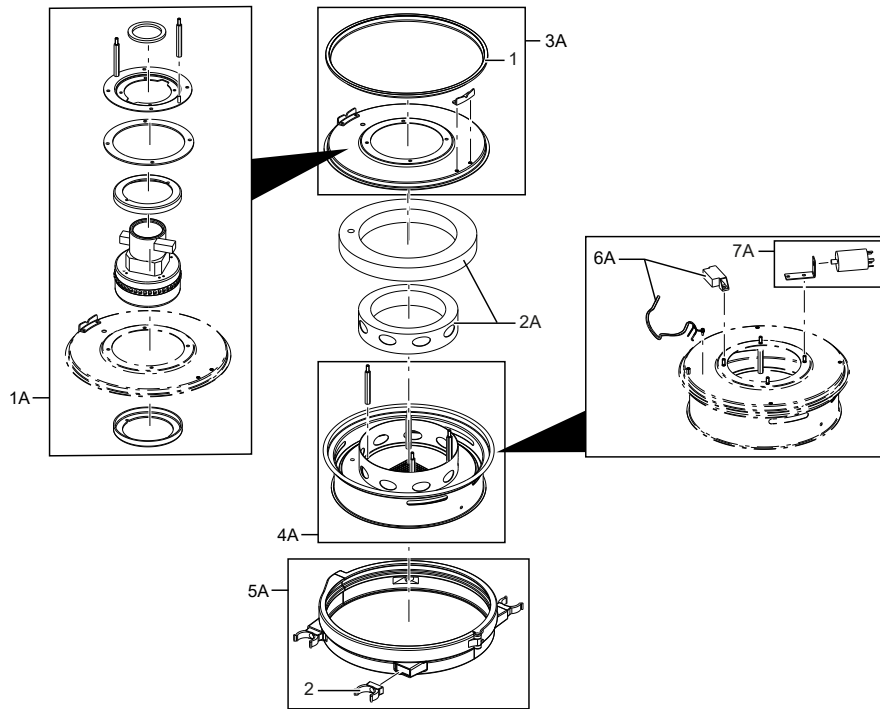
Pos.	Artikel-Nr.	Menge	Variante	Notes
1	4081801694	1	BAND LOCK D.320 MOD.VHS01XBand lock	
1	4081801692	1	CHIUSURA A FASCIA INOX D.320 MOD.VHS01XSS Band lock	
2	80554900	1	SEAL FOR HOLDER SILICONE AUTOCLAVABLED280 seal	
3	4081400969	1	END CAP FOR INLET D40 SS IVT1000Plug D40	
4	Z8 32086	1	INLET D40 FL.D100 INOXInlet D40	[1]
5	Z8 17005	1	Anschlussdichtung D50D40 inlet seal	
6	4083201015	1	BAG CONNECTION D.60 FLANGE D.80LC Bag Coupling	
6	4083201014	1	ATTACCO SACCO D.50 FLANGIA D.80MC/HC Bag Coupling	
7	4081701637	4	WHEELS BUMPER MOD.VHS01XFoot Cover	
8	107419635	1	SACCO CON COLLARE ATTIX5Paper Bag LC	
8	107419592	5	VLIESFILTERBEUTEL 5 STK. ATTIX 40/50Paper Bag LC	
8	4084001606	1	DUST BAG ANTISTATICO CAT. M D320Safe Bag MC	
8	4089101208	5	5 ANTISTATIC DUST BAG MC KIT D320	
8	4084001573	1	SAFE BAG ANTISTATIC D320 MOD.VHS010Safe Bag HC	
8	4089101209	5	5 ANTISTATIC DUST BAG HC KIT D320	
1A	4089101212	1	CONTAINER COMPLETE KIT VHS010 ACD LCLC Container complete kit	
1A	4089101213	1	CONTAINER COMPLETE KIT VHS010 ACD MC/HCMC/HC Container complete kit	
1A	4089101216	1	CONTAINER KIT COMPL. SS VHS010 ACD MC/HC	
2A	4089101211	1	COMPLETE INLET KIT D40 VHS010 ACD	
3A	4089101161	2	ANT.PIVOTING WHEEL+BRAKE KIT D60 M.VHS01D60 Wheel Kit with Brake	
3A	4089101217	2	PIVOTING WHEEL+BRAKE SS KIT D60 VHS01	
4A	4089101167	1	LABELS KIT VHS011	
5A	4089101162	2	ANT.PIVOTING WHEEL KIT D60 MOD.VHS01D60 Wheel Kit	
5A	4089101218	2	PIVOTING WHEEL SS KIT D60 VHS01	

Part Notes:

[1] - CONTACT PM IN ZOCCA



Pos.	Artikel-Nr.	Menge	Variante	Notes
1	Z8 17262	1	Absolutfilter AD VHW360/3VT H14"AU" filter	
1A	4089101191	1	COMPLETE HEAD KIT VHS010 ACD 230V	
1A	4089101192	1	COMPLETE HEAD KIT VHS010 ACD 110V	
2A	4056001053	1	SUCTION ARM D50 KIT TPLUS RAL7001 EXA"AU" filter kit	



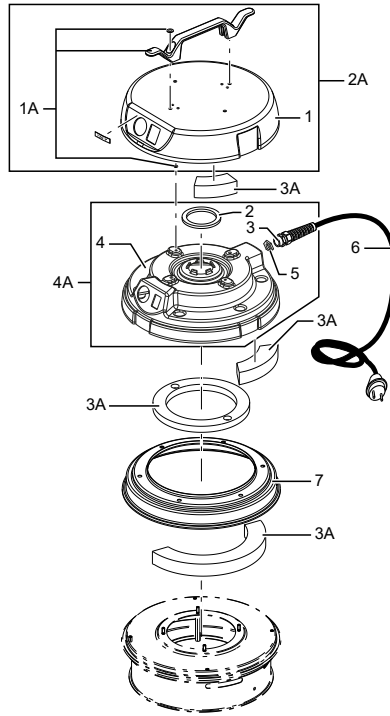
SUCTION UNIT

VHS010 ACD

2024.08.22

2024.08.22

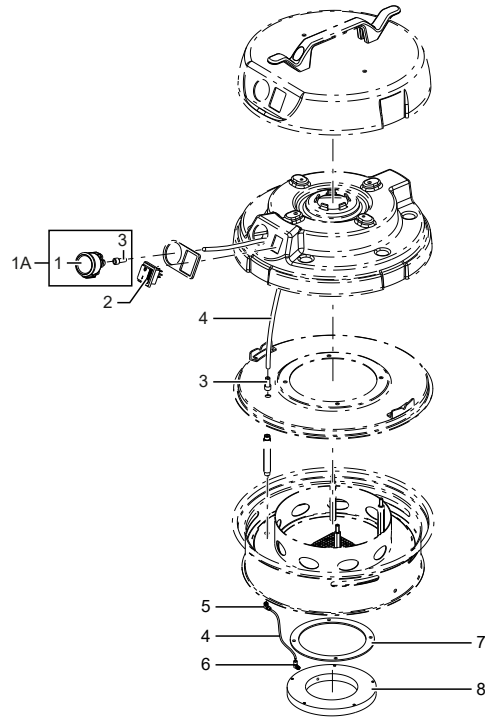
Pos.	Artikel-Nr.	Menge	Variante	Notes
1	80554900	2	SEAL FOR HOLDER SILICONE AUTOCLAVABLED280 seal	
2	4081601444	4	FIXING COLLAR ACCESSORIES D40 M.VHS011Accessories holder	
1A	4089101197	1	MOTOR KIT VHS01X ACD 230V	
1A	4089101198	1	MOTOR KIT VHS01X ACD 110V	
2A	4081701865	1	MOTORHEAD SOUNDPROOF KIT MOD.VHS01X ACDSoundproofing Kit	
3A	4089101168	1	MOTOR HOLDER KIT VHS01X	
4A	4089101210	1	MOTOR SUPPORT KIT VHS010	
4A	4089101219	1	MOTOR SUPPORT KIT VHS010 SS	
5A	4089101171	1	CLOSURE RING KIT + COLLARS VHS01X	
6A	4089101199	1	CABLE KIT VHS01X ACD	
7A	4089100799	1	KIT FILTER INTERFERENCE MOD.VHSFilter interference Kit	



Pos.	Artikel-Nr.	Menge	Variante	Notes
1	4081601434	1	COPRIMOTORE MOD.VHS01X ACD EUCover	
2	4081701875	1	FAN FILTER MOD.VHS01XFan Filter	
3	Z8 39060	1	Kabeldurchführung PG 16/Spring Gland	
4	4081601436	1	COPRIMOTORE MOD.VHS01X ACDLower cover	
5	Z8 39568	1	NutmutterMetal Ferrule	
6	Z8 39016	1	CABLE SUP. 3G1.5 NE. SCHUKO 9M MOD.S3Power Cable	[1]
6	ZS08UK39010	1	CAVO ALIM. 3G1,5 PVC SP UK 9MPower Cable 230V UKP	
6	Z8 391161	1	CAVO ALIM. 3G2,5 NE. 110V SP16A 9MPower Cable 110V UKP	
7	4081601465	1	UPPER MOTOR HOLDER D320 MOD.VHS01X ACDComplete preamplifier	
1A	4089101200	1	HANDLE KIT VHS01X ACD	
2A	4089101201	1	COVER KIT VHS01X ACD	
3A	4081701865	1	MOTORHEAD SOUNDPROOF KIT MOD.VHS01X ACDSoundproof Kit	
4A	4089101202	1	LOWER COVER KIT VHS01X ACD	

Part Notes:

[1] - ALT. USE KIT 40000909



Pos.	Artikel-Nr.	Menge	Variante	Notes
1	4084001360	1	VUOTOMETRO PER TESTATA VHS120Vacuum gauge	
1	Z8 40400	1	Manometer 127/137Vacuum gauge 110V	
2	4083901850	1	SWITCH VHS120 EU BRIGHT GREENMain switch	
3	4084001294	2	QUICK CONNECTION STRAIGHT JOINT D4 1/8 FConnection 1/8 F	
4	4084001295	3	HIGH TEMPERATURE PTFE PIPE 2X4D4 pipe	
5	4084001576	1	"MALE FITTING AIGNEP 1/8""Connection 1/8 M	
6	4084001577	1	MALE FITTING AIGNEP M5Connection M5 M	
7	Z8 17056	1	Dichtung für AnsaugstutzeD100 seal	
8	4081401020	1	PRESSURE TAKE FOR VACUUM GAUGE M.VHS01XVacuum Pressure Gauge	
1A	4089101203	1	VACUUM GAUGE KIT VHS01X ACD	
1A	4089101204	1	VACUUM GAUGE KIT VHS01X ACD 110V	



heupel Reinigungstechnik GmbH

Gottlieb Daimler Str. 6
88214 Ravensburg

Tel: (049) 0751 - 35905-3
Fax: (049) 0751 - 35905-59

email: info@heupel-gmbh.de
www.heupel-gmbh.de

Shop: www.heupel-shop.de

Heupel - Reinigungstechnik - Beratung, Verkauf, Service, alles aus einer Hand.

