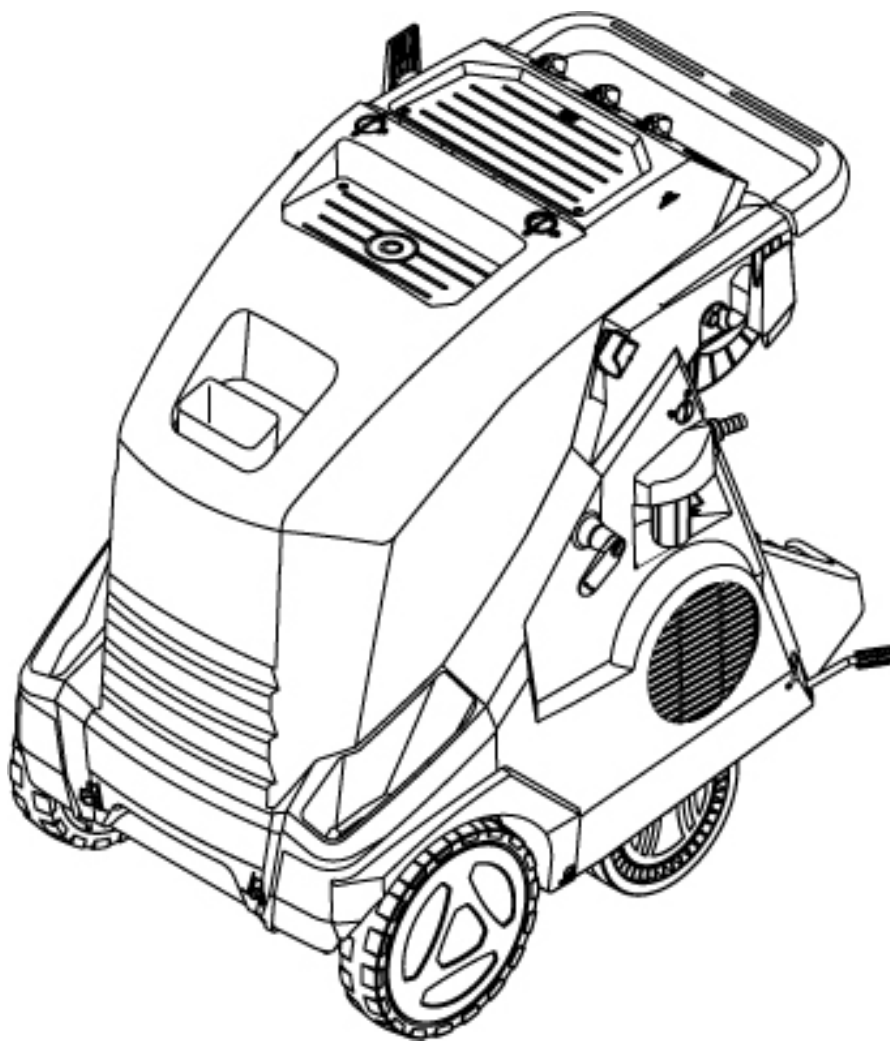


# PARTS LIST



**heupel** Reinigungstechnik GmbH

Gottlieb Daimler Str. 6  
88214 Ravensburg  
email: [info@heupel-gmbh.de](mailto:info@heupel-gmbh.de)  
[www.heupel-gmbh.de](http://www.heupel-gmbh.de)

Tel: (049) 0751 - 35905-3  
Fax: (049) 0751 - 35905-59

**Shop: [www.heupel-shop.de](http://www.heupel-shop.de)**

Heupel - Reinigungstechnik - Beratung, Verkauf, Service, alles aus einer Hand.

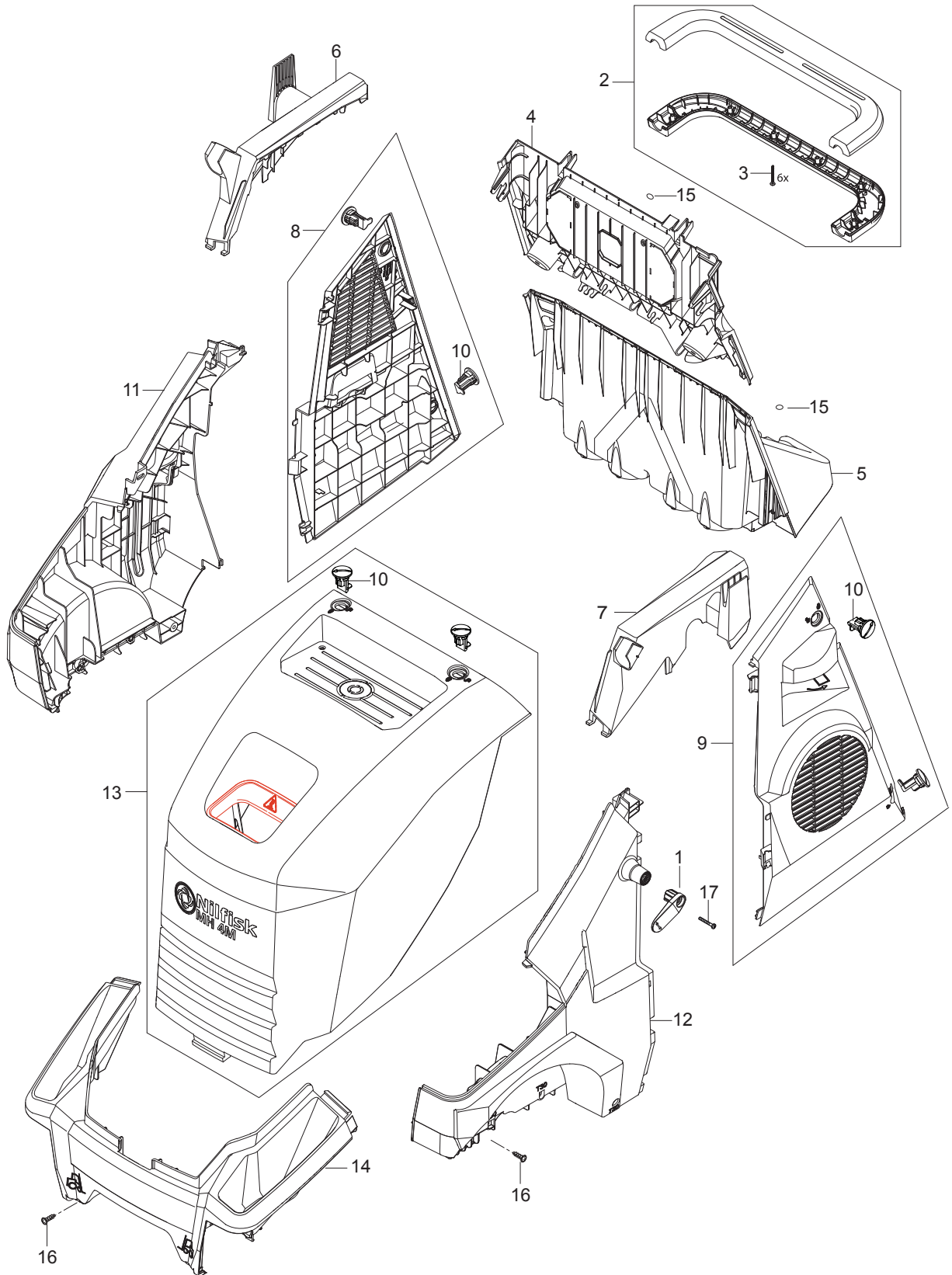
2024.06.14

# NILFISK

# TABLE OF CONTENTS

---

Cabinet.....	1
Chassis.....	3
1x detergent.....	5
Anti-scale.....	7
Burner unit.....	9
Boiler b2.5.....	11
Cables and wires.....	13
Cylinder block.....	15
Electric box.....	18
Electric box for motor 1~,3~ STAR and 3~ DELTA.....	21
Fan.....	23
Flow control PA_ w manometer.....	25
Fuel tank.....	27
Hose reel.....	29
Motor pump.....	31
Water break tank.....	34
Unloader_PA.....	36
Water inlet_PA.....	38
Recommended spare parts.....	40



Pos.	Artikel-Nr.	Menge	Variante	Notes
1	107143025	1	CABLE HOOK CLAMP BLUE	
2	101118192	1	HANDLE KIT	
3	909100148	6	Ejotschraube K40x30 WN 14	
4	107143013	1	REAR END TOP	
5	107143014	1	REAR END BOTTOM	
6	107143021	1	COVERING FOR HANDLE RIGHT	
7	107143022	1	COVERING FOR HANDLE LEFT	
8	107143023	1	DOOR W/LOCKS MPU NA5-NA6 RIGHT	
9	107143019	1	DOOR LEFT W/LOCKS	
10	301001261	6	Verriegelung	
11	107143012	1	SIDE BUMPER SMALL RIGHT	
12	107143011	1	SIDE BUMPER SMALL LEFT	
13	101118194	1	CABINET MH 4M NILFISK KIT	
14	107143015	1	FRONT BUMPER	
15	107143009	6	BLIND PLUG D16.5 FOR T30 BLACK PE	
16	107143018	12	SCREW M6X16	
17	107141838	7	SCHRAUBE K50X18 WN1451 SCHWARZ TORX 20	



## heupel Reinigungstechnik GmbH

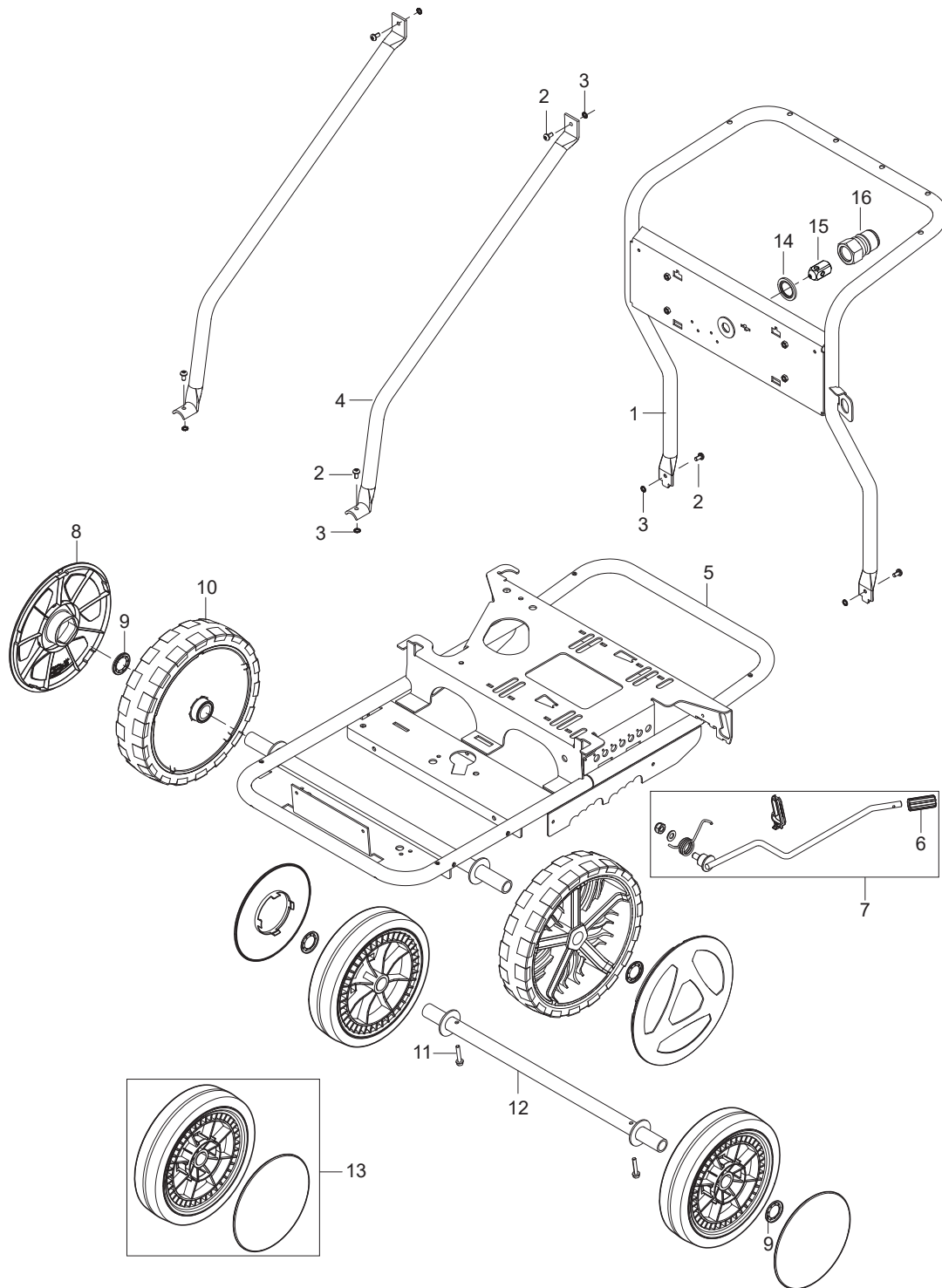
Gottlieb Daimler Str. 6  
88214 Ravensburg

Tel: (049) 0751 - 35905-3  
Fax: (049) 0751 - 35905-59

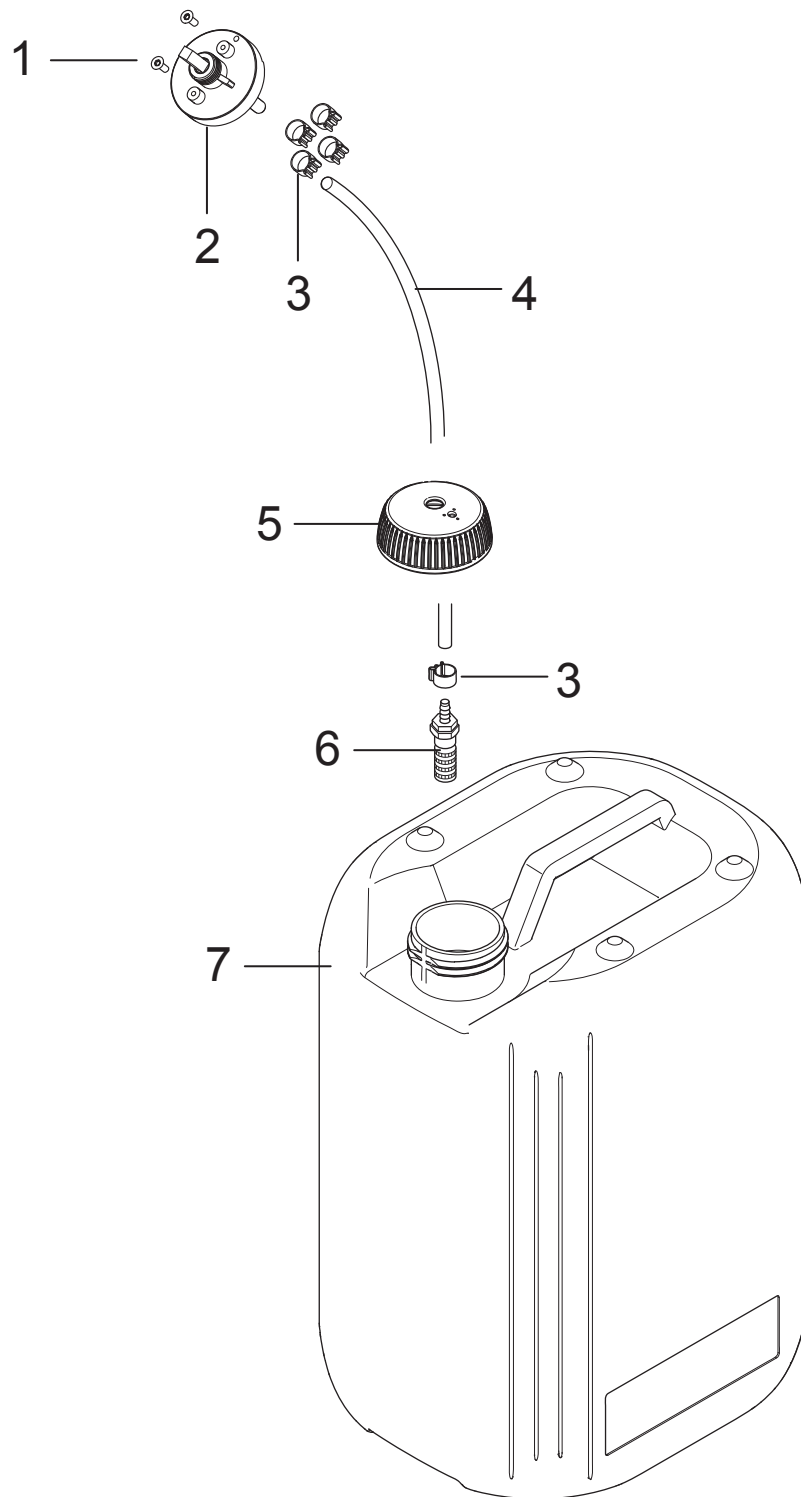
email: [info@heupel-gmbh.de](mailto:info@heupel-gmbh.de)  
[www.heupel-gmbh.de](http://www.heupel-gmbh.de)

**Shop: [www.heupel-shop.de](http://www.heupel-shop.de)**

Heupel - Reinigungstechnik - Beratung, Verkauf, Service, alles aus einer Hand.



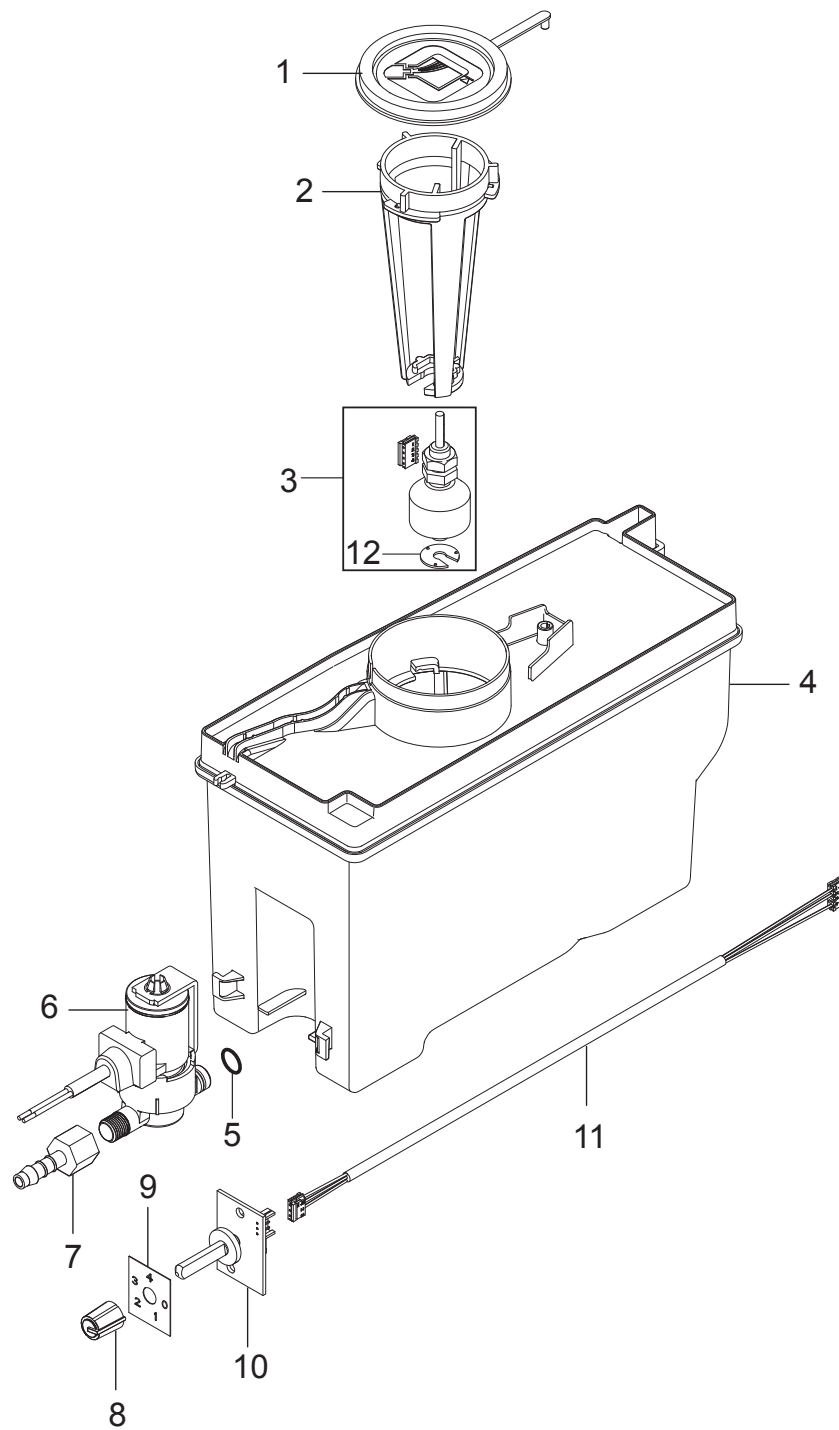
Pos.	Artikel-Nr.	Menge	Variante	Notes
1	31001031	1	FRAME HANDLE	
2	107143018	6	SCREW M6X16	
3	107143146	6	WASHER SERRATED M6	
4	31001032	2	HANDLE STIFFENER SHORT	
5	31001033	1	FRAME SHORT	
6	107143028	1	BRAKE KNOB	
7	101118180	1	BRAKE ARM SHORT KIT	
8	107145780	2	RADKAPPE FUER RAD Ø300X65	
9	46363	4	Klemmscheibe	
10	107145637	2	RAD D300X65 (STARCO)	
11	107143027	2	SCREW M6X35 SW10 DIN7500D FZB	
12	31001034	1	WHEEL AXLE REAR	
13	107143304	2	Rad D250 mit Abdeckung	
14	1801075	1	Dichtring	
15	107143066	1	PISTON	
16	1600493	1	Anschlussstück	



---

<b>Pos.</b>	<b>Artikel-Nr.</b>	<b>Menge</b>	<b>Variante</b>	<b>Notes</b>
1	1814730	2	Schraube 3,5x10	
2	301001000	1	Ventil	
3	301001133	8	Schlauchklemme 10/7	
4	106408243	1	HOSE 1/4INCH TRANSPARENT - 5 METERS	
5	107141664	2	Deckel	
6	107145440	2	Sieb Ventil Komplettsset	
7	80518	1	Behälter	





Pos.	Artikel-Nr.	Menge	Variante	Notes
1	45646	1	Deckel	
2	107143040	1	LEVELSENSOR BRACKET FOR ANTISCALE	
3	101118214	1	FLOAT SWITCH KIT	
4	107143041	1	ANTISCALE TANK CPL.	
5	31001036	1	O-RING 6X2 NBR 70SH	
6	107143037	1	DOSING VALVE RPE 24VAC	
7	107143036	1	HOSE FITTING D6X1/8 PA	
8	107318222	1	PUSH-ON KNOB 11MM/6MMD/WH	
9	107143042	1	LABEL FOR ANTISCALE	
10	101117780	1	PCB FOR POTENTIONMETER	
11	107143038	1	CABLE FOR ADJUSTMENT ANTI SCALE	
12	107142593	1	HOLDING WASHER PE	[1]

Part Notes:

- [1] - TSB-PPW-2016-017 Locking ring for oil level switch falling off



## heupel Reinigungstechnik GmbH

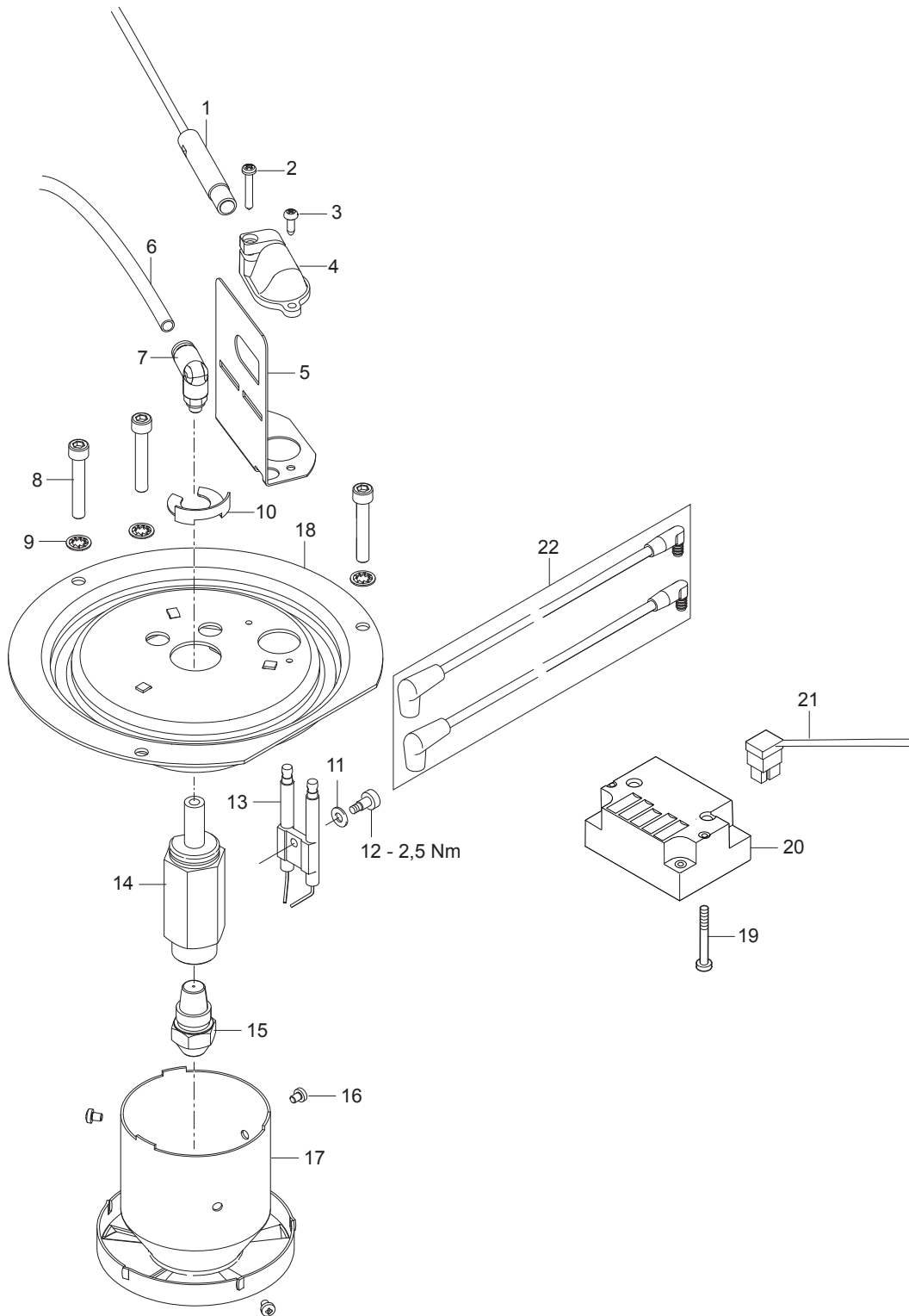
Gottlieb Daimler Str. 6  
88214 Ravensburg

Tel: (049) 0751 - 35905-3  
Fax: (049) 0751 - 35905-59

email: [info@heupel-gmbh.de](mailto:info@heupel-gmbh.de)  
[www.heupel-gmbh.de](http://www.heupel-gmbh.de)

**Shop: [www.heupel-shop.de](http://www.heupel-shop.de)**

Heupel - Reinigungstechnik - Beratung, Verkauf, Service, alles aus einer Hand.



Pos.	Artikel-Nr.	Menge	Variante	Notes
1	107143100	1	FLAME SENSOR WITH CABLE	
2	5606	1	Blechschaube 2,9x19	
3	4036	1	Blechschaube 2,9x9,5	
4	301000934	1	Halter	
5	107143101	1	SHIELD FOR FLAME SENSOR	
6	909100141	1	Brennstoffleitung 4x1 mm x 1 m	
7	101117913	1	Winkerverschraubung	
8	3873	3	Schraube M5x30	
9	3376	3	Fächerscheibe 5,3 -A- DIN 6798 VA	
10	101117876	1	Sicherungsring	
11	909100144	1	Federscheibe B5	
12	909100143	1	Schraube M4x4,5	
13	301150009	1	Elektrode	
14	101117915	1	Düsenstock	
15	61659	1	Düse 1.25 GAL 60°	[1]
16	51848	3	Linsenschraube M3x 4 DIN 7985 zn	
17	107143102	1	AIR DISTRIBUTOR CPL.	
17	107145775	1	AIR DISTRIBUTOR Ø 77.5	[2]
18	101117757	1	Abdeckung Brenner komplet	
19	909100149	2	Ejotschraube K50x50 WN 14	
20	101117759	1	Zündtransformator 220-240	[3]
20	101117959	1	COFI TRH2-30CU VD 120V 50/60HZ	[4]
21	107143098	1	PRIMARY CABLE FOR IGNITION COIL	
22	101118220	1	2 X IGNITION CORDS KIT	

Part Notes:

[1] - 70kW

MH 4M: Machine no. 107146910, 107146911, 107146912, 107146913, 107146914, 107146916, 107146917, 107146918, 107146919, 107146920, 107146921, 107146922, 107146923, 107146924, 107146934, 107146938, 107146940

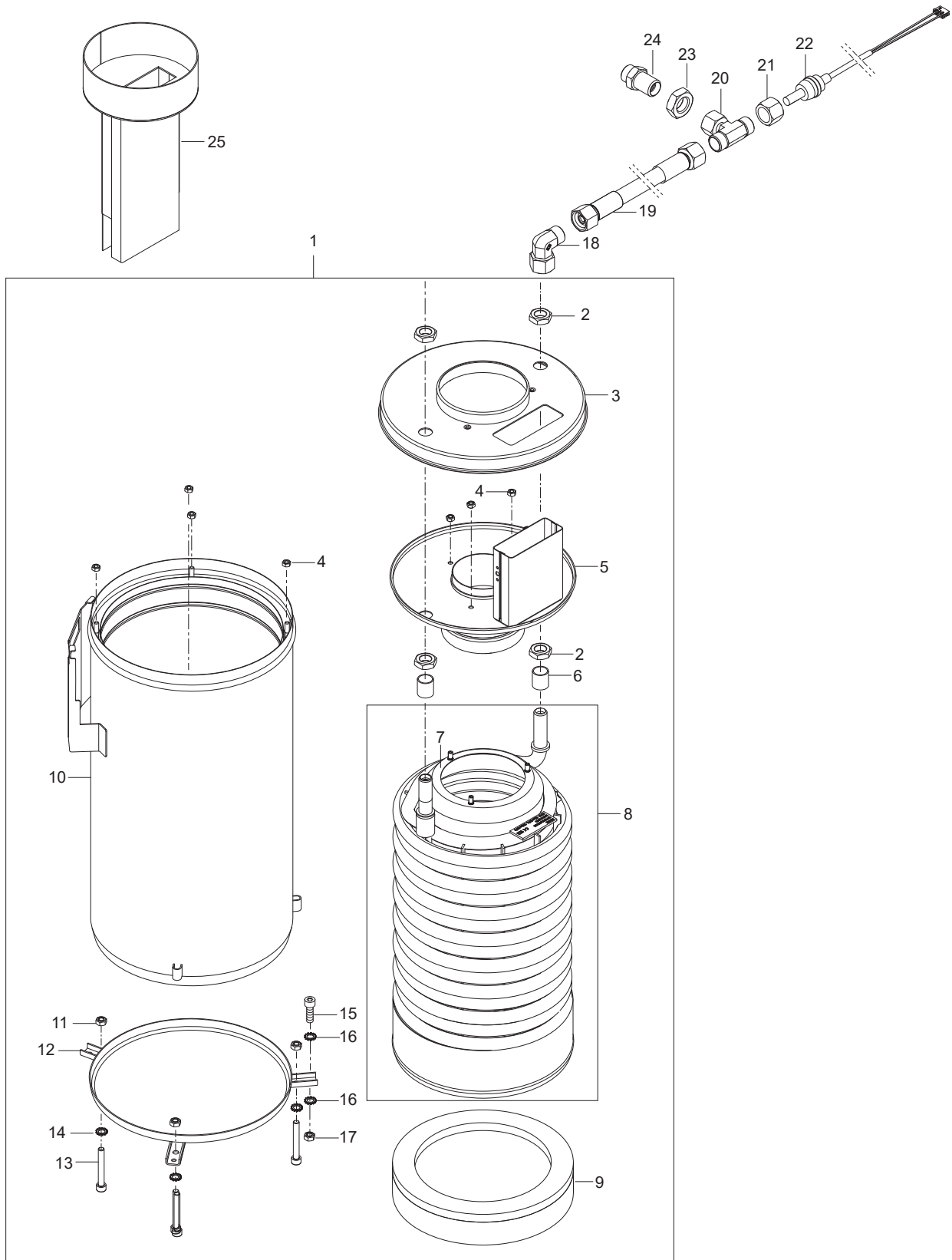
[2] - to be used on B2.5 where the location is higher than 1000m above sea level

[3] - TSB-PPW-2018-004 Boiler cannot start - no ignition

FR TSB-PPW-2018-004 Le bruleur ne démarre plus

DE TSB-PPW-2018-004 Brenner startet nicht - keine Zündung

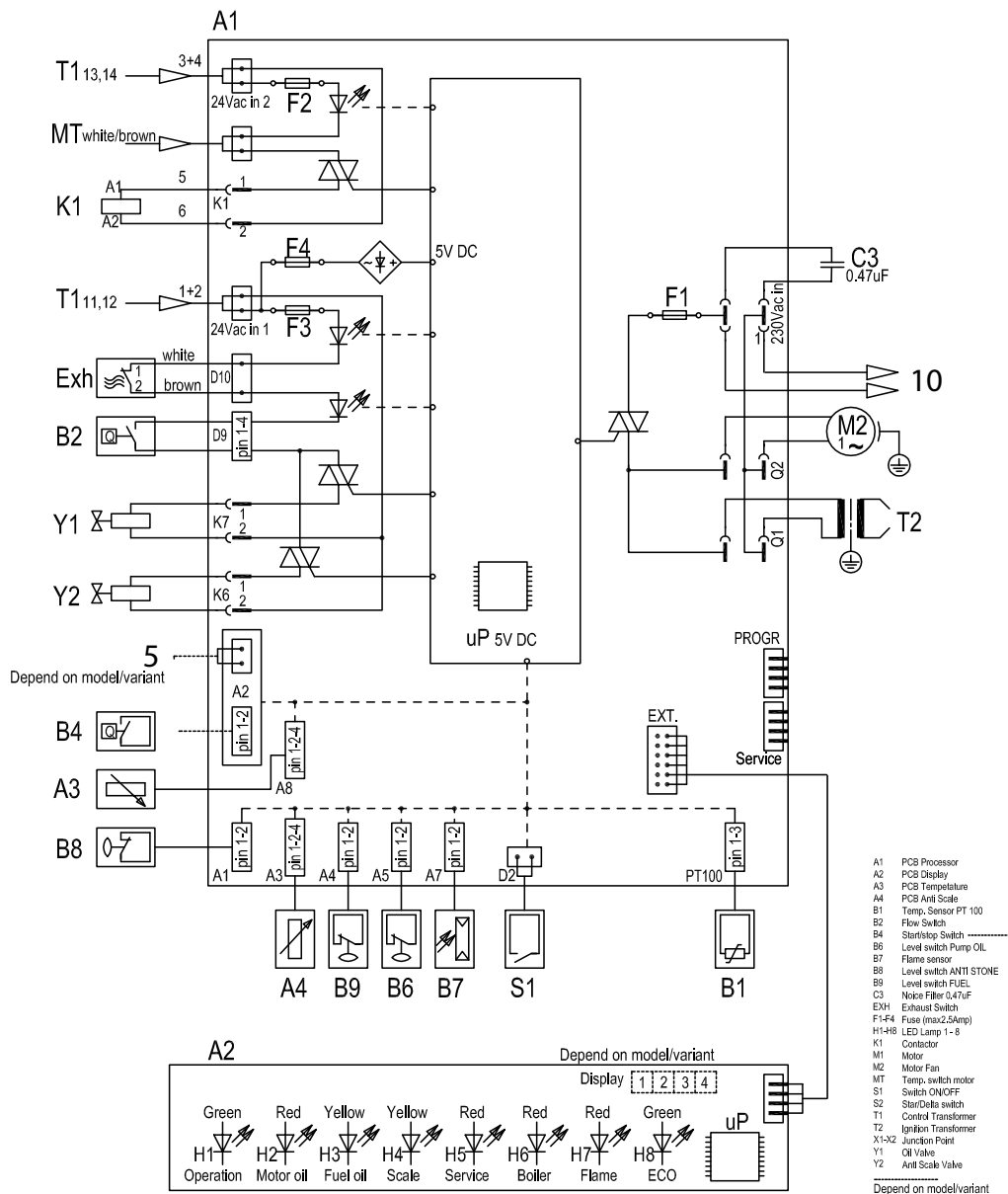
[4] - US



Pos.	Artikel-Nr.	Menge	Variante	Notes
1	107143103	1	HEAT EXCHANGER B2.5, MH	
1	107143105	1	HEAT EXCHANGER B2.5 SS, MH	
2	7012	4	Mutter 6kt M18x1,5	
3	101117768	1	Brennerdeckel au en	
4	12263	4	Sechskantmutter M6	
5	31001040	1	INSIDE BOILER TOP CPL B2.5	
6	301000582	2	Hülse	
7	31000527	1	Abschirmkegel FÜR KESSEL	
8	31001041	1	COIL WELDED B2.5	
8	107143302	1	COIL B2.5 SS, MH	[1]
9	31001042	1	INSULATION B2.5	
10	31001043	1	BOILER JACKET B2.5	
11	2758	3	Sechskantmutter M8 DIN 934 zn	
12	31001044	1	BOTTOM PLATE WELDED B2/2.5	
13	3453	3	Sechskantschraube M8x60	
14	1810274	3	Fächerscheibe 8,2 -J- DIN 6798 VA	
15	4697	3	Zylinderschraube M6x16	
16	107143146	6	WASHER SERRATED M6	
17	11619	3	Sechskantmutter M6 ISO7042 A2K	
18	101118094	1	Kupplungssatz 90D ISO	
19	107143067	1	HP HOSE 5/16 DN8 BLACK W/2X DKL	
20	101118093	1	Verbindungsstück	
21	1081	1	Überwurfmutter DIN 3870-A L 12 St/zn	
22	107143083	1	TEMPERATUR SENSOR PT100 W/CABLE	
23	1803220	1	Mutter M18x1,5 I	
24	107143082	1	OUTLET FITTING	
25	106403197	1	CHIMNEY ADAPTOR B2/B2.5 ACCESSORY	

Part Notes:

[1] - TSB-PPW-2017-011 Stainless Steel heat exchangers new stay material and new spare part numbers

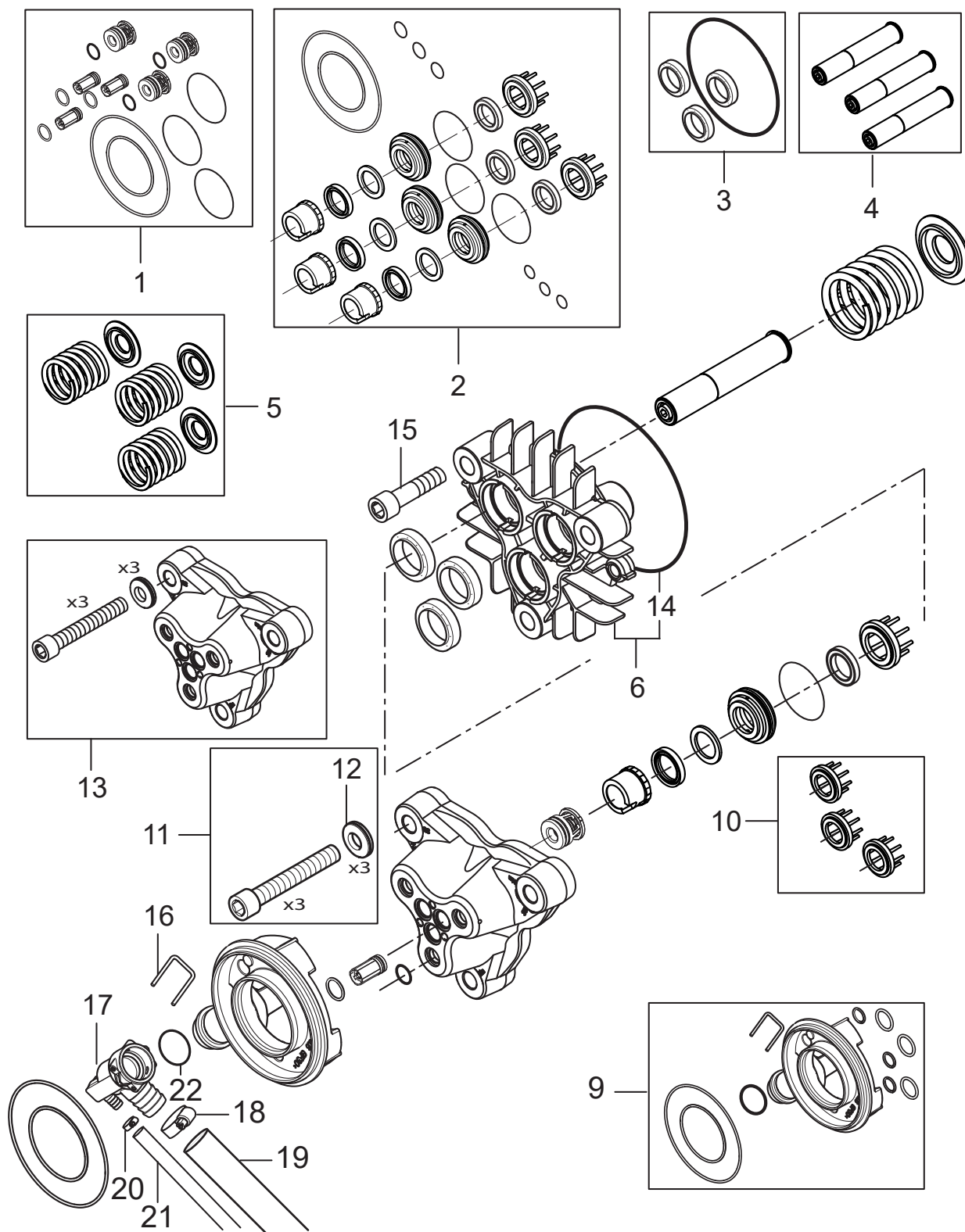


Pos.	Artikel-Nr.	Menge	Variante	Notes
T1	107143052	2	CABLE FOR POWER TRANSFORMER SEC 6X0.75	
MT	107143070	1	CABLE FOR MT	[1]
MT	107143057	1	CABLE FOR RELAY	[2]
MT	107143081	1	CABLE FOR MT MH3	[3]
K1	107143052	1	CABLE FOR POWER TRANSFORMER SEC 6X0.75	
Exh	107143055	1	CABLE FOR HOT WATER MODE AND EXH. SWITCH	
B2	107143121	2	REED SWITCH NO W/CABLE	
Y1	107143095	1	CABLE FOR SOLENOID VALVE 2X0.5	
Y2	107143037	1	DOSING VALVE RPE 24VAC	
5	31001037	1	SWITCHBOX ASSEMBLED WITH CABLE	[4]
5	101118188	1	MICRO-SWITCH KIT	[5]
B4	107143121	2	REED SWITCH NO W/CABLE	[6]
A3	107143043	1	CABLE FOR TEMPERATURE ADJUSTMENT	
B8	101118214	1	FLOAT SWITCH KIT	
A4	107143038	1	CABLE FOR ADJUSTMENT ANTI SCALE	
B9	107143033	1	LEVEL SENSOR FUEL TANK	[7]
B9	107143059	1	EHR-4 JUMPER	[8]
B6	101118173	1	OIL SENSOR W/PLUG KIT	[9]
B6	107143059	1	EHR-4 JUMPER	[8]
B7	107143100	1	FLAME SENSOR WITH CABLE	
S1	107143055	1	CABLE FOR HOT WATER MODE AND EXH. SWITCH	
B1	107143083	1	TEMPERATUR SENSOR PT100 W/CABLE	
A1	107143053	1	CABLE FOR UI	
A2	107143098	1	PRIMARY CABLE FOR IGNITION COIL	
M2	107143096	1	MOTOR BURNER - 0.23KW/230V/50HZ/1PH	[10]
M2	107143097	1	MOTOR BURNER 390W/200-240V/50/60HZ	[11]
10	107143054	1	WIRE BLACK L=400	[12]
10	107143058	1	WIRE 1.5MM2 BLACK	[2]
C3	101117867	1	Entstörglied	

## Part Notes:

- [1] - MH4
- [2] - MH3 1~
- [3] - MH3 3~
- [4] - MH3
- [5] - NA5 PA
- [6] - NA5 FA
- [7] - MH4+5+6+7
- [8] - MH3+MH4FAL
- [9] - MH4+5+6+7  
MI 107309166 JST Connector
- [10] - All except MH4 JP+ MH4M-200 60Hz
- [11] - MH4 JP+ MH4M-200 60Hz
- [12] - All except MH3 1~





Pos.	Artikel-Nr.	Menge	Variante	Notes
1	101118121	1	Satz Ventile	
2	101118323	1	Wasserdichtungssatz	[1]
3	107144102	1	Dichtungssatz Kolben	
4	101118239	1	PISTON KIT - NA5.2	
5	107144104	1	Satz Feder	
6	107141983	1	CYLINDER BLOCK W/ O-RING NA5.2	
9	101118147	1	Einlass Kit NA5	
10	107140919	1	SUPPORT RING NA5 SPARE VPE 3	
11	107141968	1	CYL.SCREW M12X80 WITH NORDLOCK WASHER	
12	107141969	3	WASHER NLX12SP D12.5XD25.4X4.2MM	
13	107141985	1	CYLINDER HEAD NA5.2 W. SCREWS WASHERS	
14	107141512	1	O-Ring D114 x D1.78	
15	4042	2	Schraube M8 X 40 8.8	
16	107143085	1	LOCK PIN	
17	107143092	1	WATER LIMITER (SMALL)	[2]
17	107143000	1	WATER LIMITER (MEDIUM)	[3]
18	8298	2	Schlauchschele SGL 16-27	
19	107143031	1	FUELFLEX HOSE D28/D20 10BAR/20°	
20	11654	1	Schlauchklemme 11,5	
21	106408243	1	HOSE 1/4INCH TRANSPARENT - 5 METERS	
22	107143088	1	O-RING 18.72X2.62	

## Part Notes:

- [1] - TSB-PPW-2020-003 NA5 pump THRUST COLLAR changed  
 DE TSB-PPW-2020-003 NA5 Pumpe - Änderung der Druckringe  
 TSB-PPW-2020-003 Nouvelles bagues laiton pour pompe NA5
- [2] - MH 4M-100/680 PA

MH 4M-100/720 FA Gerni

MH 4M-130/720 FA

- [3] - MH 4M-200/960FA  
MH 4M-210/1000PA  
MH 4M-180/890 FA  
MH 4M-180/860 FA  
MH 4M-220/1000 FA



## **heupel** Reinigungstechnik GmbH

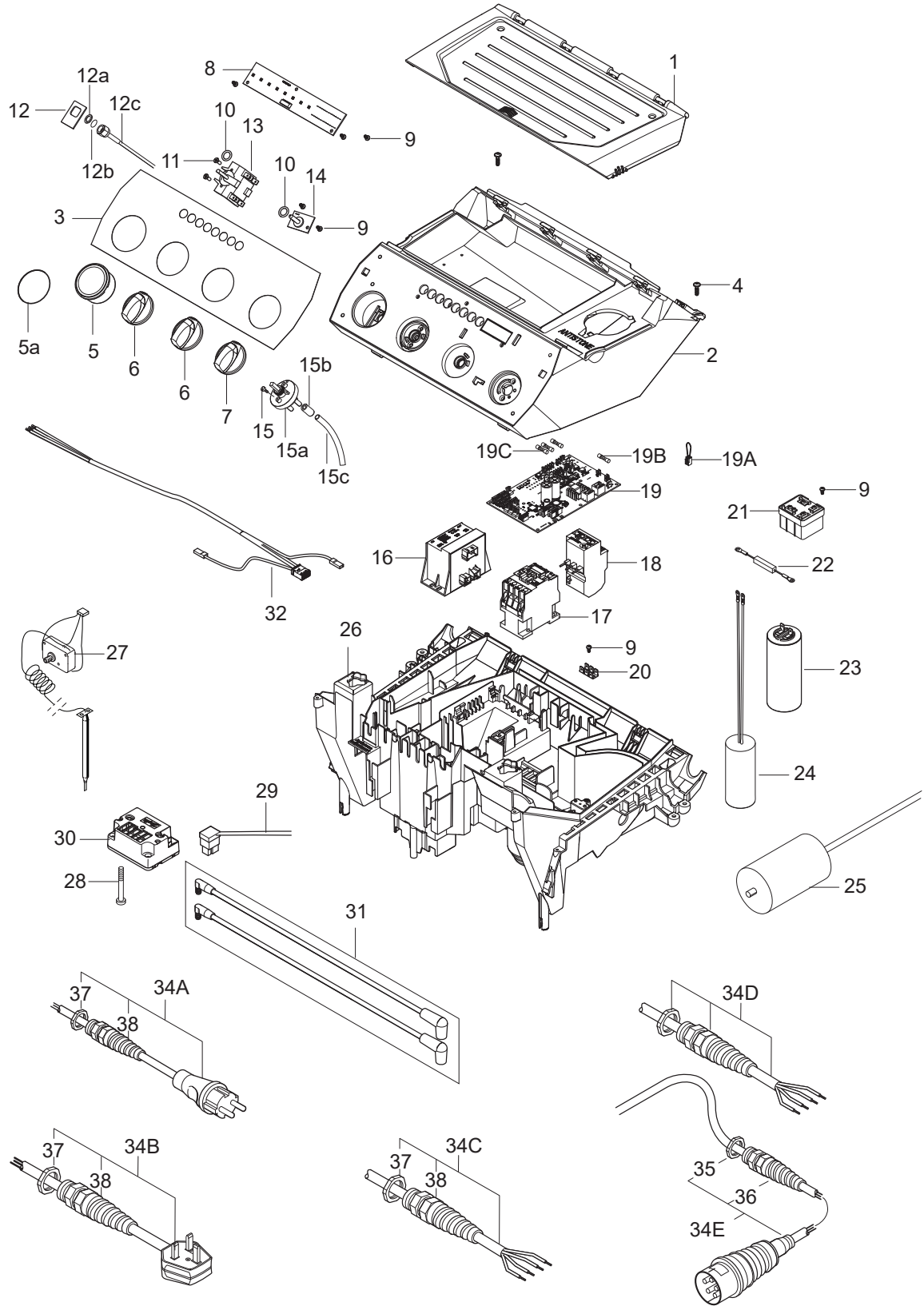
Gottlieb Daimler Str. 6  
88214 Ravensburg

Tel: (049) 0751 - 35905-3  
Fax: (049) 0751 - 35905-59

email: [info@heupel-gmbh.de](mailto:info@heupel-gmbh.de)  
[www.heupel-gmbh.de](http://www.heupel-gmbh.de)

**Shop: [www.heupel-shop.de](http://www.heupel-shop.de)**

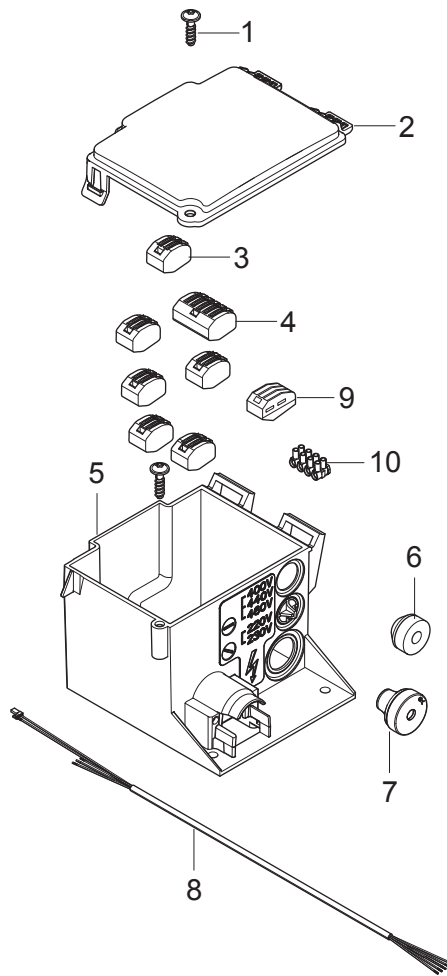
Heupel - Reinigungstechnik - Beratung, Verkauf, Service, alles aus einer Hand.



Pos.	Artikel-Nr.	Menge	Variante	Notes
1	107143046	1	TOOL BOX LID	
2	107143045	1	E-BOX TOP	
3	107143047	1	LABEL F. CONTR PANEL MEDIUM SPEC NILFISK	
3	107143049	1	LABEL F. CONTROL PANEL LOW SPEC NILFISK	[1]
4	107141838	2	SCHRAUBE K50X18 WN1451 SCHWARZ TORX 20	
5	107141648	1	MANOMETER 0-300 BAR	
5a	107143050	1	COVER FOR E-BOX (MANO-HOLE)	[1]
6	909100204	2	Drehknopf 6x5 blau	
7	909100214	1	Schalter GR 1 4 Kt	
8	107143044	1	PCBA UI LED	
9	909100046	5	Schraube 4x8	
10	9868	2	O-Ring 10x2,5	
11	18274	2	Senkschraube M4x12	
12	107141650	1	Halter	
12a	107141651	1	Scheibe DIN125-A13	
12b	31000508	1	O-RING NBR	
12c	102406647	1	Manometerrohr	
13	28877	1	Schalter	
14	101117730	1	PCB FOR POTENTIOMETER	
15	1814730	2	Schraube 3,5x10	
15a	301001000	1	Ventil	
15b	301001906	1	Verschlusskappe	
15c	106408243	1	HOSE 1/4INCH TRANSPARENT - 5 METERS	
16	107143051	1	POWER TRANSFORMER 230/400V 2X24V	
16	107143064	1	POWER TRANSFORMER 220-240V/440-460V	
16	107143068	1	POWER TRANSFORMER 115 / 200V	
17	103822306	1	Schütz CJX2-D18-B7 24V	[2]
17	103822313	1	Schütz 100-C23KJ10	[3]
17	103822317	1	Schütz CJX2-D32-B7 24V	[4]
18	103822327	1	Thermorelais 12-18A	[5]
19	107143151	1	PCBA MH	[6]
19A	101221031	1	Jumper f. Servicerückstellung	
19B	31001190	1	FUSE 6.3A 5X20 MM 250V	
19C	15846	3	Sicherung 5x20 2,5A T	[7]
20	107307326	1	ERDUNGSANSCHLUSS 6 PIN	
21	107142761	1	START RELAY RVA4G0C	[8]
22	107141730	1	DISCHARGE RESISTOR 15KOHM/7W	
23	107141856	1	CAPACITOR 70UF 450V	[9]
24	107143182	1	CAPACITOR 70UF 450/500V RP-3	[10]
25	107141619	1	CAPACITOR 170MF	[11]
26	107143062	1	E-BOX BOTTOM	
27	101117723	1	Abgastemperaturüberwachung	
28	909100149	2	Ejotschraube K50x50 WN 14	
29	107143098	1	PRIMARY CABLE FOR IGNITION COIL	
30	101117759	1	Zündtransformator 220-240	[12]
31	101118220	1	2 X IGNITION CORDS KIT	
32	107143056	1	CABLE FOR POWER TRAF0 PRIM 230V	[13]
32	107143063	1	CABLE FOR POWER TRANSFORMER PRIM 400V	[14]
32	107143072	1	CABLE F. POWER TRANSFORMER PRIM 230/400	[15]
34A	101117809	1	Netzkabel H07RN CEE	[16]
34B	101117812	1	Netzkabel H07RN BS13	[17]
34C	101117811	1	Netzkabel H07RN 4G1,5	[18]
34C	107143099	1	POWER CORD 4X2.5MM2 X9M	[19]
34D	101118182	1	POWER CORD H07RN 4G2.5X6M GND 6.3X0.8 NO	[20]
34E	301000834	1	Anschlussleitung Europa	[21]
35	909100198	1	Schnur Befestigung	
36	909100020	1	Sechskantmutter M25x1,5 EN 50262 PA	
37	909100019	1	Sechskantmutter M20x1,5 EN 50262 PA	
38	909100043	1	Kabelverschraubung	

## Part Notes:

- [1] - FAL
- [2] - All MH3  
MH4-100/680, MH4-130/720, MH4-180/860, MH4-200/960, MH4-210/1000, MH220/1000
- [3] - MH3-160/770 440-220V 3~ 60Hz (EXP)  
MH4-200/960 400-230V 3~ 50Hz (NO)
- [4] - MH4-180/890 200V 3~ 50/60Hz (JP), MH4-200/960 440-220 3~ 60Hz (EXP)
- [5] - Only MH3
- [6] - TSB-PPW-2018-014 MH models Software update  
DE TSB-PPW-2018-014 MH-Modelle Software Update
- [7] - GUARANTEE DATE EXPIRED
- [8] - TSB-PPW-2018-003 MH\_MC change of start relay and run capacitor  
TSB-PPW-2018-003 MH\_MC Changement du relais de démarrage et du condensateur de fonctionnement
- [9] - MH3: 1ph
- [10] - MH4: 1ph  
TSB-PPW-2018-003 MH\_MC change of start relay and run capacitor
- [11] - MH4: 1ph
- [12] - TSB-PPW-2018-004 Boiler cannot start - no ignition  
FR TSB-PPW-2018-004 Le bruleur ne démarre plus  
DE TSB-PPW-2018-004 Brenner startet nicht - keine Zündung
- [13] - MH3/MH4: 1~
- [14] - MH3/MH4: Star or Delta
- [15] - MH3/MH4: star/delta
- [16] - MH 4M-130/720 FA 230/1/50 EU
- [17] - MH 3M-100/600 PA 230/1/50 UK, MH 4M-100/680 PA 230/1/50 UK
- [18] - MH 3M-160/770 PA 440-220/3/60 EXPT
- [19] - MH 4M-180/890 FA 200/3/50 JP
- [20] - MH 4M-200/960 FAX 400-230/3/50 NO, EXP
- [21] - MH 4M-200/960 FA 400/3/50 EU, MH 4M-180/860 FAL 400/3/50 EU, MH 4M-210/1000 PAX 400/3/50 EU, MH 3M-160/770 PA 400/3/50 EU, MH 4M-220/1000 FAX 400/3/50 EU

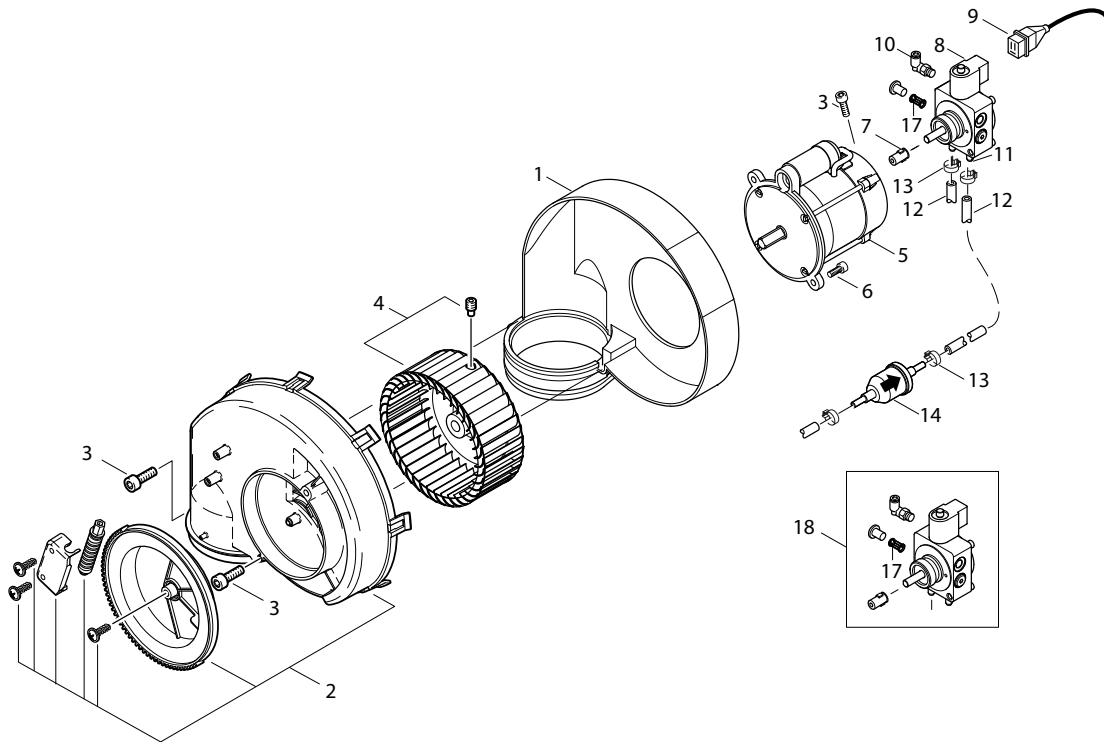


Pos.	Artikel-Nr.	Menge	Variante	Notes
1	107141838	1	SCHRAUBE K50X18 WN1451 SCHWARZ TORX 20	
2	301000782	1	Deckel	
3	107143069	6	SNAP TERMINAL 2 POL	
4	301002165	1	Anschlussklemmenkäfig	
5	107143074	1	E-BOX	
6	3803764	1	Stopfbuchse TET 5-7C	
7	3803772	1	Tülle	
8	107143075	1	MOTOR CABLE 5G1.5 FOR 3~	[1]
8	107143076	1	MOTOR CABLE 5G1.5 FOR 1~	[2]
8	107143071	1	MOTOR CABLE 5G2.5 FOR STAR/DELTA	[3]
8	107143129	1	MOTOR CABLE 4G4 DELTA MH5-6-7	[4]
9	107143069	1	SNAP TERMINAL 2 POL	[5]
10	107143158	1	TERMINAL BLOCK 4-POL 10MM2	[6]

## Part Notes:

- [1] - MH4, MH5-200
- [2] - MH4 1ph, MH5 1ph
- [3] - MH4 (JP), MH5 (not MH5-200), MH6, MH7
- [4] - MH6 JP, MH7 JP
- [5] - 1~
- [6] - MH5-6-7 - Delta, JP





## heupel Reinigungstechnik GmbH

Gottlieb Daimler Str. 6  
88214 Ravensburg  
email: [info@heupel-gmbh.de](mailto:info@heupel-gmbh.de)  
[www.heupel-gmbh.de](http://www.heupel-gmbh.de)

Tel: (049) 0751 - 35905-3  
Fax: (049) 0751 - 35905-59

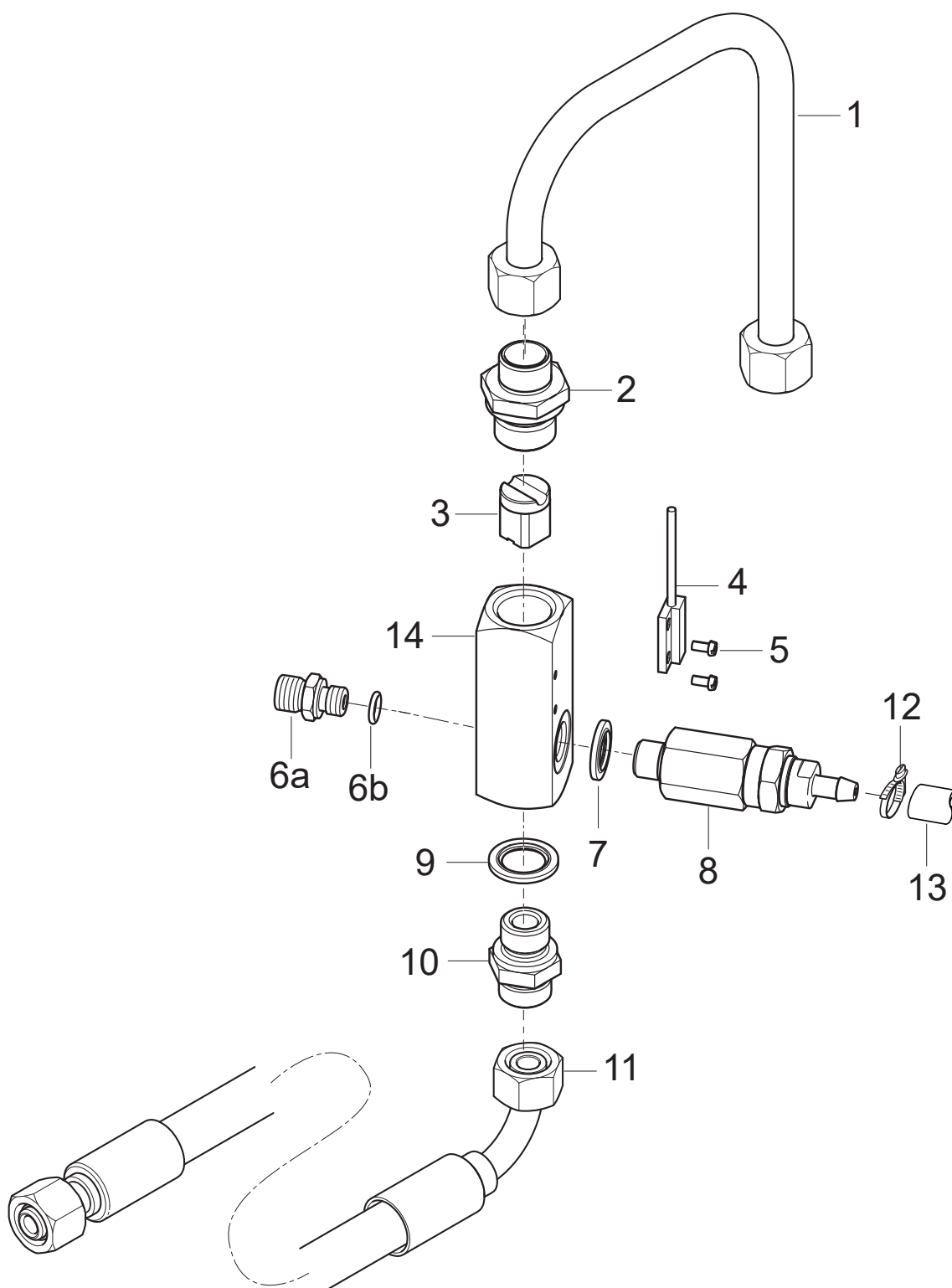
**Shop: [www.heupel-shop.de](http://www.heupel-shop.de)**

Heupel - Reinigungstechnik - Beratung, Verkauf, Service, alles aus einer Hand.

Pos.	Artikel-Nr.	Menge	Variante	Notes
1	301000495	1	Lüftergehäuse	
2	301000852	1	Abdeckung	
3	32535	3	Zylinderschraube M5x16	
4	301000889	1	Lüfterrad	
4	301002126	1	Lüfterrad	[1]
5	107143179	1	MOTOR BURNER 350W/110-120V/50/60HZ	[2]
5	107143096	1	MOTOR BURNER - 0.23KW/230V/50HZ/1PH	
5	107143097	1	MOTOR BURNER 390W/200-240V/50/60HZ	[1]
6	4697	2	Zylinderschraube M6x16	
7	101117707	1	Verbindungskupplung	
8	3821089	1	Spule m. Mutter und Scheibe	
9	107143095	1	CABLE FOR SOLENOID VALVE 2X0.5	
10	101117706	1	Winkelverschraubung	
11	101117777	1	Schlauchverbindung zur Öl	
12	106408244	1	HOSE D6X2.5 - 5 METERS	
13	301001133	2	Schlauchklemme 10/7	
14	301002926	1	Filter 101X36.5X6 KU	
17	31001081	1	FILTER FOR OIL PUMP	
18	101117673	1	Ölpumpe komplett	

## Part Notes:

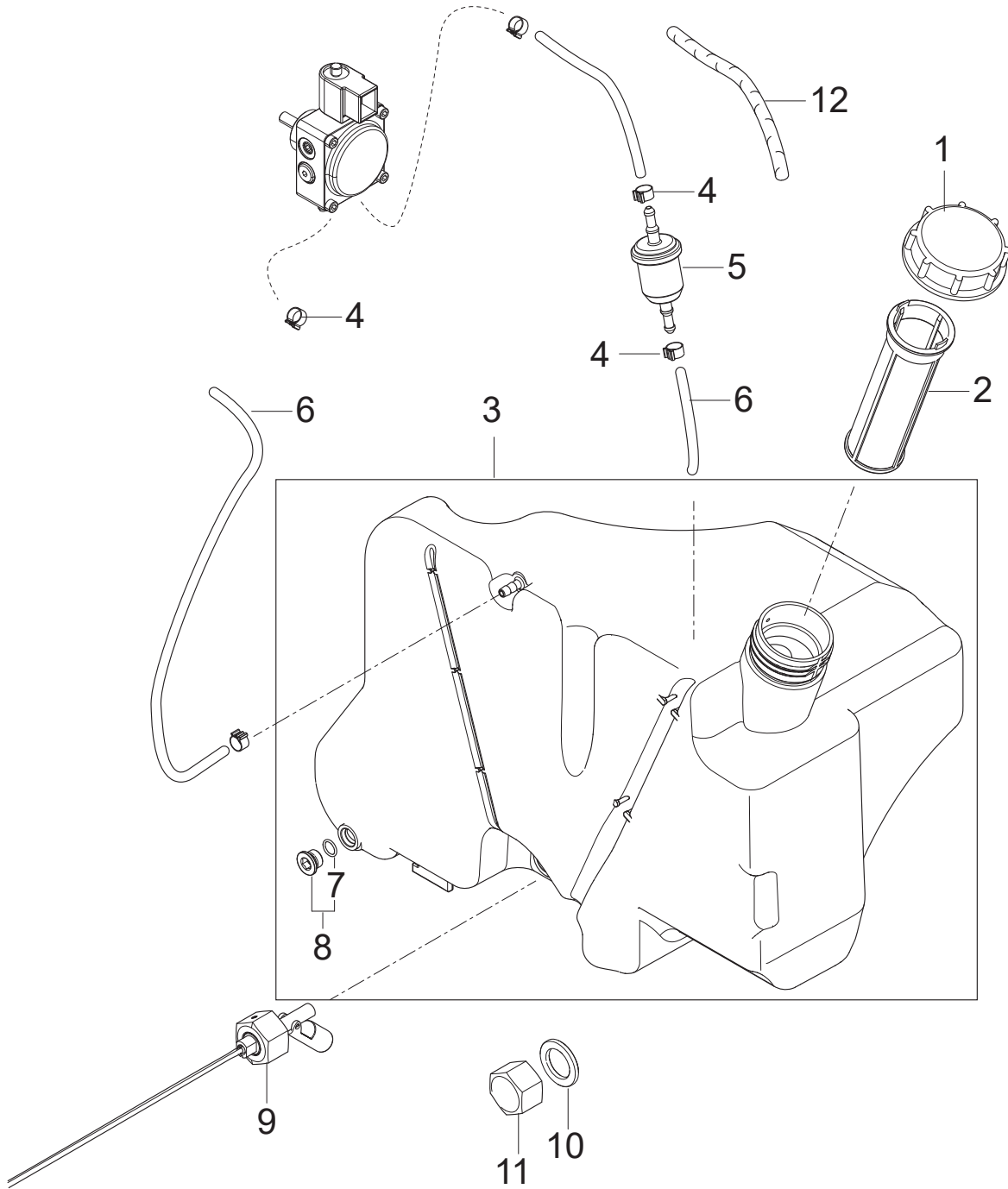
- [1] - JP, EXPT  
 [2] - MH 3C



Pos.	Artikel-Nr.	Menge	Variante	Notes
1	107143115	1	PIPE FLOW CONTROL PA/BOILER B2-B2.5	
2	107143122	1	THREADED CONNECTION D12X1/2 INCH	
3	101117798	1	Magnetgehäuse komplett	
4	107143121	1	REED SWITCH NO W/CABLE	
5	101118033	2	SCREW M3X6 BRASS	
6a	1821	1	Verbindungsstück	
6b	3001740	1	O-RING 7.66X1.78 NITRIL 70SH	
7	1803493	1	Dichtungsscheibe	
8	101118290	1	OPENING PRESSURE VALVE 146 BAR KIT	[1]
8	101118292	1	OPENING PRESSURE VALVE 250 BAR KIT	[2]
9	1801075	1	Dichtring	
10	1601079	1	Verbindungsstück	
11	107143118	1	PIPE MPU/FLOW CONTROL NA4 PA	[3]
11	107143119	1	PIPE MPU/FLOW CONTROL NA5-PA/B2-B2.5	[4]
12	11654	2	Schlauchklemme 11,5	
13	101406100	1	Schlauch 6x3 mm x 5 m	
14	101118306	1	FLOW CONTROL HOUSING PA	

## Part Notes:

- [1] - MH 4M-100/680
- [2] - MH 4M-210/1000
- [3] - MH3
- [4] - MH4



Pos.	Artikel-Nr.	Menge	Variante	Notes
1	107143034	1	FUEL TANK LID - RED	
2	107144862	1	Tankfilter Ø49,5X140	
3	107143035	1	FUEL TANK 15L	
4	301001133	6	Schlauchklemme 10/7	
5	301002926	1	Filter 101X36.5X6 KU	
6	106408244	1	HOSE D6X2.5 - 5 METERS	
7	3000072	1	O-Ring 10,1 X 1,6 SMS	
8	6180906	1	Verschlussschraube	[1]
9	107143033	1	LEVEL SENSOR FUEL TANK	
10	3001237	1	Dichtung	[2]
11	107143113	1	END CAP 3/4	[2]
12	107143164	1	BEND PROTECTOR	[3]

Part Notes:

- [1] - STOCK COVERS GUARANTEE
- [2] - MH3/FAL
- [3] - DE TSB-PPW-2017-006 MH 3, 4, 5, 6, 7 Kraftstoffschlauch kann durch zu st...  
TSB-PPW-2017-006 MH 3, 4, 5, 6, 7 Fuel hose can bend and block for fuel



## heupel Reinigungstechnik GmbH

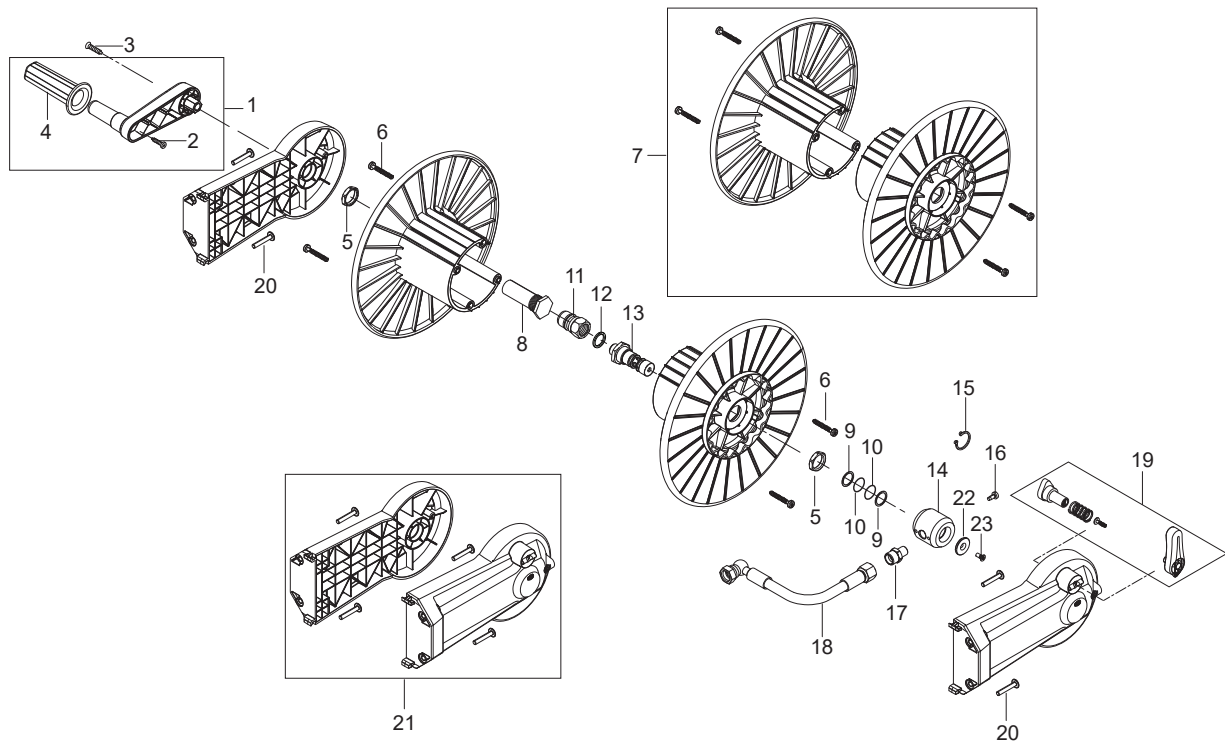
Gottlieb Daimler Str. 6  
88214 Ravensburg

Tel: (049) 0751 - 35905-3  
Fax: (049) 0751 - 35905-59

email: [info@heupel-gmbh.de](mailto:info@heupel-gmbh.de)  
[www.heupel-gmbh.de](http://www.heupel-gmbh.de)

**Shop: [www.heupel-shop.de](http://www.heupel-shop.de)**

Heupel - Reinigungstechnik - Beratung, Verkauf, Service, alles aus einer Hand.

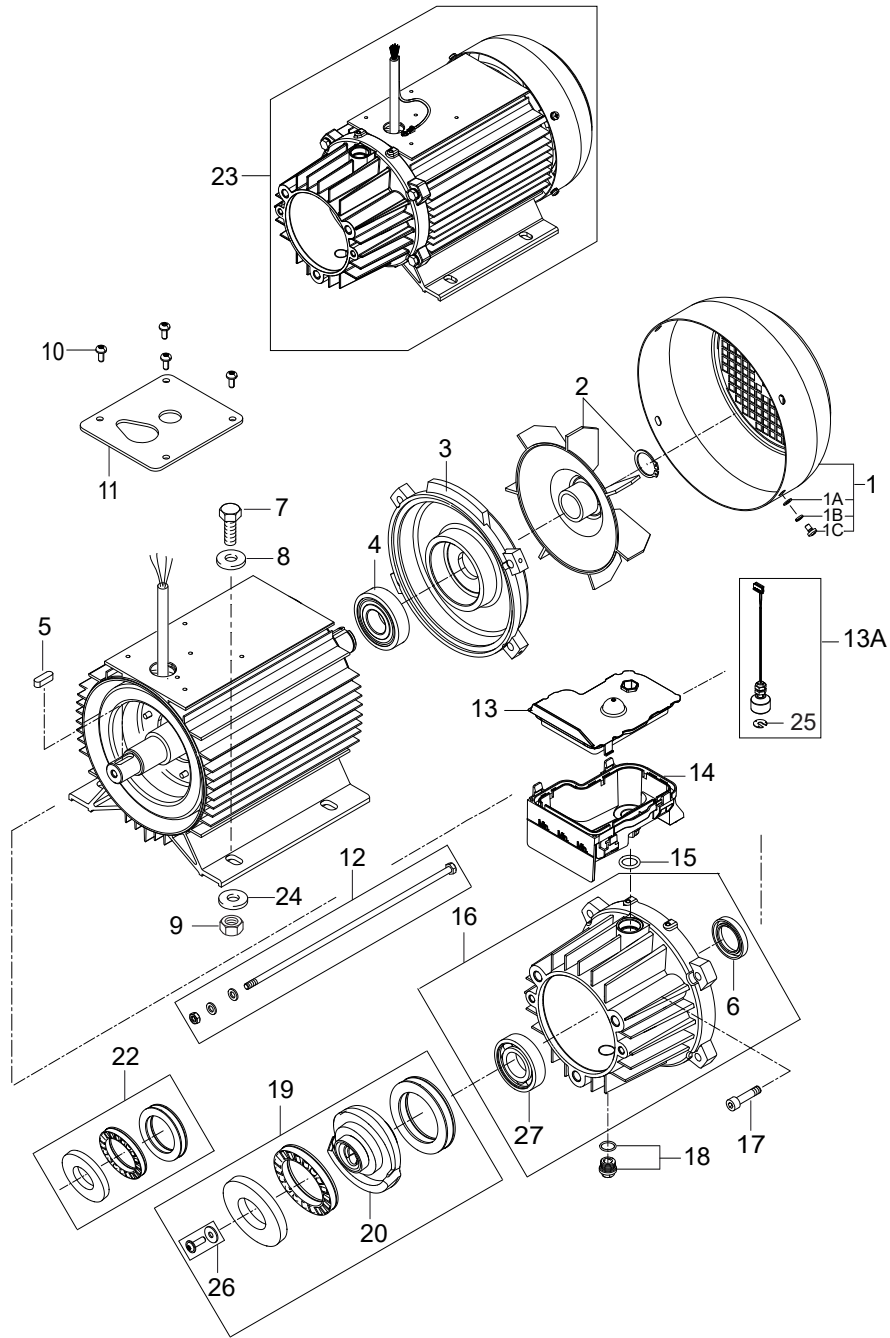


Pos.	Artikel-Nr.	Menge	Variante	Notes
0	106403184	1	Schlauchtrommel CAP 20M DN8	
1	101118215	1	HANDLE FOR HOSE REEL NILFISK	
2	107141838	2	SCHRAUBE K50X18 WN1451 SCHWARZ TORX 20	
3	107141673	1	Schraube M6x45	
4	107143007	1	ROTATING HANDLE FOR HOSE REEL NILFISK	
5	62696	2	Sechskantmutter M24x1,5x	
6	909100153	4	Schraube 6x40	
7	101118209	1	HOSE REEL SIDE KIT	
8	107141675	1	Achse	
9	107143017	2	BACK-UP RING	
10	19620	2	O-Ring 15,54x2,62	
11	1600493	1	Anschlussstück	
12	1801075	1	Dichtring	
13	107143123	1	SWIVEL FOR HOSE REEL	
14	101118317	1	BEARING BUSH KIT	[1]
15	1802057	1	Seegerring U 20 x1,2	[2]
16	107141690	1	Linsenschraube DIN7985-M5x12-8.8	
17	54590	2	Anschlussstück	
18	107143114	1	CONNECTION HOSE DN8 FOR HOSE REEL	
19	101118212	1	020KE HANDLE FOR HOSE REEL NILFISK KIT	
20	107143010	4	SCREW M6X35	
21	101118208	1	HOSE REEL ADAPTOR KIT	
22	107143125	1	WASHER 25 FOR COUNTERSUNK M5	[3]
23	107143124	1	COUNTERSUNK M5X12 ISO 14581	[3]
		1	Mounting instr. for Hose Reel Nilfisk	[4]

Part Notes:

- [1] - TSB-PPW-2019-005 MH Hose Reel Screw 107143124 can break  
DE TSB-PPW-2019-005 MH Schlauchtrommel Schraube 107143124 kann brechen  
TSB-PPW-2019-005 vis cassée à l'enrouleur des MH
- [2] - Up to 07.2016
- [3] - TSB-PPW-2016-018 MH 4M Hose Reel Circlip
- [4] - Mounting instructions MH Nilfisk hose reel



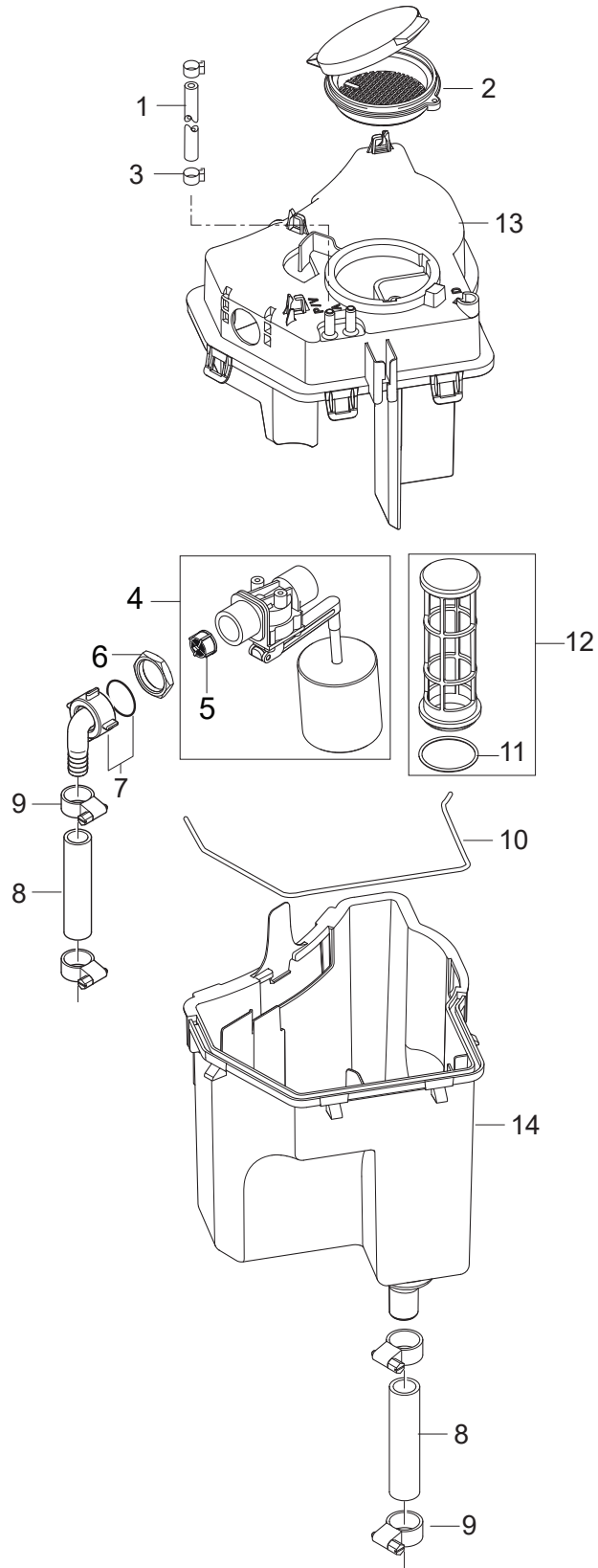


Pos.	Artikel-Nr.	Menge	Variante	Notes
	31001229	1	OIL ISO 150 ALPHASYN-T 20L	
0	5218433	1	Pumpenöl 150 1x1l	[1]
1	107144126	1	Lüfterhaube	
1A	2763	4	Scheibe 5,3x1,0 ISO 7089 zn	
1B		4	Spring washer Ø5	
1C	1813781	4	Schraube M5x8 7985 St-zn	
2	107144125	1	Lüfterrad	
3	31000148	1	Lagerdeckel	
4	31000149	1	Lager RF	
5	19639	1	Passfeder A 8x7x25	
6	G120414	1	Dichtring Ø30XØ47X7	
7	1801133	4	Schraube M10X25	
8	2767	4	Scheibe 10,5x2,0 ISO 7090 zn	
9	8952	4	Sechskantmutter M10 ISO 7042 zn	
10	107140881	4	SCREW M5X12 DIN 7985 TORX	
11	107140875	1	Dichtung	[2]
12	31000505	1	Schraube M8x290	
12	31000504	1	Schraube M8x265	
13	107140877	1	Deckel	
13A	101118173	1	OIL SENSOR W/PLUG KIT	[3]
14	107143094	1	OIL CONTAINER BOTTOM	
15	107140882	1	O-Ring 15,0 x 3,0	
16	107141967	1	D-BEARING COVER COMPLETE NA5.2	
17	107144142	4	Schraube für Pumpengehäus	
18	107141982	1	OIL PLUG W/O-RING AND MAGNET NA5.2	
19	101118249	1	WOBBLE DISC 7.2 DEG. BEARING KIT NA5.2	[4]
19	101118248	1	WOBBLE DISC 7.74 DEG. BEARING KIT NA5.2	[5]
19	101118246	1	WOBBLE DISC 8.4 DEG. BEARING KIT NA5.2	[6]
19	101118247	1	WOBBLE DISC 8.7 DEG. BEARING KIT NA5.2	[7]
19	101118245	1	WOBBLE DISC 9.15 DEG. BEARING KIT NA5.2	[8]
19	101118244	1	WOBBLE DISC 9.85 DEG. BEARING KIT NA5.2	[9]
19	101118243	1	WOBBLE DISC 10.2 DEG. BEARING KIT NA5.2	[10]
19	101118242	1	WOBBLE DISC 10.9 DEG. BEARING KIT NA5.2	[11]
20	107143108	1	WOBBLE DISC 7.2 DEG. NA5.2	[4]
20	107141990	1	WOBBLE DISC 7.74 DEG. NA5.2	[5]
20	107141961	1	WOBBLE DISC 8.4 DEG. NA5.2	[12]
20	107141962	1	WOBBLE DISC 8.7 DEG. NA5.2	[7]
20	107141963	1	Taumelscheibe NA5.2	[8]
20	107143109	1	WOBBLE DISC 9.85 DEG. NA5.2	[9]
20	107141964	1	WOBBLE DISC 10.2 DEG. NA5.2	[13]
20	107141965	1	WOBBLE DISC 10.9 DEG. NA5.2	[11]
21	101118264	1	MPU NA5.2 PA 5.5KW/400V/50HZ/3PH/10.9DEG	[14]
22	101118240	1	BEARING KIT FA PA - NA5.2	
23	107141954	1	MOTOR 5.5 KW 220/230-400/440/3/50/60 EU	[15]
23	107141955	1	MOTOR 5.2 KW/220/1 60HZ 5-52 US	[16]
23	107141956	1	MOTOR 2.2 KW/230/1 50HZ	[17]
23	107141957	1	MOTOR 4KW 200/3/50-60HZ JP 5-47 JP	[18]
23	107141958	1	MOTOR 4KW 230-400/220-440 3/50-60HZ NA5	[19]
24	4827	4	Scheibe 10,5x2,5 A ISO 7093-1 zn	
25	107142593	1	HOLDING WASHER PE	[20]
26	107142658	1	NA5.2 WD SCREW AND WASHER	
27	107144817	1	BEARING KBC 6206 GB/T818	

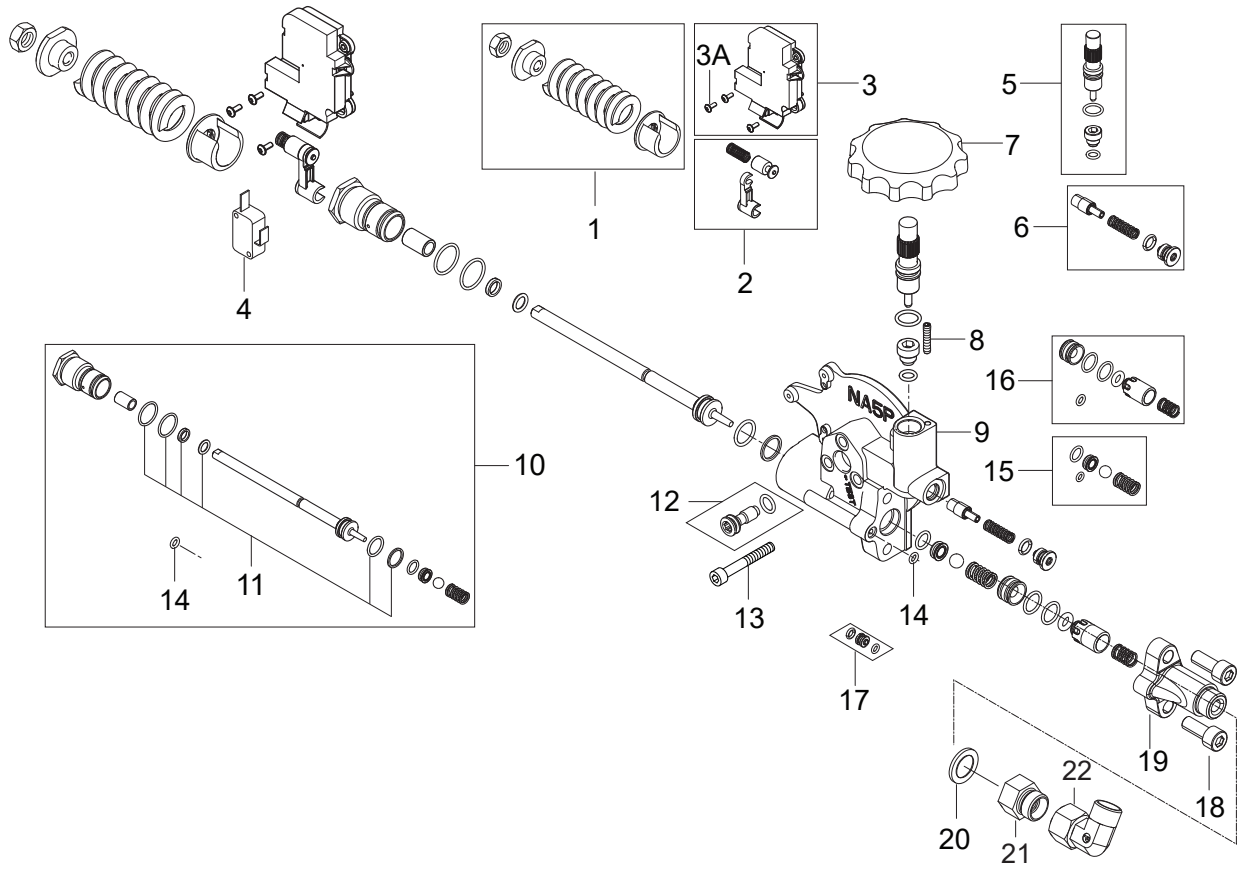
## Part Notes:

- [1] - 0,75L - OIL TYPES\_QUANTITY for HPW\_APRIL 2017
- [2] - TSB-PPW-2018-012 NA5\_NA6 mpu. Water enters into the stator.
- [3] - MI 107309166 JST Connector
- [4] - Machine no. 107146910, MH 4M-100/680 PA, 107146911 - MH 4M-100/680 PAX
- [5] - Machine no. 107146915 MH 4M-130/720 FA, 107146933 MH 4M-100/720 FA, 107146914 MH 4M-2800/3,8

- 
- [6] - Machine no. 107146919 MH 4M-180/890 FA 200/3/60 JP
  - [7] - Machine no. 107146924 MH 4M-200/960, 107146914 MH 4M-3000/4,2 US
  - [8] - Machine no. 107146916 MH 4M-180/860, 107146917 MH 4M-180/860
  - [9] - Machine no. 107146918 MH 4M-180/890 FA 200/3/50 JP
  - [10] - Machine no. 107146920, 107146921, 107146922, 10714923, 107146934 - MH 4M-200/960 FA
  - [11] - Machine no. 107146912 MH 4M-210/1000 PA, 107146938 MH 4M-220/1000 FA, 107146940 MH 4M-220/1000 FAX
  - [12] - Machine no. 107146919 MH 4M-180/890 FA 200/3/60 JP
  - [13] - Machine no. 107146920, 107146921, 107146922, 10714923, 107146934 - MH 4M-200/960 FA
  - [14] - MH 4M-210/1000 PAX EU
  - [15] - MH 4M-200/960 FA, MH 4M-210/1000 PAX, MH 4M-220/1000 FA  
Also order Gasket for motor, 107140875
  - [16] - Also order Gasket for motor, 107140875
  - [17] - MH 4M-130/720 FA, MH 4M-100/720 FA, MH 4M-100/680 PA  
Also order Gasket for motor, 107140875
  - [18] - MH 4M-180/890 FA JP  
Also order Gasket for motor, 107140875
  - [19] - MH 4M-180/860 FA, MH 4M-180/860 FAL  
Also order Gasket for motor, 107140875
  - [20] - TSB-PPW-2016-017 Locking ring for oil level switch falling off



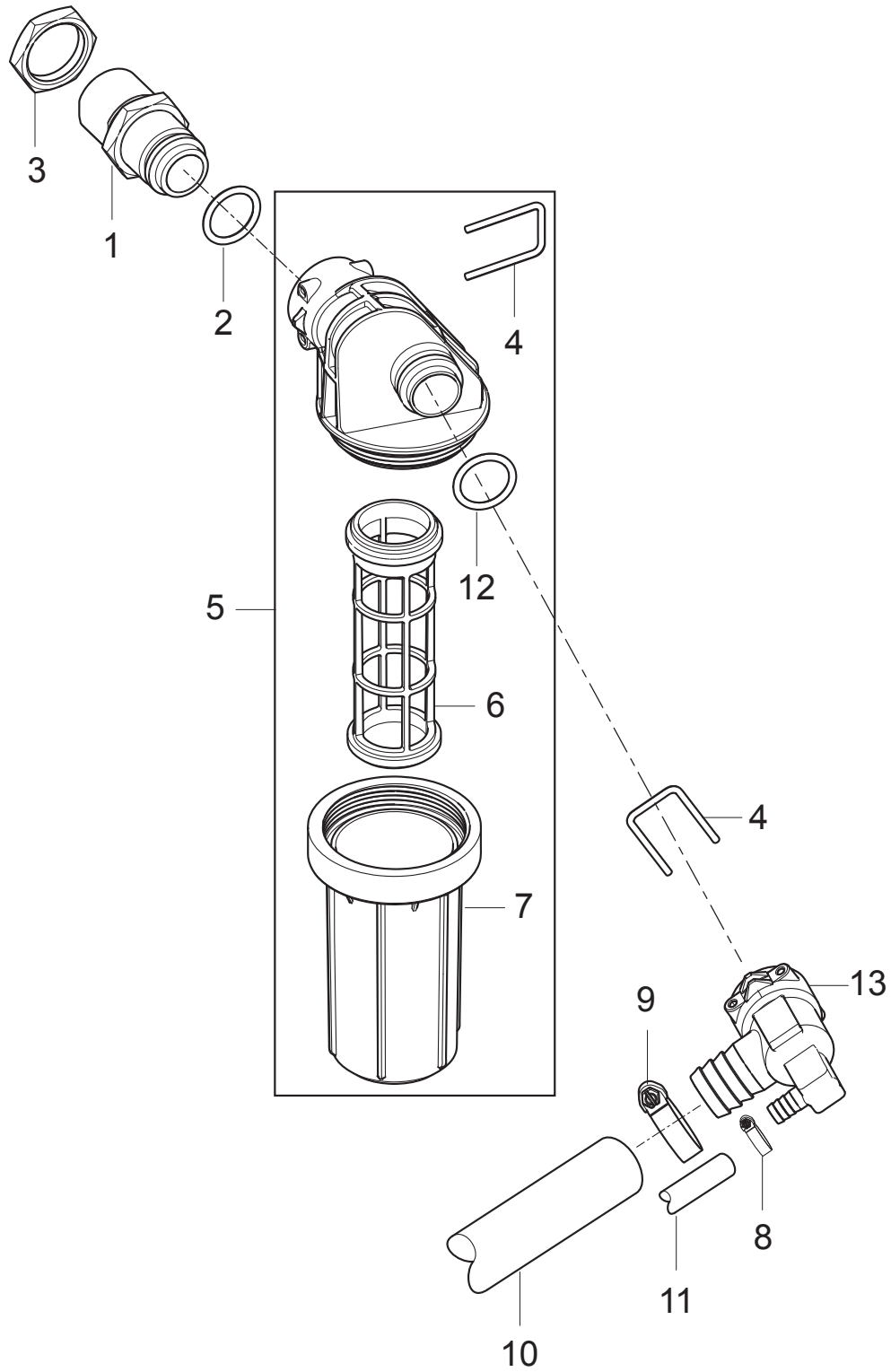
Pos.	Artikel-Nr.	Menge	Variante	Notes
1	101406100	1	Schlauch 6x3 mm x 5 m	
2	301000561	1	Deckel RP-Behälter	
3	301001133	2	Schlauchklemme 10/7	
4	101117784	1	Schwimmventil	
5	34218	1	Filter Ø19 KU	
6	1800341	1	Gegenmutter 3/4	
7	107143084	1	HOSE COUPLING 90° 20X3/4 PP W/NUT/GASKET	
8	107143031	1	FUELFLEX HOSE D28/D20 10BAR/20°	
9	8298	4	Schlauchschele SGL 16-27	
10	101406054	1	Dichtung	
11	107143032	1	O-RING D30X2 SHORE70 NBR BLACK	
12	106403194	1	FILTER FOR WATER BREAK TANK ACCESSORY	
13	107143060	1	COVER FOR WATER TANK	
14	107143030	1	WATER BREAK TANK	



Pos.	Artikel-Nr.	Menge	Variante	Notes
1	101118091	1	Feder	
2	101118090	1	MICROSW. ACTIVATION REP. KIT NA5 PA	
3	101118084	1	Schaltergehäuse	
3A	107141515	3	SCREW M3X8 ISO7380 FZG TORX 10	
4	101118188	1	MICRO-SWITCH KIT	
5	101118313	1	FLOW REGULATION VALVE KIT	[1]
6	101118315	1	PRESSURE BUILD UP VALVE LOW FLOW KIT	[2]
6	101118314	1	PRESSURE BUILD UP VALVE HIGH FLOW KIT	[3]
7	107143003	1	Einstellknopf NA5/NA6	
8	106408188	1	DIN 913 M4X20 POINTED SCREW	
9	107140884	1	UNLOADER PA NA5	[4]
10	101118294	1	STEM + SEALING REP. KIT NA5/5.2/6/6+ PA	[5]
11	101118083	1	Reparatursatz Steuerkolben	
12	107144137	1	Stopfen	
13	5100	3	Zylinderschraube M6x45	
14	107141514	1	O-RING D4 X D1.5 NBR 90	
15	101118295	1	BYPASS VALVE REP. KIT NA5.2 PA	[5]
16	101118254	1	HOLDING PRESS.V.REP. KIT NA5.2PA - UK AU	[5]
17	101118316	1	DAMPER SEAT WITH O-RING KIT	[6]
18	8894	2	Schraube M8 x 20 8.8	
19	107143110	1	NA5 PA OUTLET MACHINED	
20	107143107	1	PACKING RING D23.8XD17.28X2	
21	107143090	1	ADAPTOR IN 3/8 OUT M18X1.5	
22	101118094	1	Kupplungssatz 90D ISO	

## Part Notes:

- [1] - TSB-PPW-2020-001 MH 4\_MH 5M Damper Valve removed  
DE TSB-PPW-2020-001 MH 4 MH 5M Dämpferkolben entfernt
- [2] - MH 4M-100/680 PA 230/1/50 UK  
  
TSB-PPW-2020-001 MH 4\_MH 5M Damper Valve removed  
DE TSB-PPW-2020-001 MH 4 MH 5M Dämpferkolben entfernt
- [3] - MH 4M-210/1000 PAX 400/3/50 EU  
  
TSB-PPW-2020-001 MH 4\_MH 5M Damper Valve removed  
DE TSB-PPW-2020-001 MH 4 MH 5M Dämpferkolben entfernt
- [4] - TSB-PPW-2020-001 MH 4\_MH 5M Damper Valve removed  
DE TSB-PPW-2020-001 MH 4 MH 5M Dämpferkolben entfernt  
TSB-PPW-2020-001 MH 4M5M\_ MC 5M machine en version PA. Supression de l'anti bélier
- [5] - TSB-PPW-2017-005 Low pressure—Unloader valve for NA5.2 pump can leak internally
- [6] - Only for MH 4M and MH 5M single phase UK machines  
  
TSB-PPW-2020-001 MH 4\_MH 5M Damper Valve removed  
DE TSB-PPW-2020-001 MH 4 MH 5M Dämpferkolben entfernt  
TSB-PPW-2020-001 MH 4M5M\_ MC 5M machine en version PA. Supression de l'anti bélier





Pos.	Artikel-Nr.	Menge	Variante	Notes
1	107143086	1	FITTING FOR WATER INLET	
2	107143088	2	O-RING 18.72X2.62	
3	1800341	1	Gegenmutter 3/4	
4	107143085	2	LOCK PIN	
5	107144272	1	FILTER CPL. MH 5000MM2 50µ ACCESSORY	
6	31001100	1	FILTER CARTRIDGE WITHOUT FLANGE	[1]
7	31001011	1	Glas für Wasserfilter	[1]
8	11654	1	Schlauchklemme 11,5	
9	8298	1	Schlauchschele SGL 16-27	
10	107143031	1	FUELFLEX HOSE D28/D20 10BAR/20°	
11	101406100	1	Schlauch 6x3 mm x 5 m	
12	107143088	1	O-RING 18.72X2.62	
13	107143089	1	WATER INLET FITTING FOR PA	

## Part Notes:

- [1] - TSB-PPW-2020-006 Water inlet filter cartridge and filter glass improved  
 TSB-PPW-2020-06 Cartouche de filtre d'entrée d'eau et bocal de filtre amélioré  
 DE TSB-PPW-2020-006 Wasserzulauffilter Glas und Filtereinsatz verbessert



## heupel Reinigungstechnik GmbH

Gottlieb Daimler Str. 6  
 88214 Ravensburg

Tel: (049) 0751 - 35905-3  
 Fax: (049) 0751 - 35905-59

email: [info@heupel-gmbh.de](mailto:info@heupel-gmbh.de)  
[www.heupel-gmbh.de](http://www.heupel-gmbh.de)

**Shop: [www.heupel-shop.de](http://www.heupel-shop.de)**

Heupel - Reinigungstechnik - Beratung, Verkauf, Service, alles aus einer Hand.

**No  
Diagram  
Available**

**Parts List  
Only**

Pos.	Artikel-Nr.	Menge	Variante	Notes
C	107145780	1	RADKAPPE FUER RAD Ø300X65	
C	46363	1	Klemmscheibe	
C	107145637	1	RAD D300X65 (STARCO)	
C	107143304	1	Rad D250 mit Abdeckung	
B	106408244	1	HOSE D6X2.5 - 5 METERS	
A	107143630	1	INLINE FUEL FILTER SPT	
A	301002926	1	Filter 101X36.5X6 KU	
A	101117784	1	Schwimmerventil	
A	34218	1	Filter Ø19 KU	
B	106403194	1	FILTER FOR WATER BREAK TANK ACCESSORY	
B	107143033	1	LEVEL SENSOR FUEL TANK	
A	107144146	1	Pumpenöl NA5 1 Liter	
C	101118240	1	BEARING KIT FA PA - NA5.2	
C	101118242	1	WOBBLE DISC 10.9 DEG. BEARING KIT NA5.2	
C	101118243	1	WOBBLE DISC 10.2 DEG. BEARING KIT NA5.2	
C	101118244	1	WOBBLE DISC 9.85 DEG. BEARING KIT NA5.2	
C	101118245	1	WOBBLE DISC 9.15 DEG. BEARING KIT NA5.2	
C	101118247	1	WOBBLE DISC 8.7 DEG. BEARING KIT NA5.2	
C	101118246	1	WOBBLE DISC 8.4 DEG. BEARING KIT NA5.2	
C	101118248	1	WOBBLE DISC 7.74 DEG. BEARING KIT NA5.2	
C	101118249	1	WOBBLE DISC 7.2 DEG. BEARING KIT NA5.2	
C	107144125	1	Lüfterrad	
C	31000149	1	Lager RF	
C	G120414	1	Dichtring Ø30XØ47X7	
A	101118121	1	Satz Ventile	
A	101118323	1	Wasserdichtungssatz	
A	107144102	1	Dichtungssatz Kolben	
A	101118239	1	PISTON KIT - NA5.2	
A	107144104	1	Satz Feder	
A	107141968	1	CYL.SCREW M12X80 WITH NORDLOCK WASHER	
A	107141969	1	WASHER NLX12SP D12.5XD25.4X4.2MM	
A	101118084	1	Schaltergehäuse	
A	101118254	1	HOLDING PRESS.V.REP. KIT NA5.2PA - UK AU	
A	101118294	1	STEM + SEALING REP. KIT NA5/5.2/6/6+ PA	
A	101118315	1	PRESSURE BUILD UP VALVE LOW FLOW KIT	
A	101118314	1	PRESSURE BUILD UP VALVE HIGH FLOW KIT	[1]
A	101118295	1	BYPASS VALVE REP. KIT NA5.2 PA	
A	101118055	1	MAGNET AND HOUSE FOR FLOW SWITCH-KIT NA6	
A	107143121	1	REED SWITCH NO W/CABLE	
A	101117896	1	Rückschlagventil mit	
A	101118191	1	SEALING KIT FOR MALE STUD	
A	1119566	1	Reparatursatz fuer Ruecks	
A	106403194	1	FILTER FOR WATER BREAK TANK ACCESSORY	
A	31001100	1	FILTER CARTRIDGE WITHOUT FLANGE	
C	107143044	1	PCBA UI LED	
C	28877	1	Schalter	
A	107143151	1	PCBA MH	
C	107143051	1	POWER TRANSFORMER 230/400V 2X24V	
C	107143064	1	POWER TRANSFORMER 220-240V/440-460V	
C	107143068	1	POWER TRANSFORMER 115 / 200V	
B	107307326	1	ERDUNGSANSCHLUSS 6 PIN	
B	103822313	1	Schütz 100-C23KJ10	
B	103822316	1	Schütz CJX2-D32-F7 110V	
B	103822327	1	Thermorelais 12-18A	
C	107143098	1	PRIMARY CABLE FOR IGNITION COIL	
C	301002505	1	Zündkabel 7 x 500	[2]
B	107143100	1	FLAME SENSOR WITH CABLE	
C	107143033	1	LEVEL SENSOR FUEL TANK	
A	301002856	1	Öldüse 0,75 / 60	

Pos.	Artikel-Nr.	Menge	Variante	Notes
A	2802712	1	Öl Düse 1.0 GAL 60 Grad	
A	61659	1	Düse 1.25 GAL 60°	
C	101117723	1	Abgastemperaturüberwachun	
A	31001042	1	INSULATION B2.5	
A	101117684	1	Isolation kit Neptune 2	
A	101117673	1	Ölpumpe komplett	
B	3821089	1	Spule m. Mutter und Scheibe	
B	107143095	1	CABLE FOR SOLENOID VALVE 2X0.5	
A	107143123	1	SWIVEL FOR HOSE REEL	
A	62696	1	Sechskantmutter M24x1,5x	
A	107143017	1	BACK-UP RING	
A	19620	1	O-Ring 15,54x2,62	
A	1802057	1	Seegerring U 20 x1,2	

## Part Notes:

- [1] - TSB-PPW-2020-001 MH 4\_MH 5M Damper Valve removed  
 [2] - GUARANTEE DATE EXPIRED



## **heupel** Reinigungstechnik GmbH

Gottlieb Daimler Str. 6  
88214 Ravensburg

Tel: (049) 0751 - 35905-3  
Fax: (049) 0751 - 35905-59

email: [info@heupel-gmbh.de](mailto:info@heupel-gmbh.de)  
[www.heupel-gmbh.de](http://www.heupel-gmbh.de)

**Shop: [www.heupel-shop.de](http://www.heupel-shop.de)**

Heupel - Reinigungstechnik - Beratung, Verkauf, Service, alles aus einer Hand.